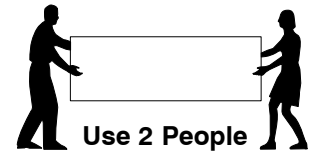
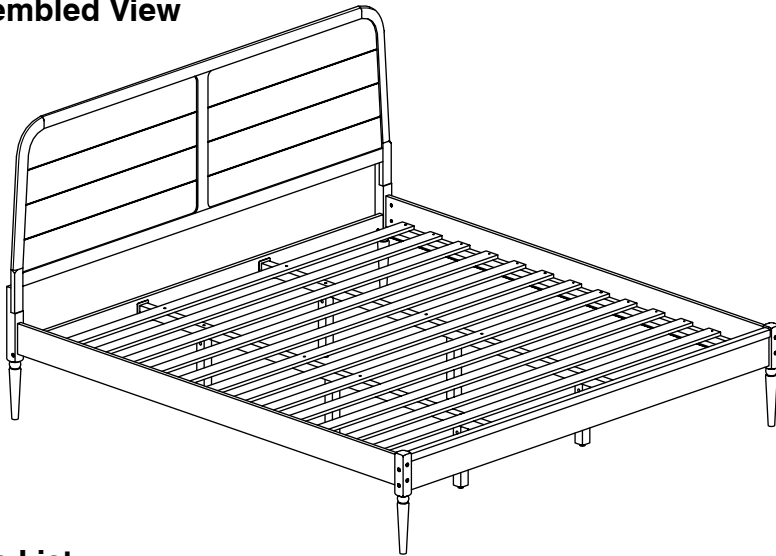


0063 King Bed

Assembly Instructions

WI-1220

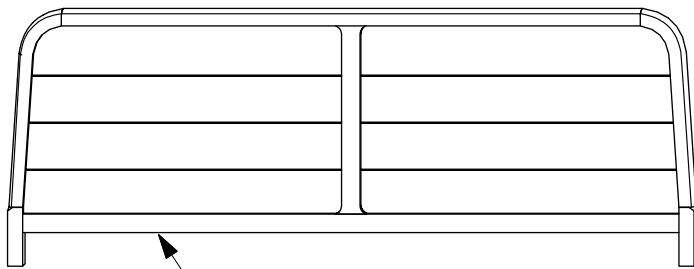
1 Assembled View



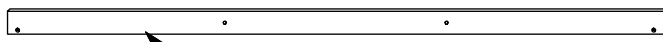
Note: Do not assemble using power tools. This can cause the bolts to be overtightened

2 Parts List

Parts in Box A:



A Headboard Panel x 1



B Headboard Support x 1

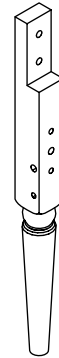
C

Headboard Post (Left Hand) x 1

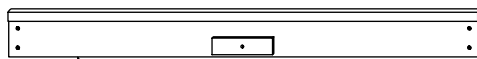


D

Headboard Post (Right Hand) x 1



Parts in Box B:



E Footboard Panel x 1

H

Footboard Post (Left Hand) x 1



J

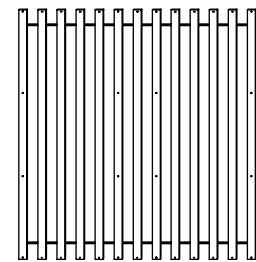
Footboard Post (Right Hand) x 1



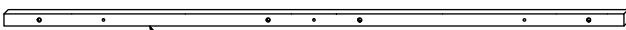
F Side Rail x 2



K Support Leg x 6



L Set of Bed Slats x 1



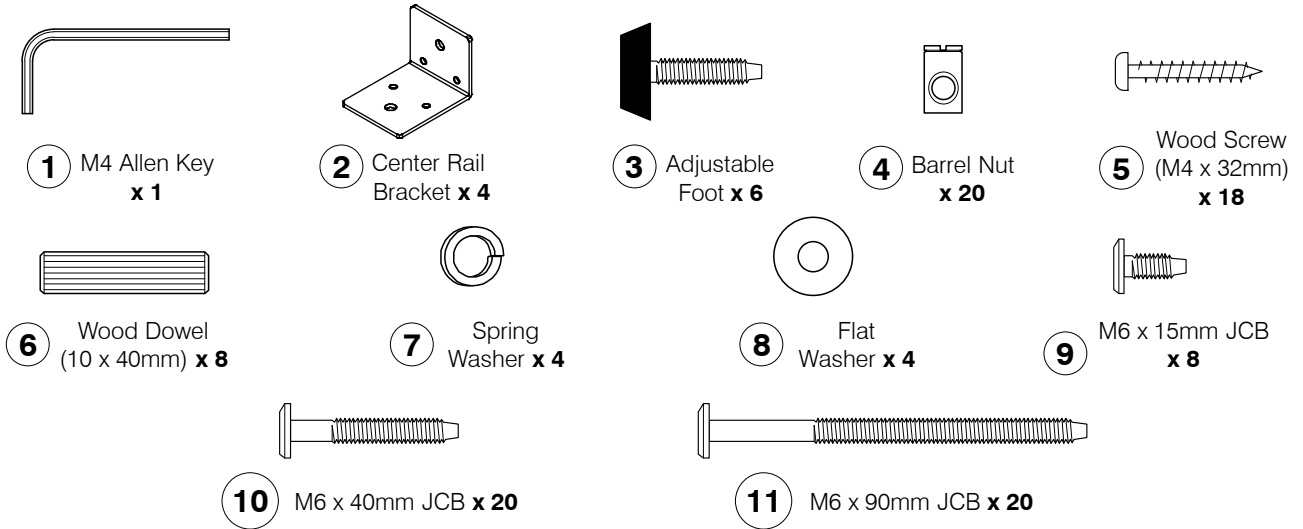
G Long Support x 2

0063 King Bed

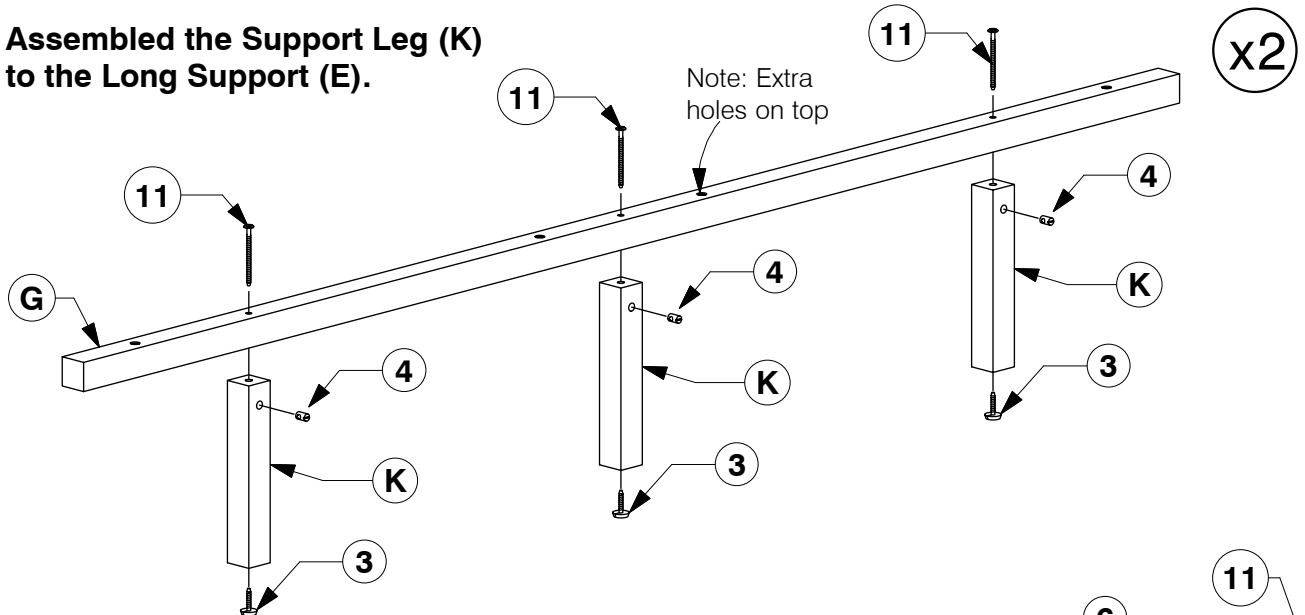
Assembly Instructions

WI-1220

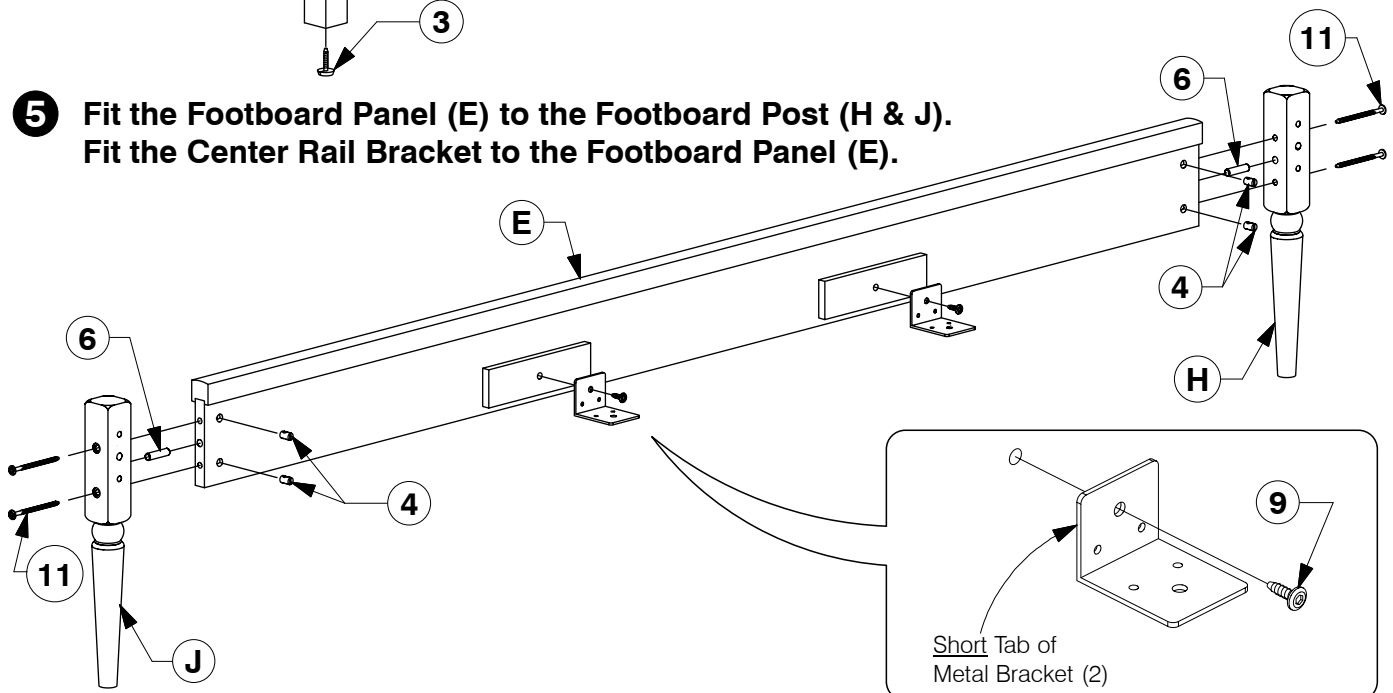
3 Hardware List



4 Assembled the Support Leg (K) to the Long Support (E).



5 Fit the Footboard Panel (E) to the Footboard Post (H & J). Fit the Center Rail Bracket to the Footboard Panel (E).

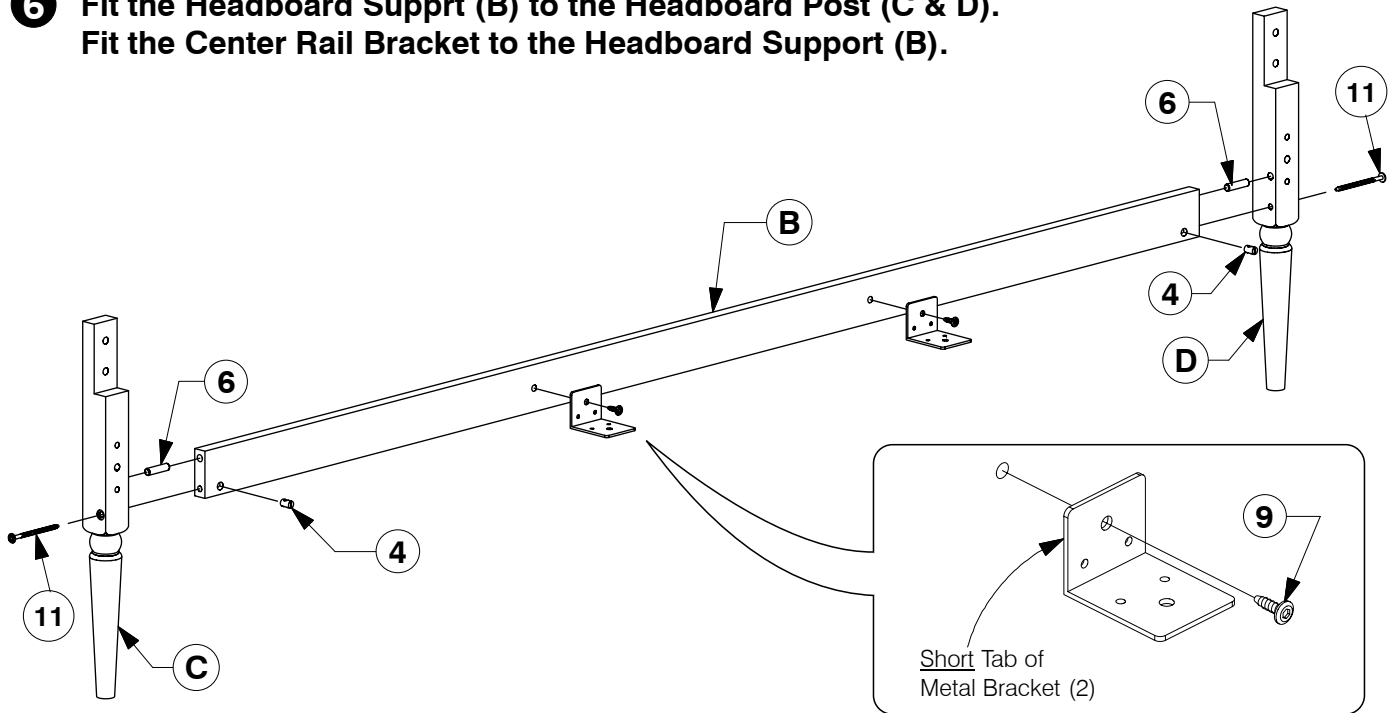


0063 King Bed

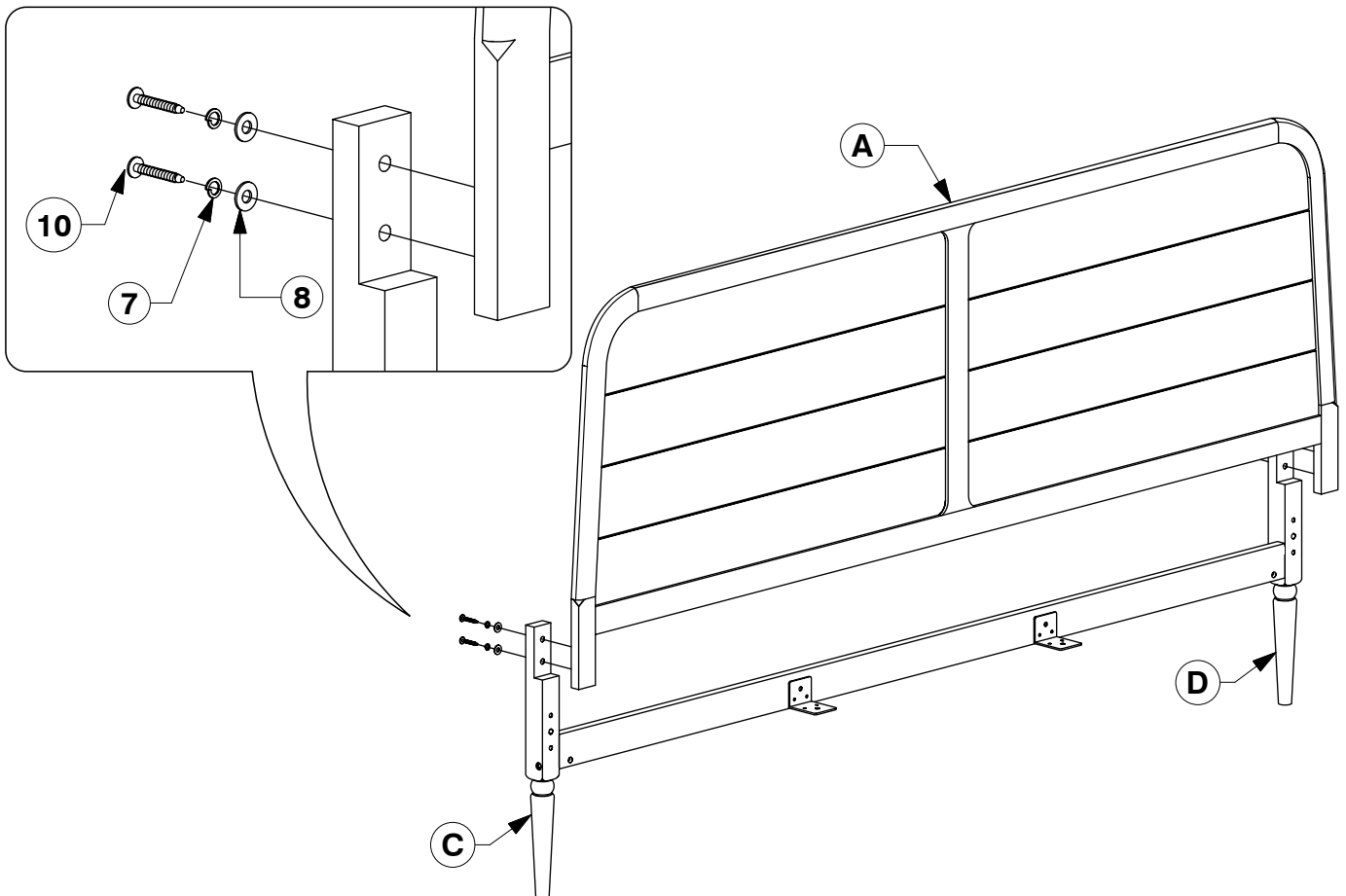
Assembly Instructions

WI-1220

- 6** Fit the Headboard Support (B) to the Headboard Post (C & D).
Fit the Center Rail Bracket to the Headboard Support (B).



- 7** Assemble the Headboard Panel (A) to the Headboard Post (C & D).

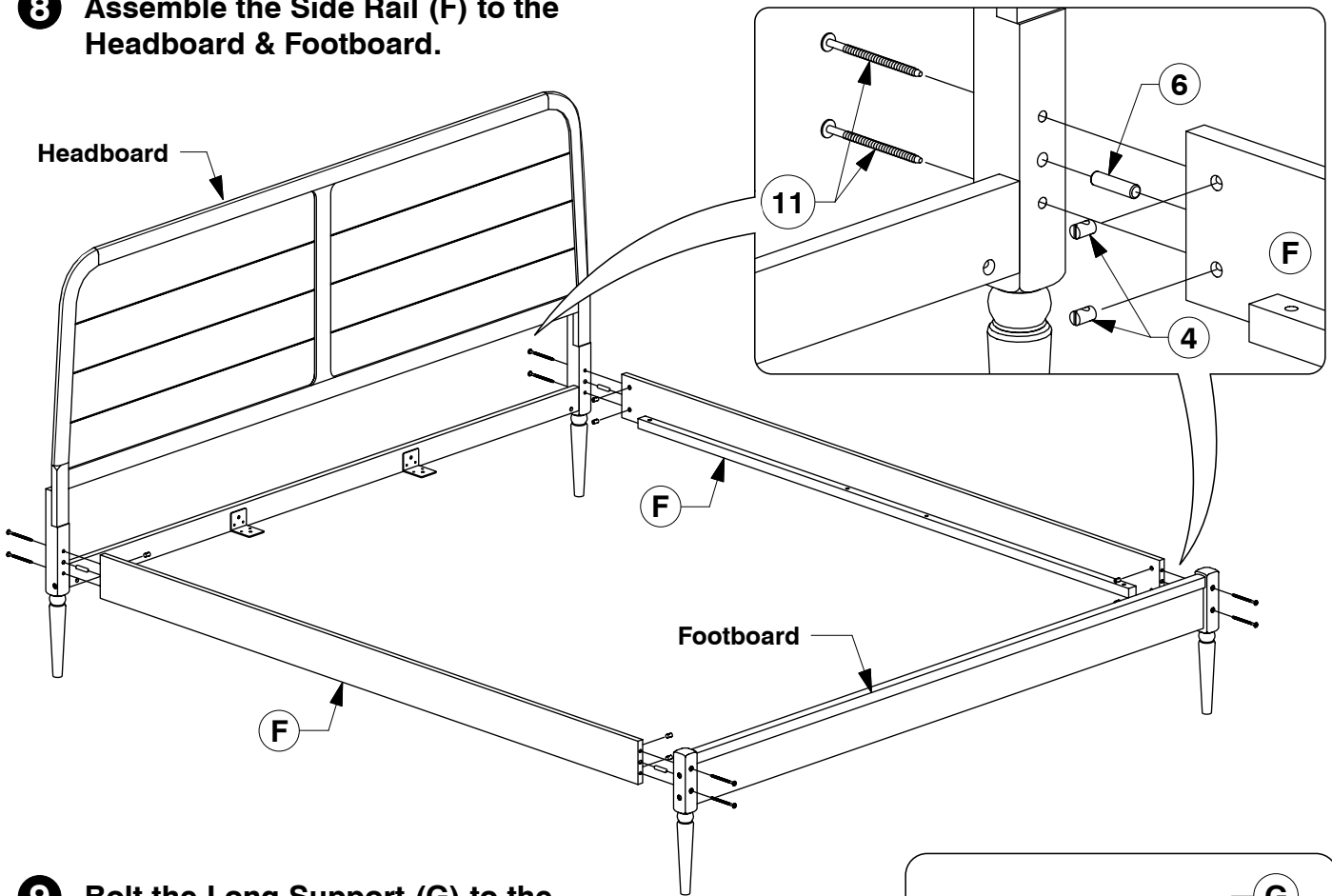


0063 King Bed

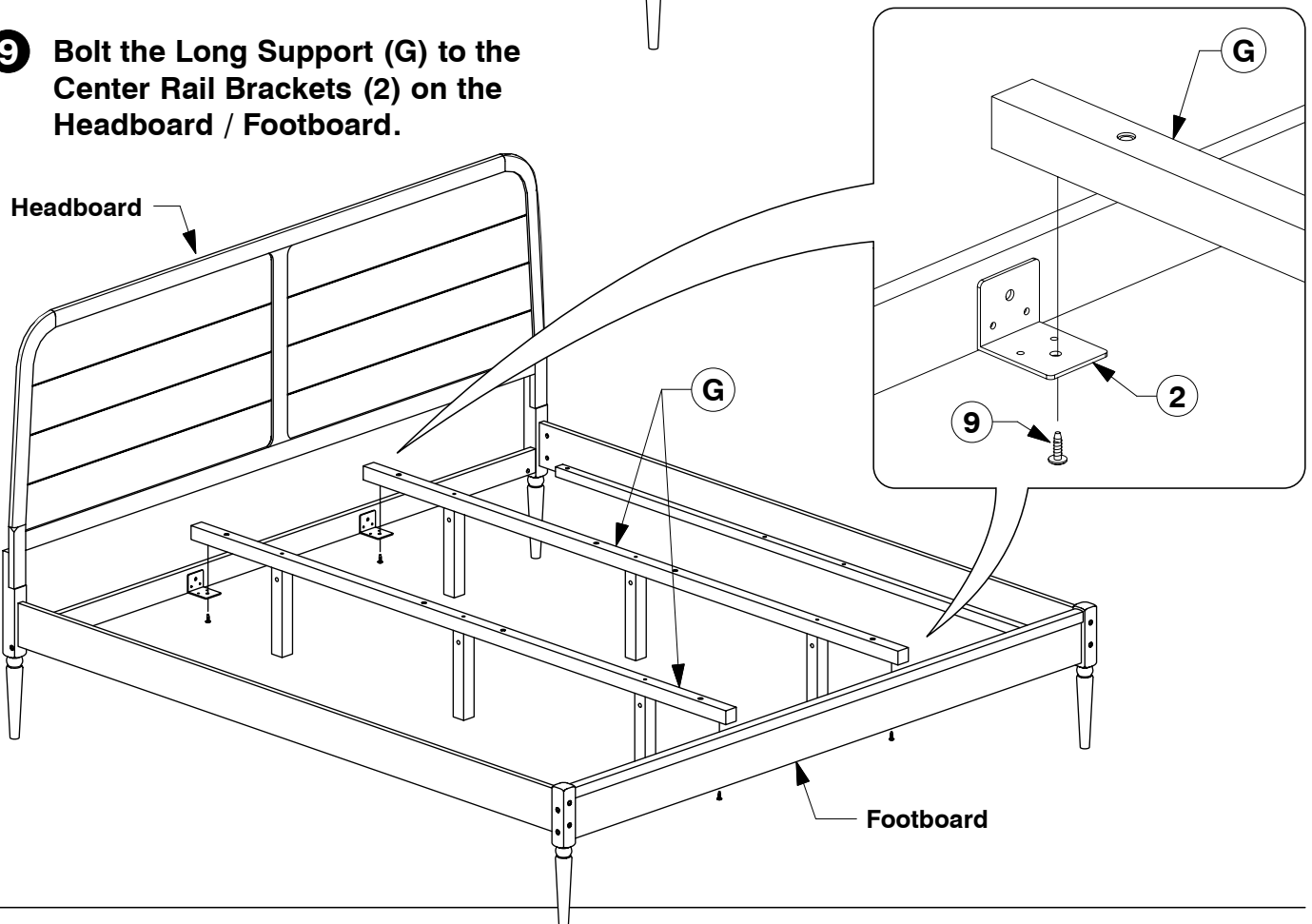
Assembly Instructions

WI-1220

8 Assemble the Side Rail (F) to the Headboard & Footboard.



9 Bolt the Long Support (G) to the Center Rail Brackets (2) on the Headboard / Footboard.

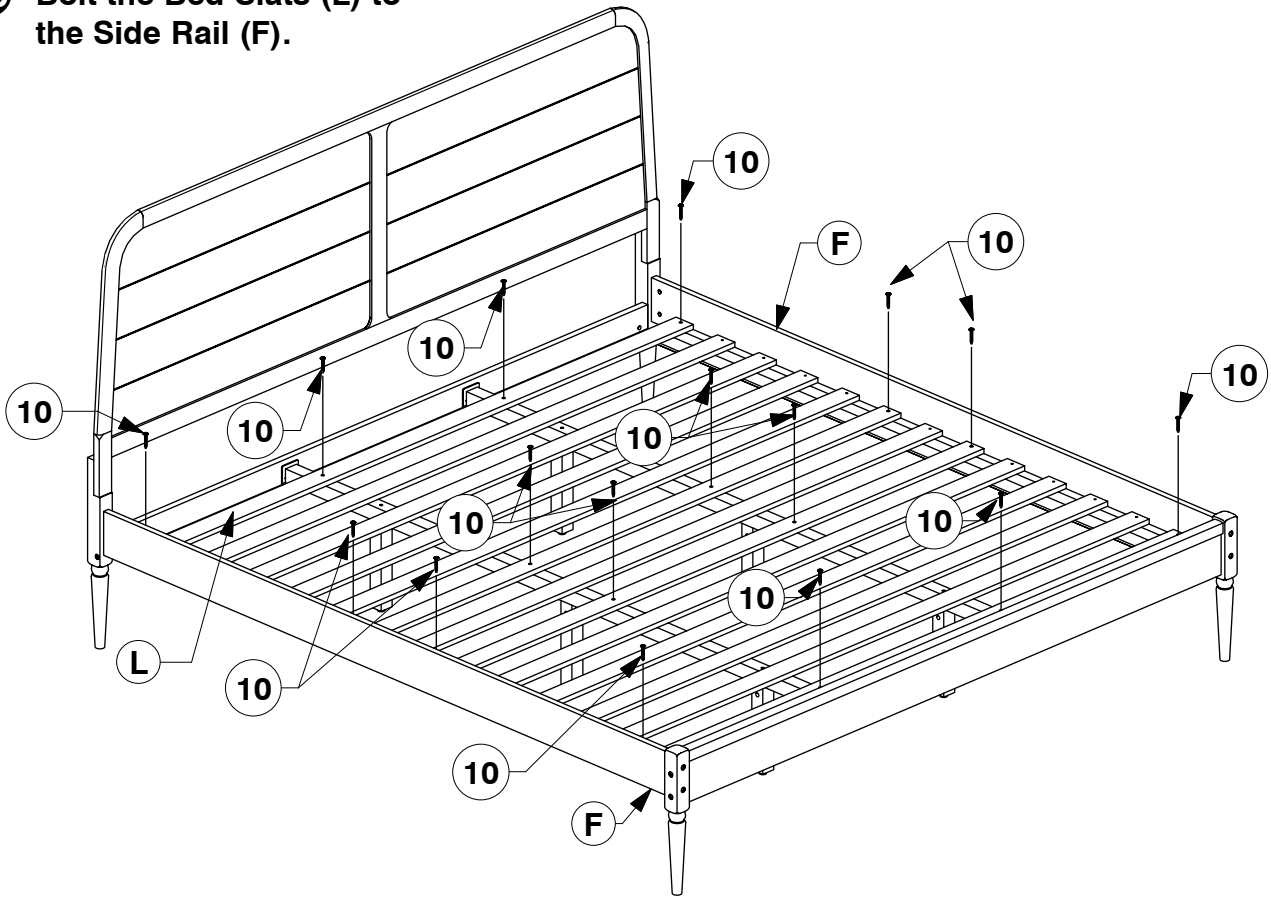


0063 King Bed

Assembly Instructions

WI-1220

- 10** Bolt the Bed Slats (L) to the Side Rail (F).



- 11** Screw the Bed Slats (L) to the Side Rail (F).

