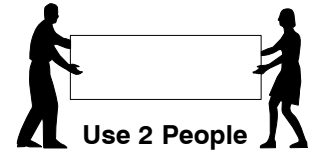
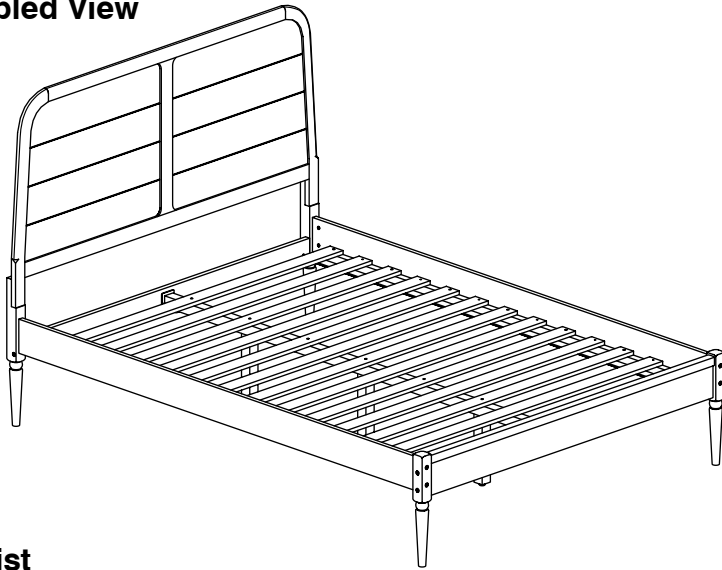


0063 Full Bed

Assembly Instructions

WI-1220

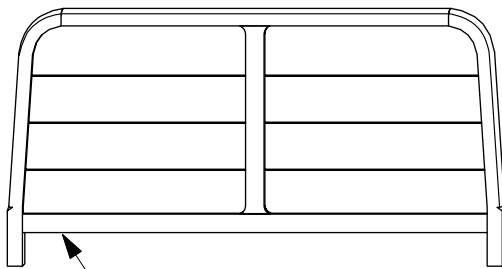
1 Assembled View



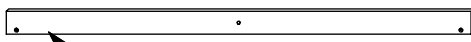
Note: Do not assemble using power tools. This can cause the bolts to be overtightened

2 Parts List

Parts in Box A:

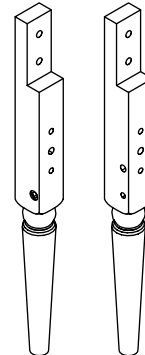


A Headboard Panel x 1



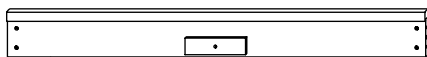
B Headboard Support x 1

C
Headboard Post (Left Hand) x 1



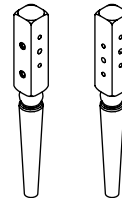
D
Headboard Post (Right Hand) x 1

Parts in Box B:



E Footboard Panel x 1

H
Footboard Post (Left Hand) x 1



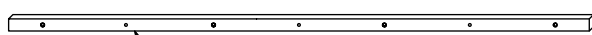
J
Footboard Post (Right Hand) x 1



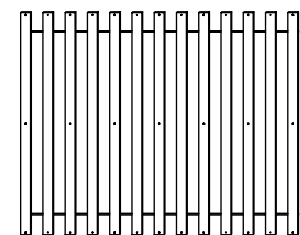
F Side Rail x 2



K
Support Leg x 3



G Long Support x 1



L Set of Bed Slats x 1

0063 Full Bed

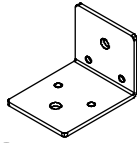
Assembly Instructions

WI-1220

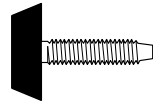
3 Hardware List



1 M4 Allen Key
x 1



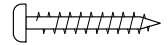
2 Center Rail
Bracket x 2



3 Adjustable
Foot x 3



4 Barrel Nut
x 17



5 Wood Screw
(M4 x 32mm)
x 12



6 Wood Dowel
(10 x 40mm)
x 8



7 Spring
Washer
x 4



8 Flat
Washer
x 4



9 M6 x
15mm JCB
x 4



10 M6 x
40mm JCB
x 22

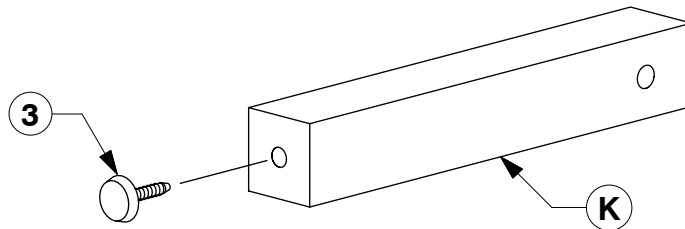


11 M6 x 90mm JCB
x 14

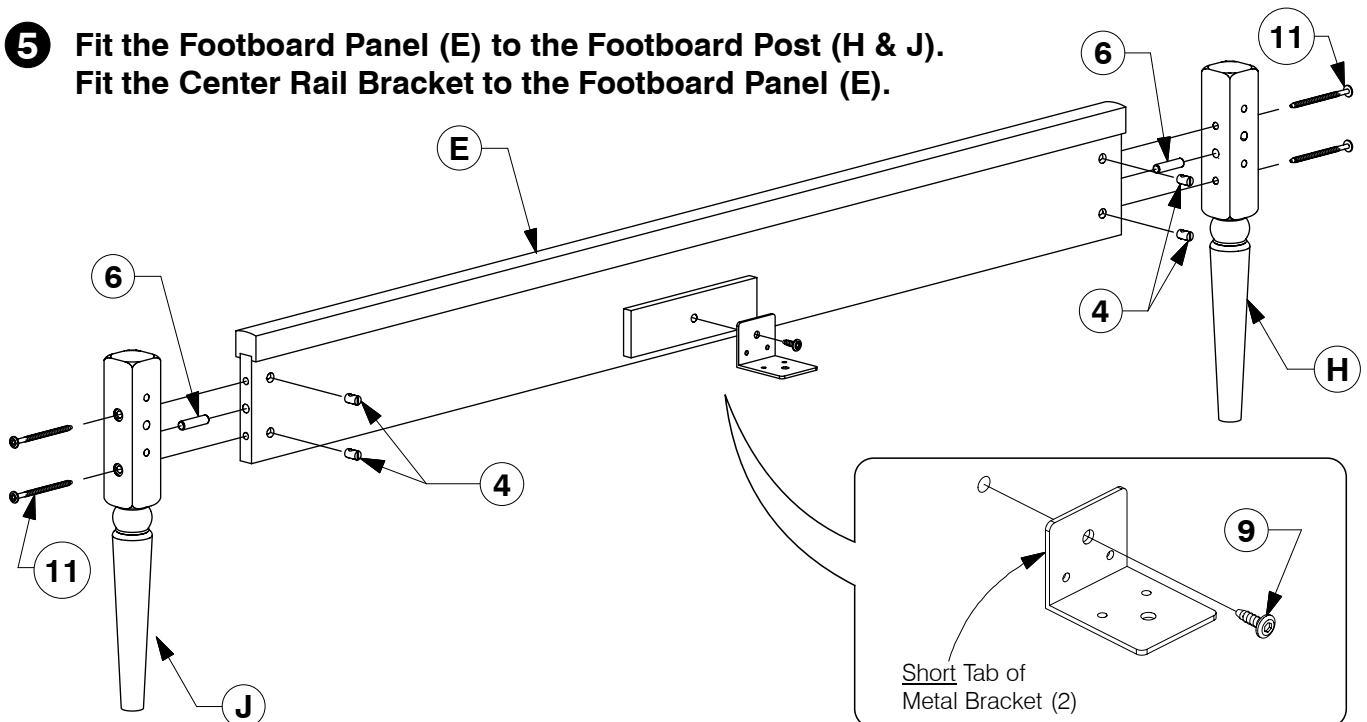


12 M6 x 100mm JCB
x 3

4 Fix the Adjustable foot to the bottom of the Support Leg (K).



5 Fit the Footboard Panel (E) to the Footboard Post (H & J). Fit the Center Rail Bracket to the Footboard Panel (E).

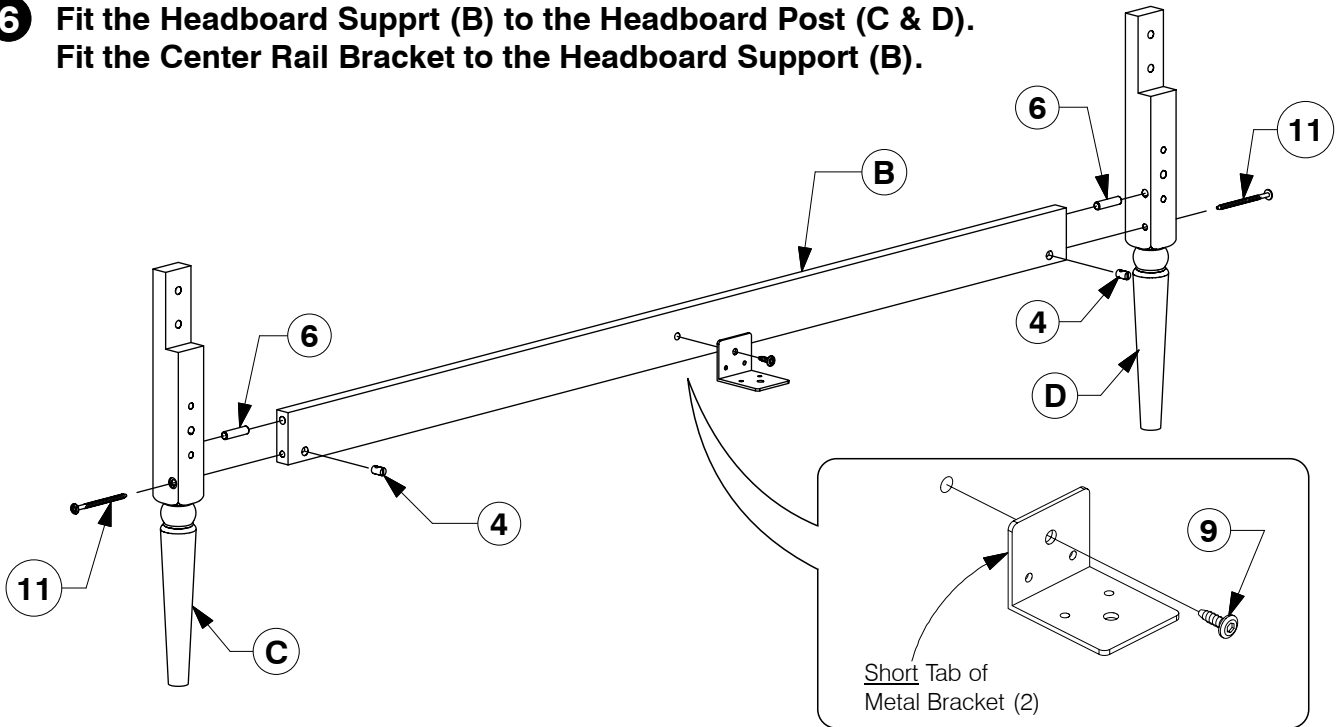


0063 Full Bed

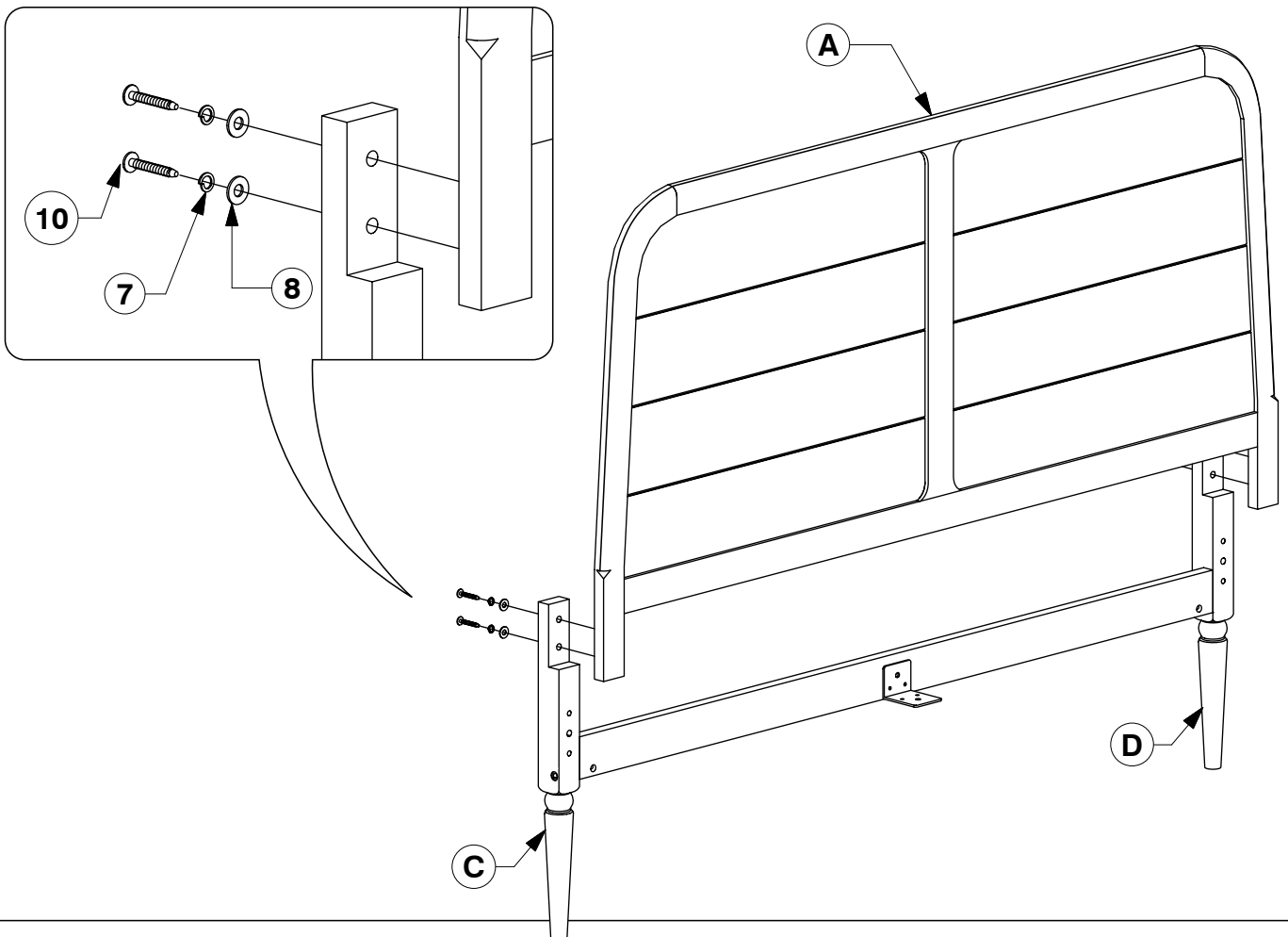
Assembly Instructions

WI-1220

- 6** Fit the Headboard Support (B) to the Headboard Post (C & D).
Fit the Center Rail Bracket to the Headboard Support (B).



- 7** Assemble the Headboard Panel (A) to the Headboard Post (C & D).

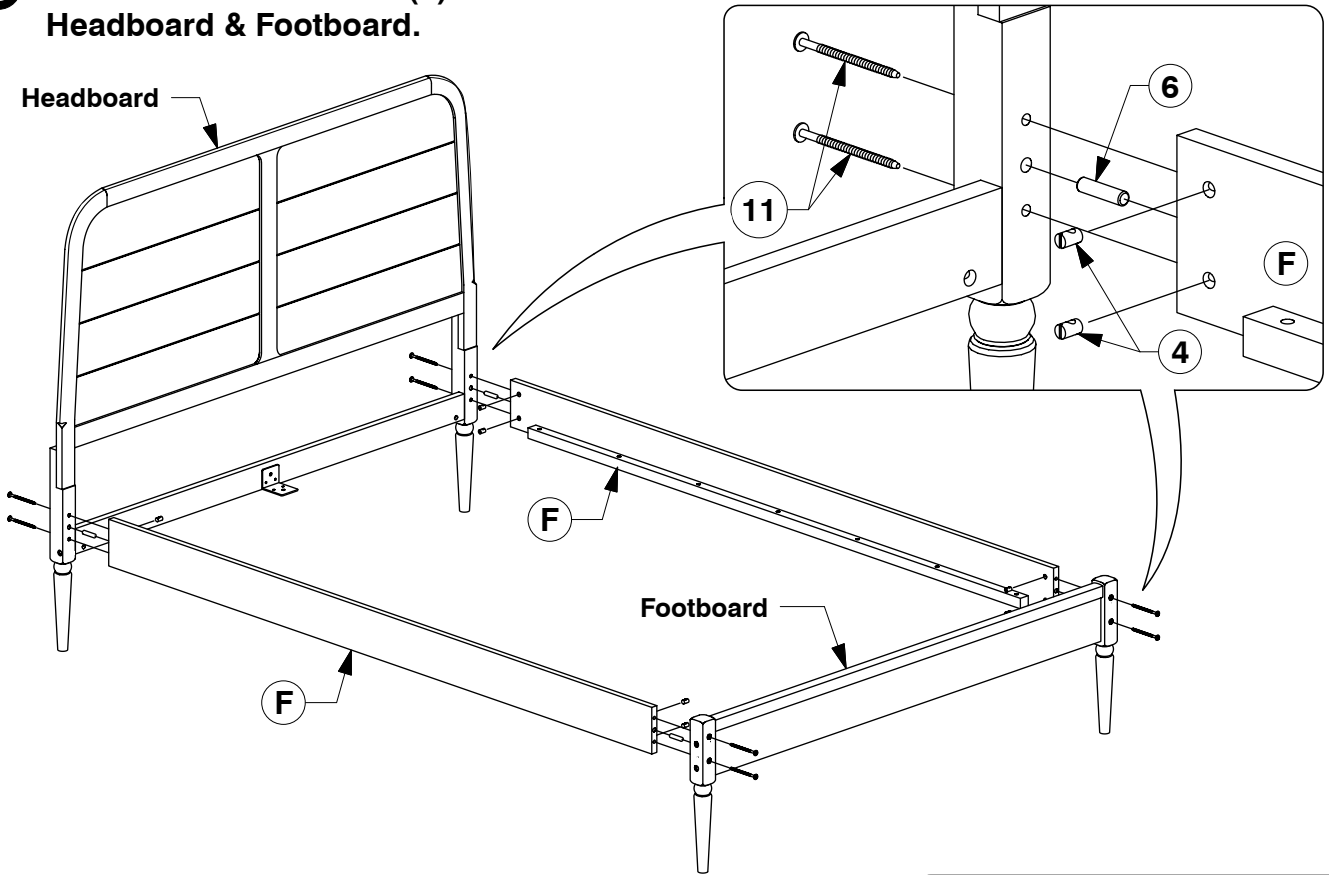


0063 Full Bed

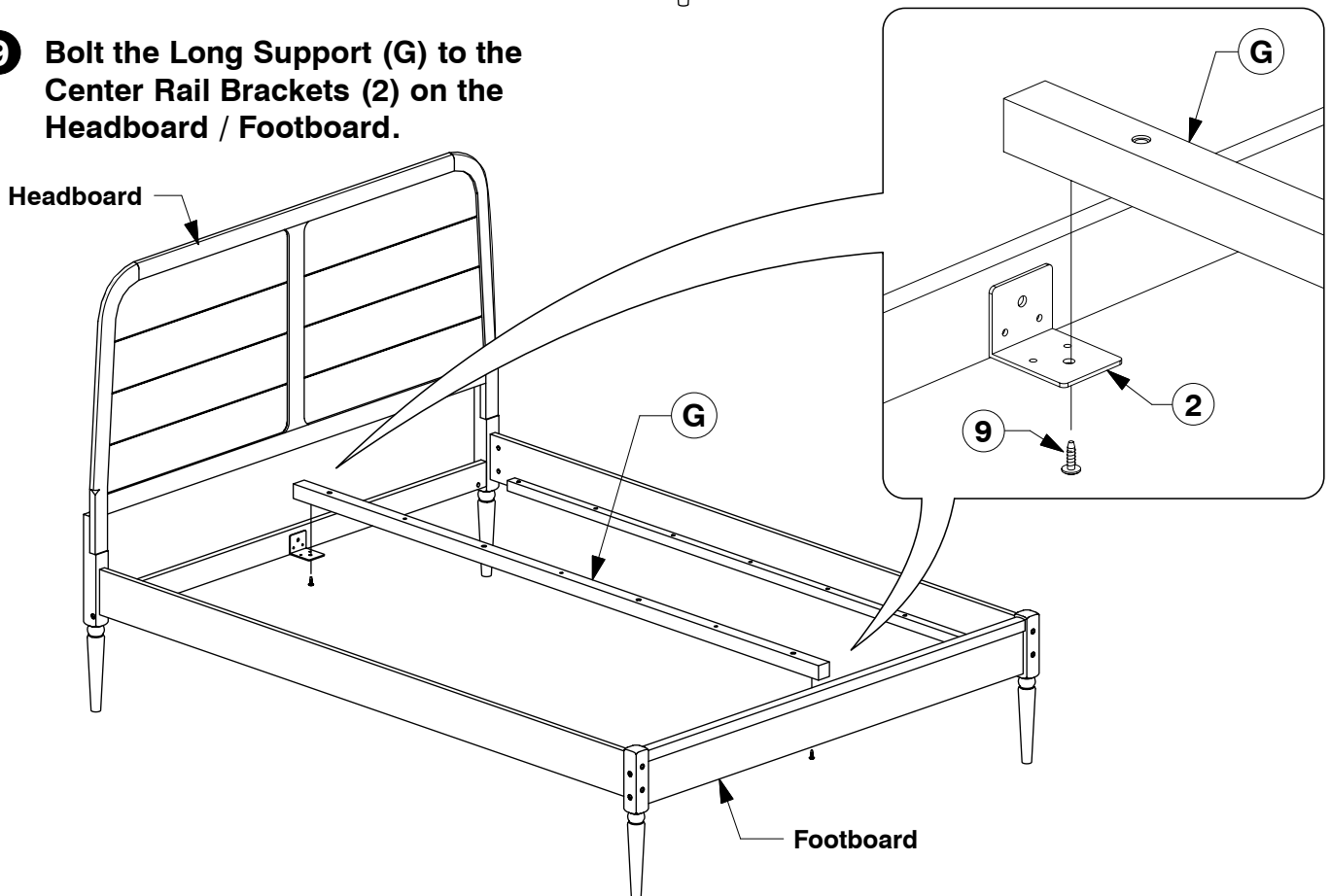
Assembly Instructions

WI-1220

8 Assemble the Side Rail (F) to the Headboard & Footboard.



9 Bolt the Long Support (G) to the Center Rail Brackets (2) on the Headboard / Footboard.

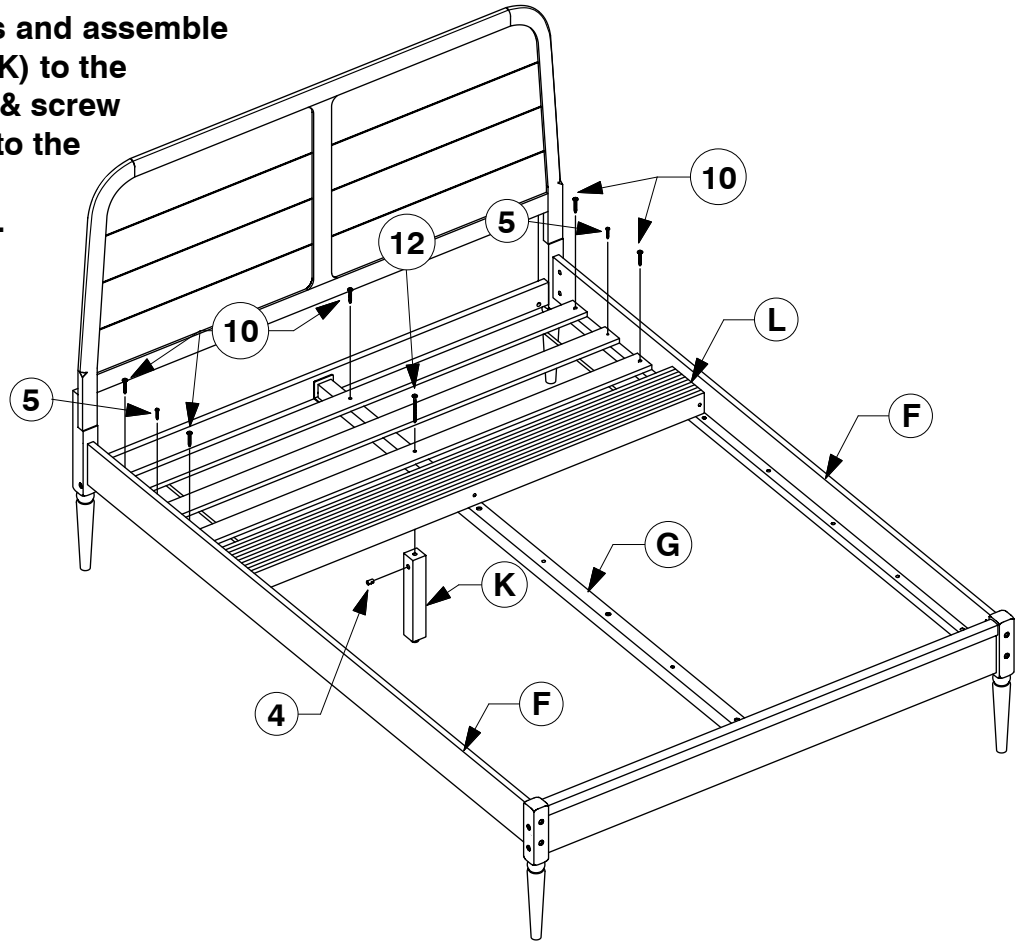


0063 Full Bed

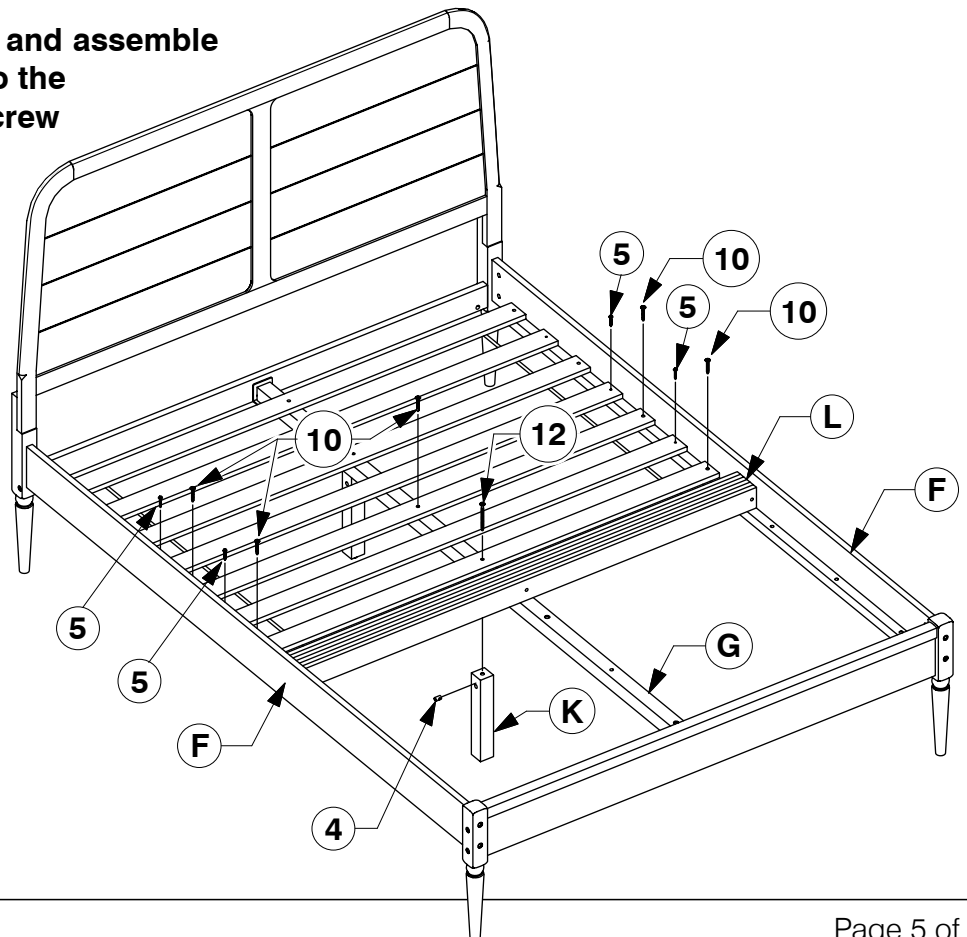
Assembly Instructions

WI-1220

- 10** Fit the first 3 Slats and assemble the Support Leg (K) to the Bed Slat (L). Bolt & screw the Bed Slats (L) to the Side Rail (F) & Long Support (G).



- 11** Fit the other Slats out and assemble the Support Leg (K) to the Bed Slat (L). Bolt & screw the Bed Slats (L) to the Side Rail (F) & Long Support (G).

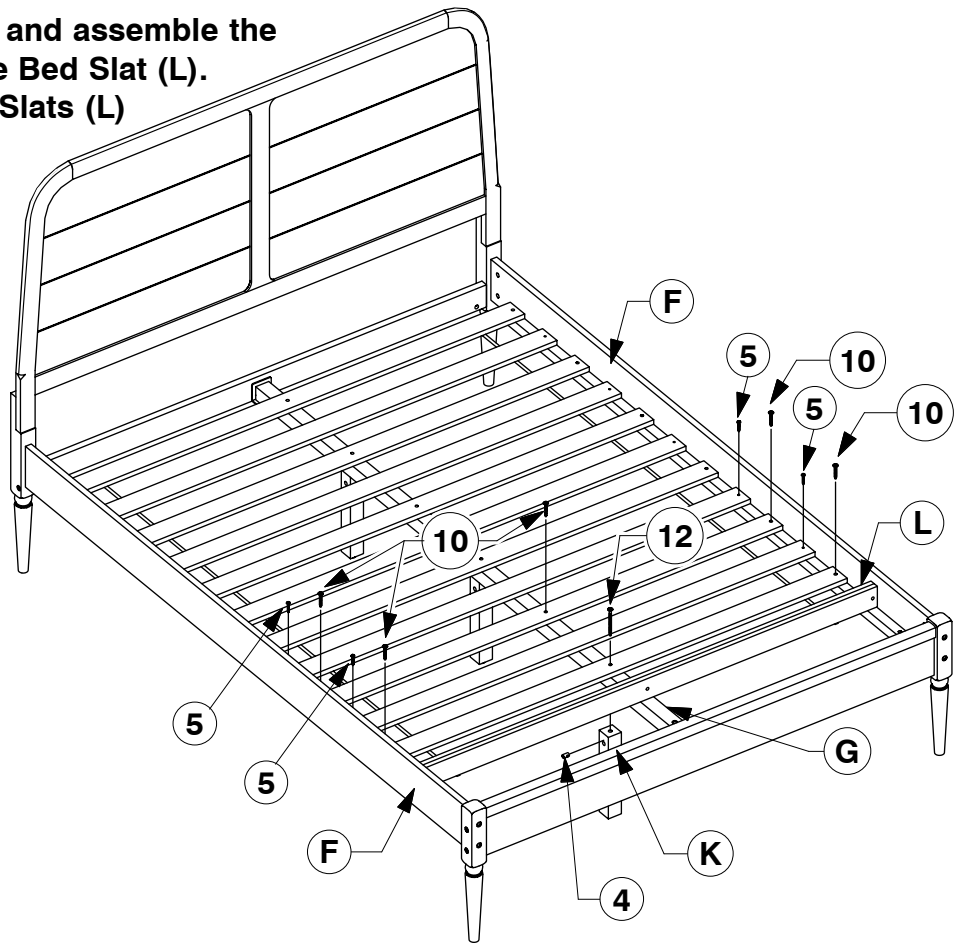


0063 Full Bed

Assembly Instructions

WI-1220

- 12** Fit the other Slats out and assemble the Support Leg (K) to the Bed Slat (L). Bolt & screw the Bed Slats (L) to the Side Rail (F) & Long Support (G).



- 13** Bolt & screw the remaining Bed Slats (L) to the Side Rail (F).

