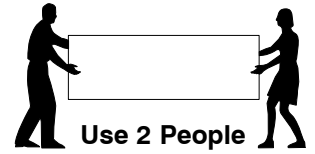
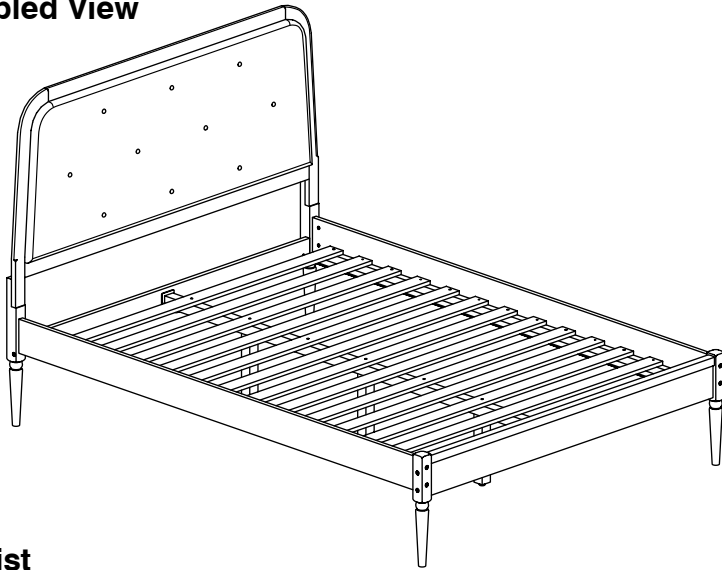


# 0061 Full Bed

## Assembly Instructions

WI-1220

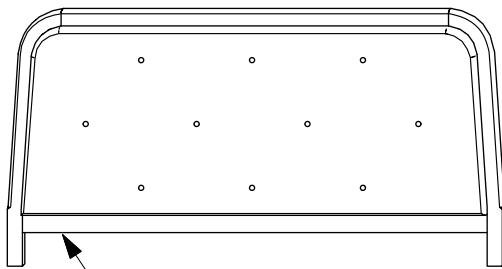
### 1 Assembled View



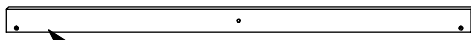
**Note:** Do not assemble using power tools. This can cause the bolts to be overtightened

### 2 Parts List

#### Parts in Box A:

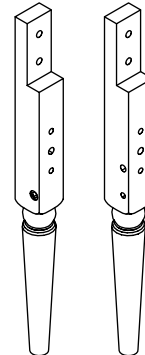


**A** Headboard Panel x 1



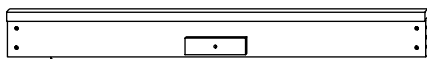
**B** Headboard Support x 1

**C**  
Headboard Post (Left Hand) x 1



**D**  
Headboard Post (Right Hand) x 1

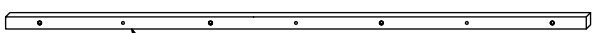
#### Parts in Box B:



**E** Footboard Panel x 1

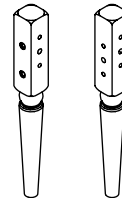


**F** Side Rail x 2



**G** Long Support x 1

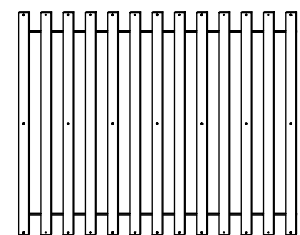
**H**  
Footboard Post (Left Hand) x 1



**J**  
Footboard Post (Right Hand) x 1



**K**  
Support Leg x 3



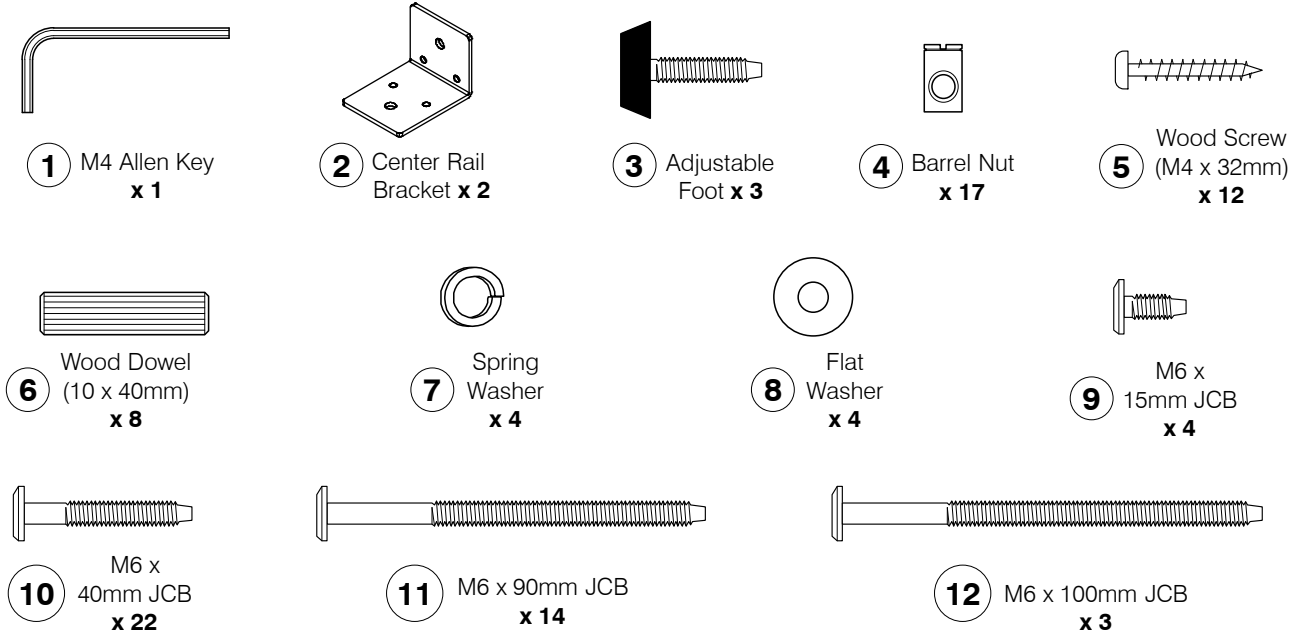
**L** Set of Bed Slats x 1

# 0061 Full Bed

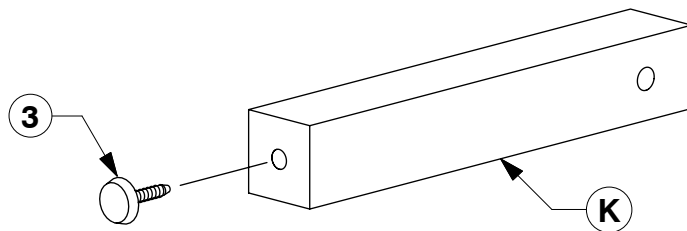
## Assembly Instructions

WI-1220

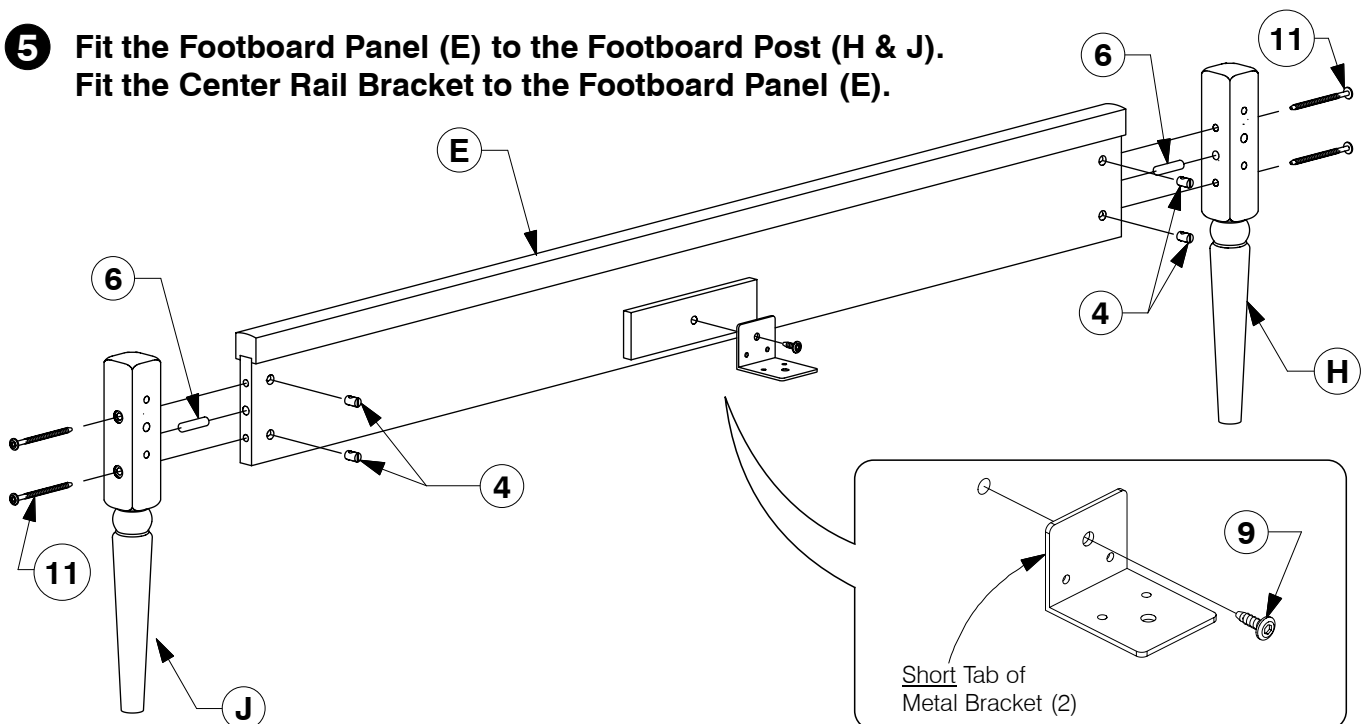
### 3 Hardware List



### 4 Fix the Adjustable foot to the bottom of the Support Leg (K).



### 5 Fit the Footboard Panel (E) to the Footboard Post (H & J). Fit the Center Rail Bracket to the Footboard Panel (E).

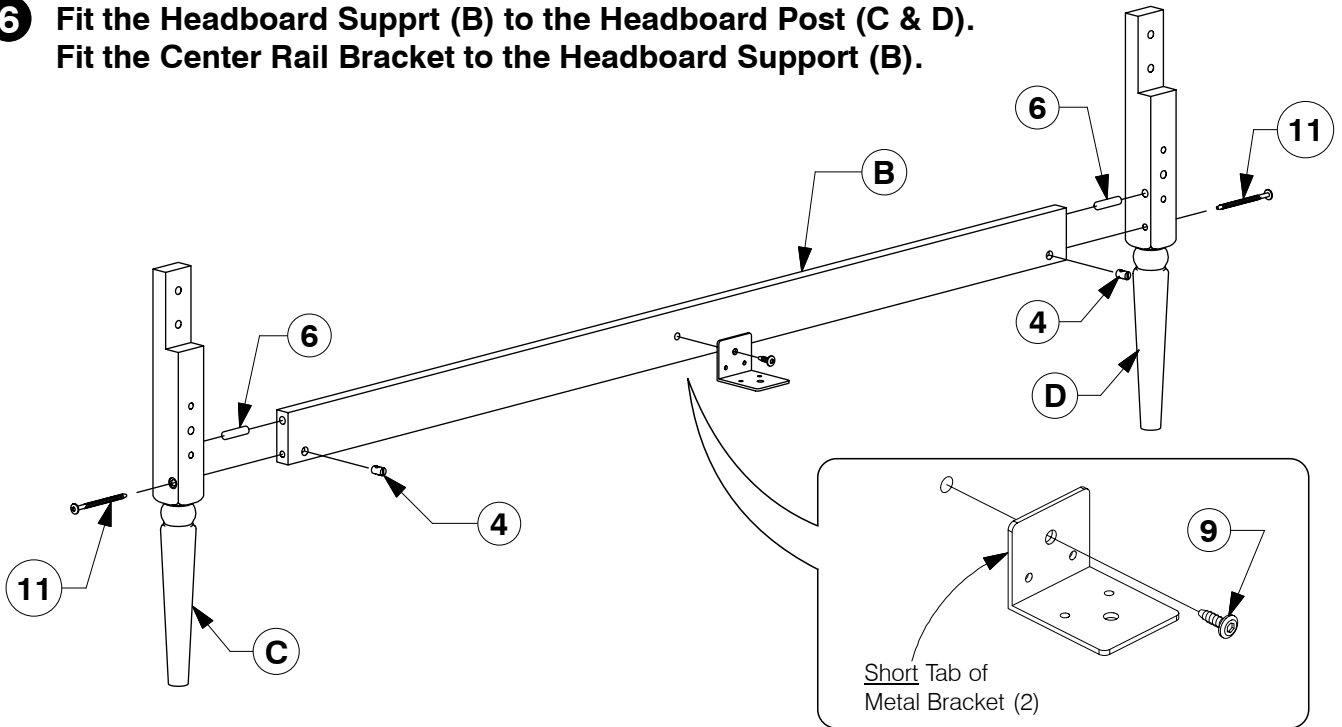


# 0061 Full Bed

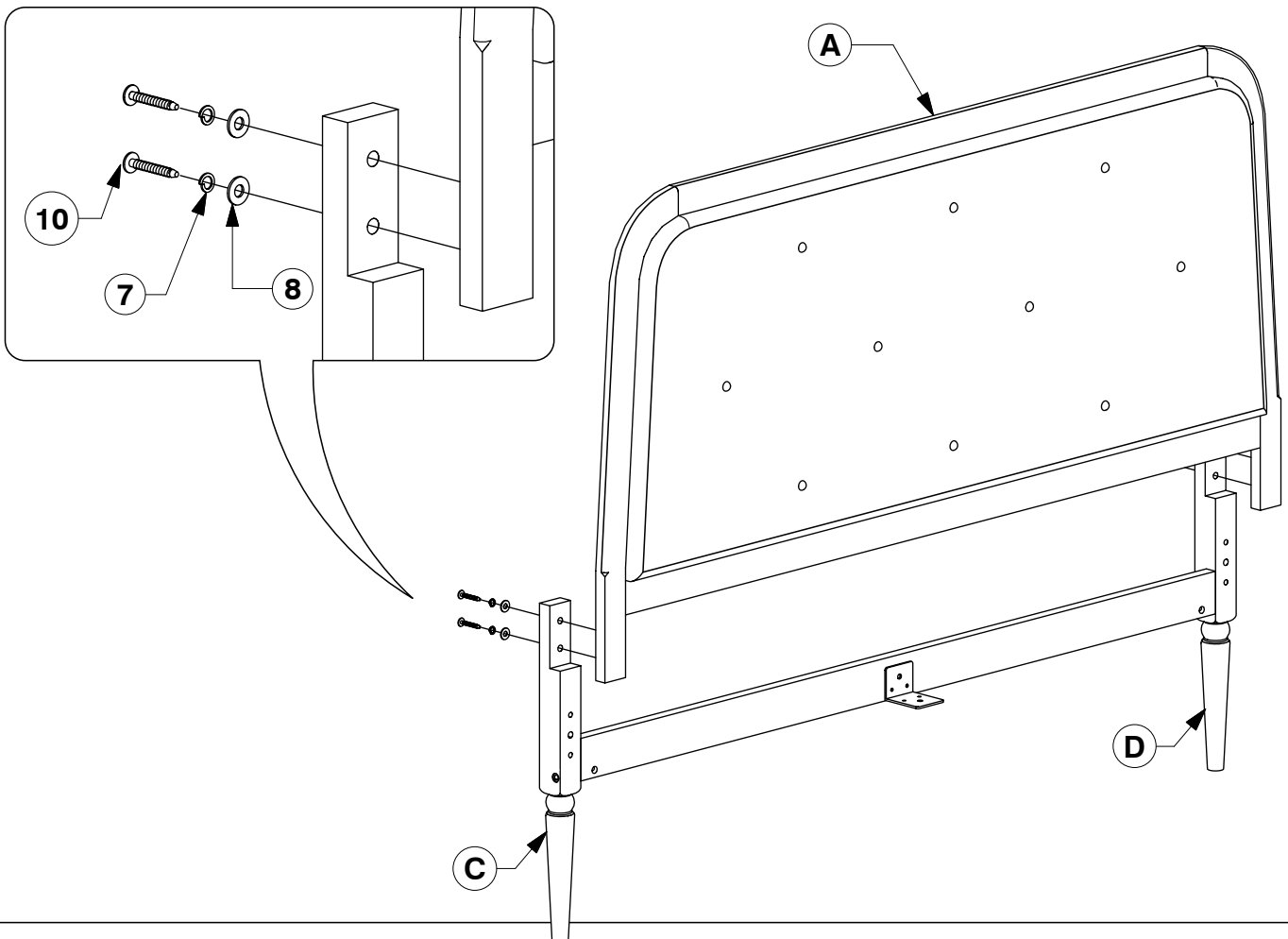
## Assembly Instructions

WI-1220

- 6** Fit the Headboard Support (B) to the Headboard Post (C & D).  
Fit the Center Rail Bracket to the Headboard Support (B).



- 7** Assemble the Headboard Panel (A) to the Headboard Post (C & D).

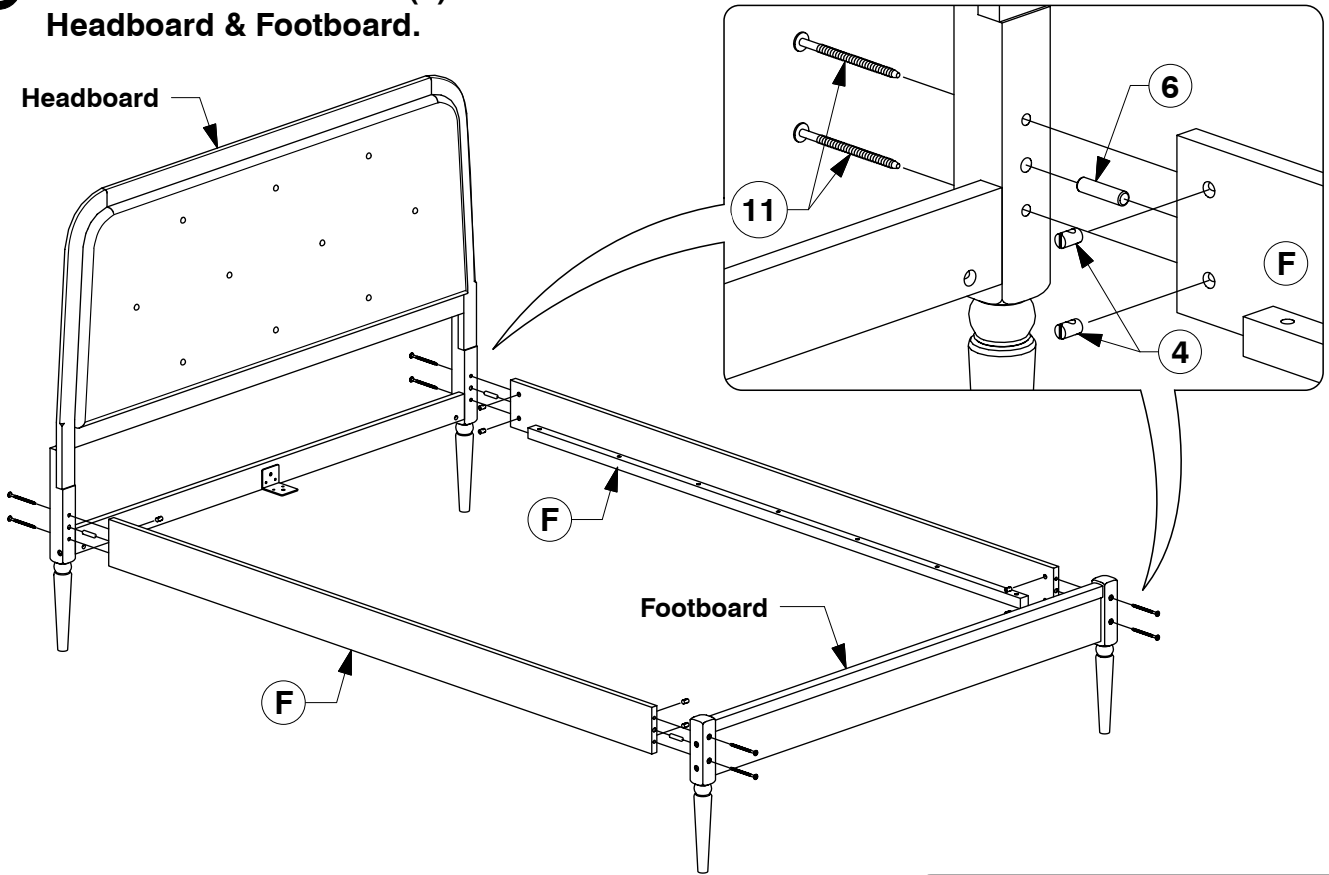


# 0061 Full Bed

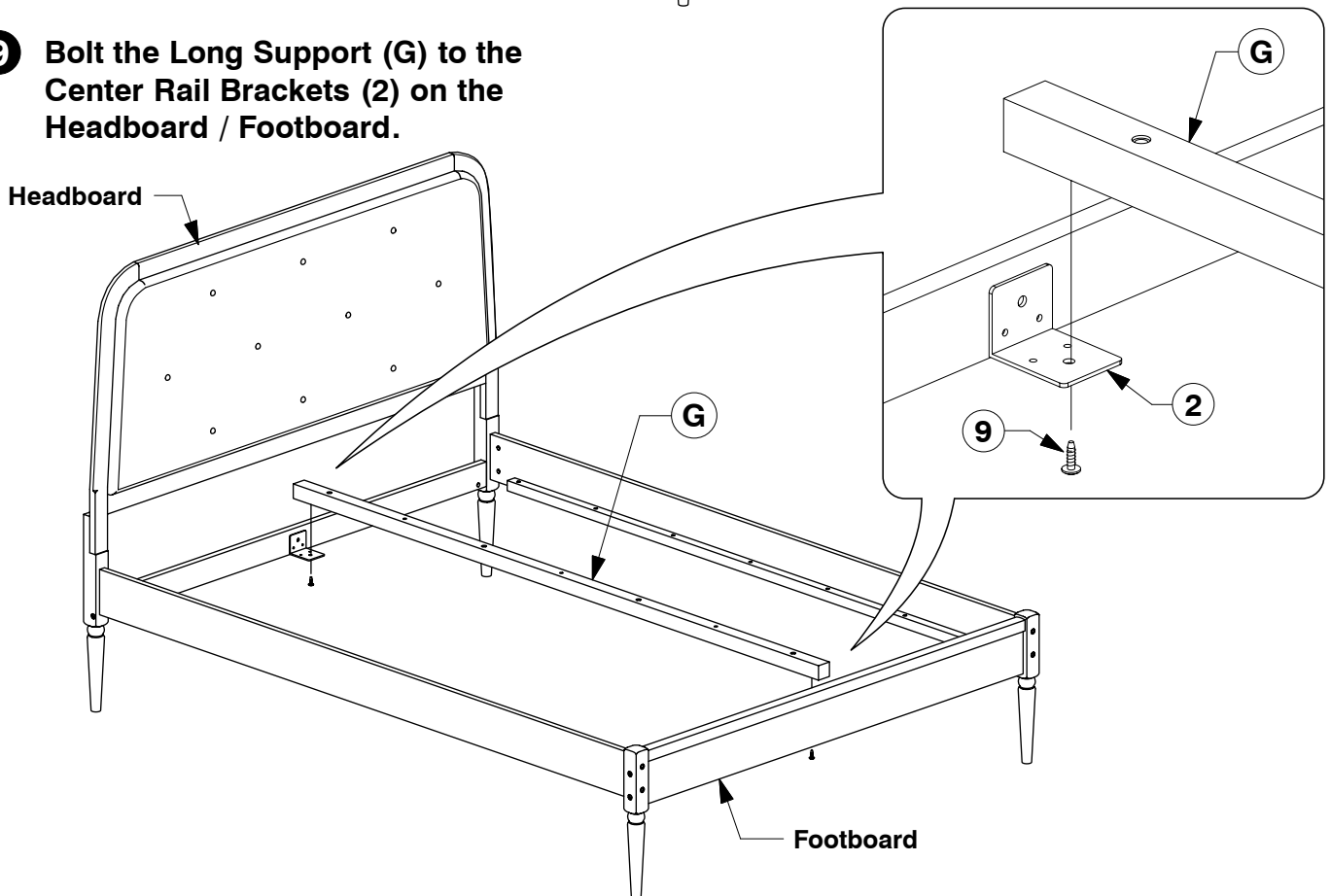
## Assembly Instructions

WI-1220

### 8 Assemble the Side Rail (F) to the Headboard & Footboard.



### 9 Bolt the Long Support (G) to the Center Rail Brackets (2) on the Headboard / Footboard.

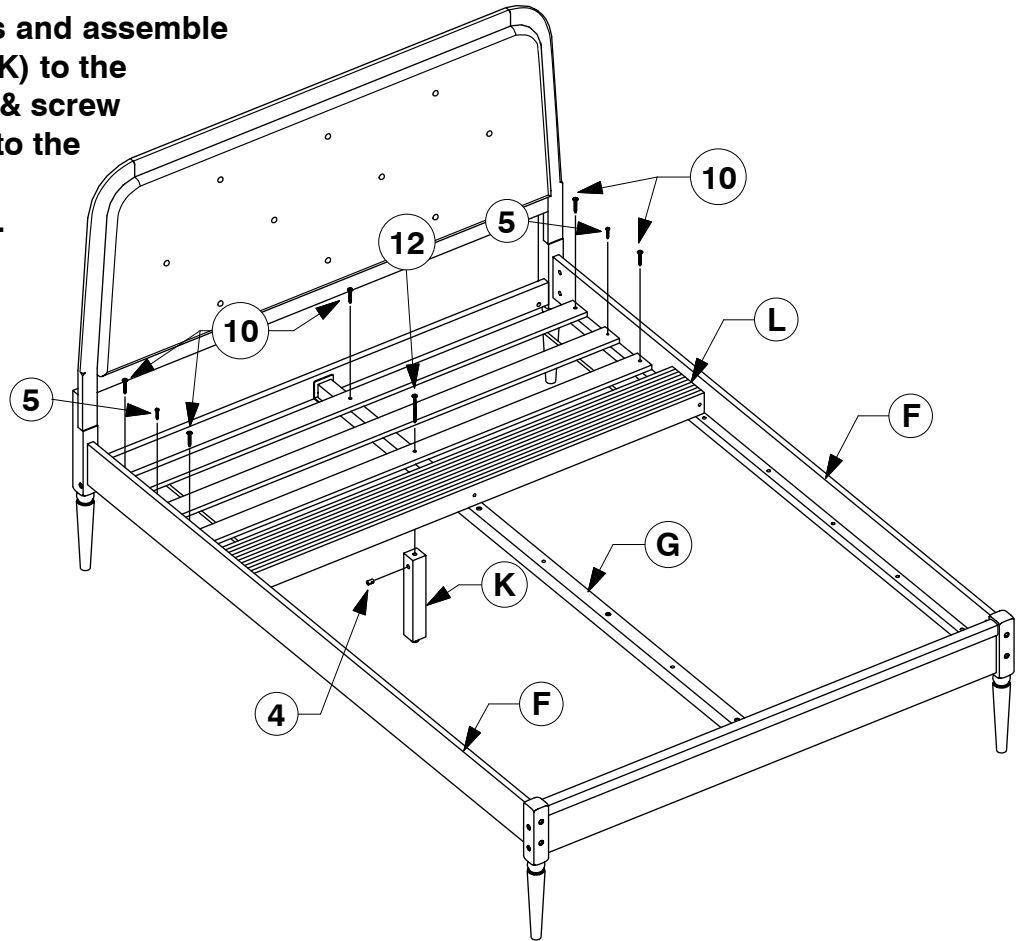


# 0061 Full Bed

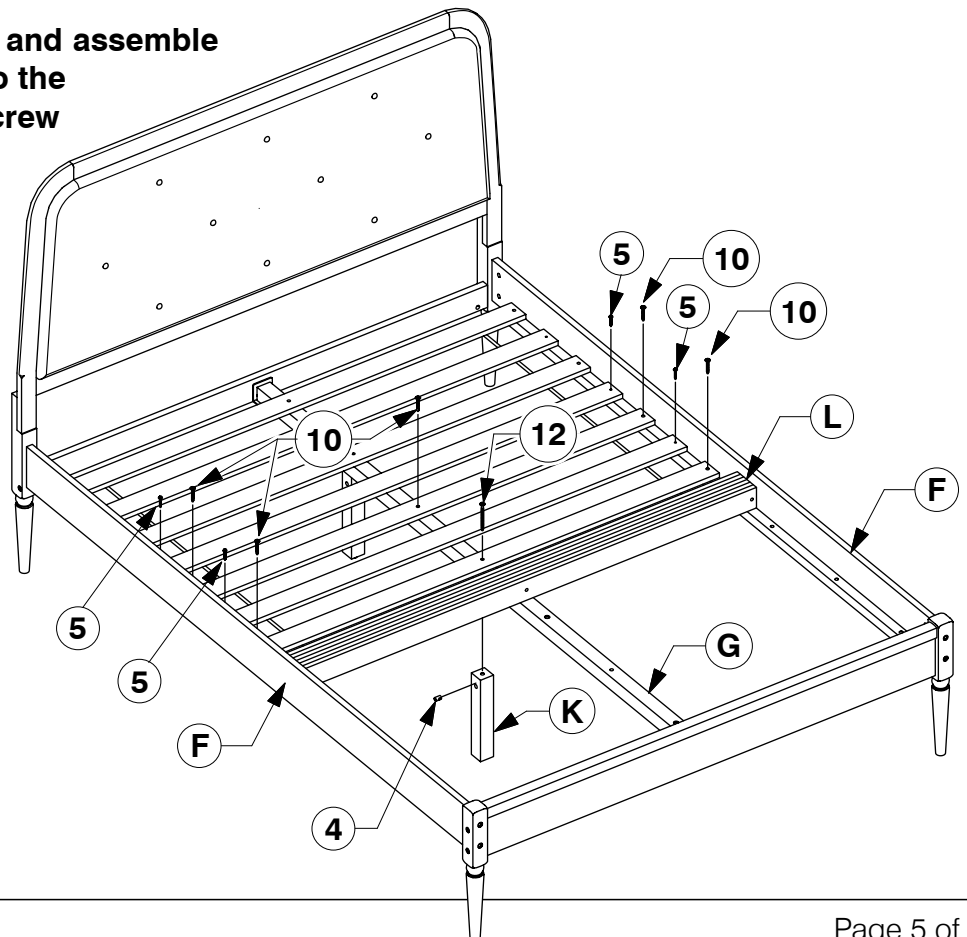
## Assembly Instructions

WI-1220

- 10** Fit the first 3 Slats and assemble the Support Leg (K) to the Bed Slat (L). Bolt & screw the Bed Slats (L) to the Side Rail (F) & Long Support (G).



- 11** Fit the other Slats out and assemble the Support Leg (K) to the Bed Slat (L). Bolt & screw the Bed Slats (L) to the Side Rail (F) & Long Support (G).

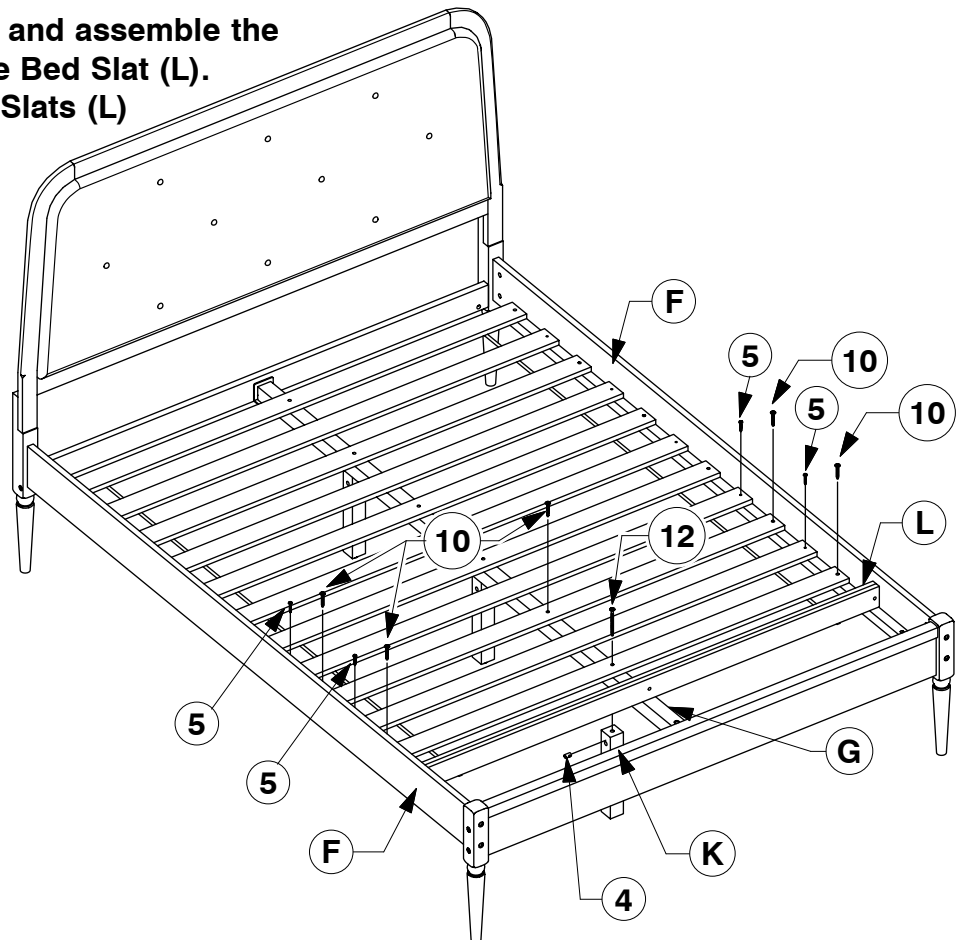


# 0061 Full Bed

## Assembly Instructions

WI-1220

- 12** Fit the other Slats out and assemble the Support Leg (K) to the Bed Slat (L). Bolt & screw the Bed Slats (L) to the Side Rail (F) & Long Support (G).



- 13** Bolt & screw the remaining Bed Slats (L) to the Side Rail (F).

