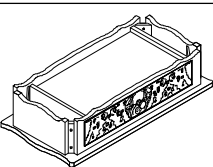

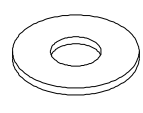


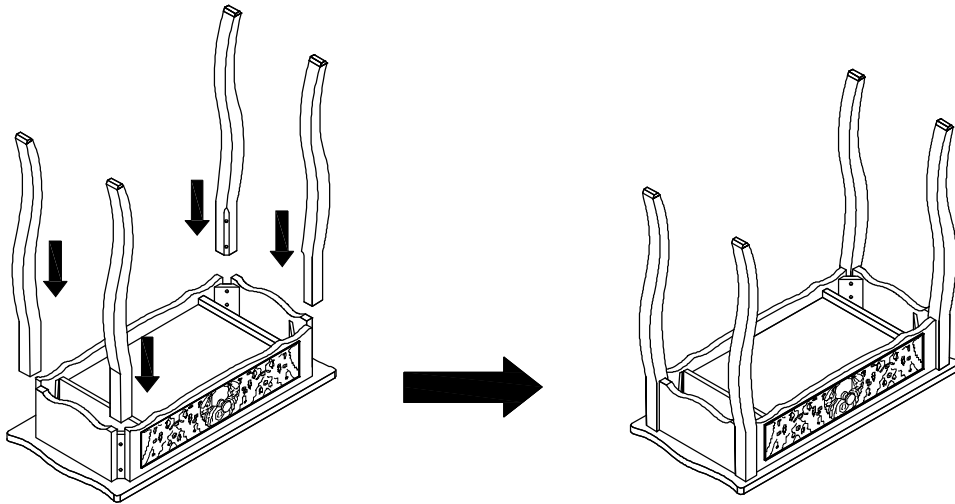


# Assembly Manual

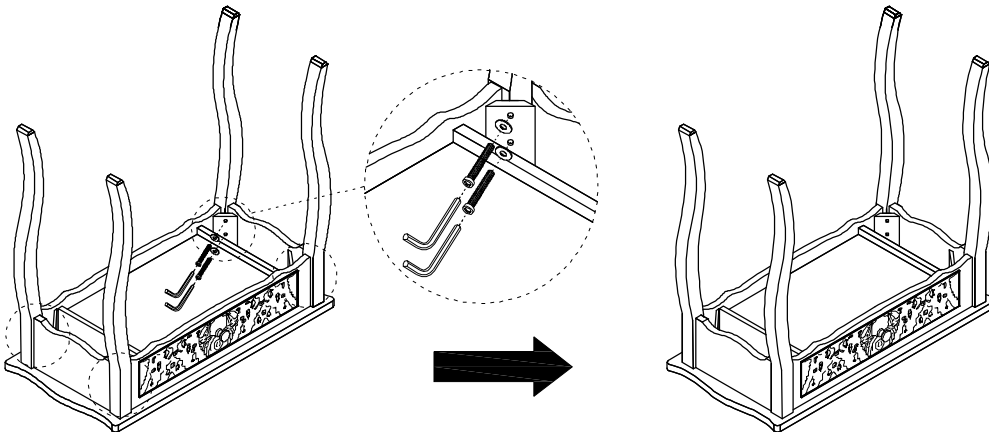
## PART LIST

				
PART 1	PART 2	PART3	PART 4	PART 5
1PC	4PCS	8PCS	8PCS	1PC

1



2



3

