
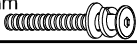


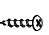
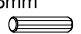


ASSEMBLY INSTRUCTIONS

MODEL : ETTORE LOUNGE CHAIR

- IMPORTANT NOTE :**
- * PLACE ALL WOODEN PARTS ON A CLEAN AND SMOOTH SURFACE SUCH AS A RUG OR CARPET TO AVOID THE PARTS FROM BEING SCRATCHED.
 - * BEFORE YOU BEGIN, KINDLY FOLLOW THE ASSEMBLY INSTRUCTIONS STEP BY STEP.
 - * DO NOT TIGHTEN ALL SCREWS UNTIL THE CHAIR IS FULLY SET-UP.

HARDWARE LIST		PART LIST	
A	JCBC M6 x 25mm + S/W M6 + F/W M6 x 13mm  4PCS	1	LEFT SIDE FRAME 1PC
B	JCBC M6 x 50mm + S/W M6 + F/W M6 x 13mm  4PCS	2	RIGHT SIDE FRAME 1PC
C	ALLEN KEY M4  1PC	3	FRONT STRETCHER 1PC
D	L BRACKET  4PCS	4	BACK STRETCHER 1PC
E	PH SCREW M4 x 12mm  8PCS	5	TOP REST 1PC
F	WOOD DOWEL M8 x 25mm  2PCS	6	CUSHION SEAT 1PC

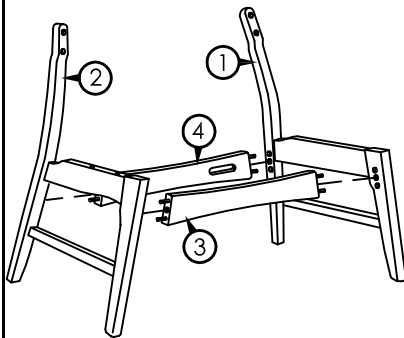
CAUTIONS :

(1) DO NOT FULLY-TIGHTEN THE NUT OR NUT BOLTS INITIALLY UNTIL ALL NUTS OR BOLT IS READY ASSEMBLED.

(TO AVOID CAUSING DAMAGES TO THE THREAD, DO NOT OVER-TIGHTEN THE NUTS OR BOLTS.)

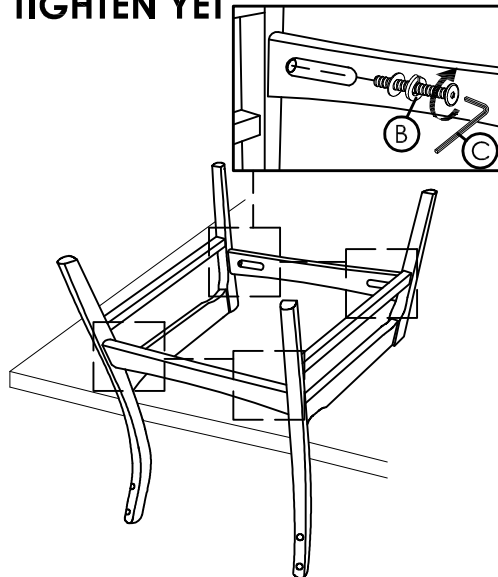
(2) KEEP ALL HARDWARE PART OUT OF REACH OF CHILDREN.

STEP 1

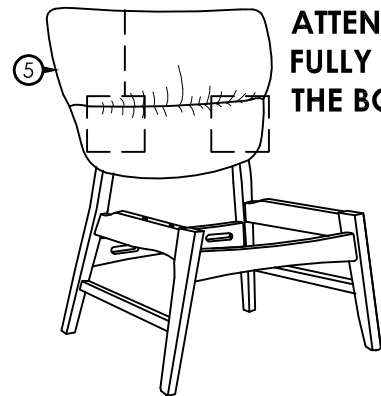
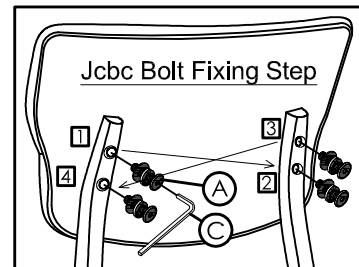


STEP 2

**ATTENTION:
DO NOT FULLY
TIGHTEN YET**



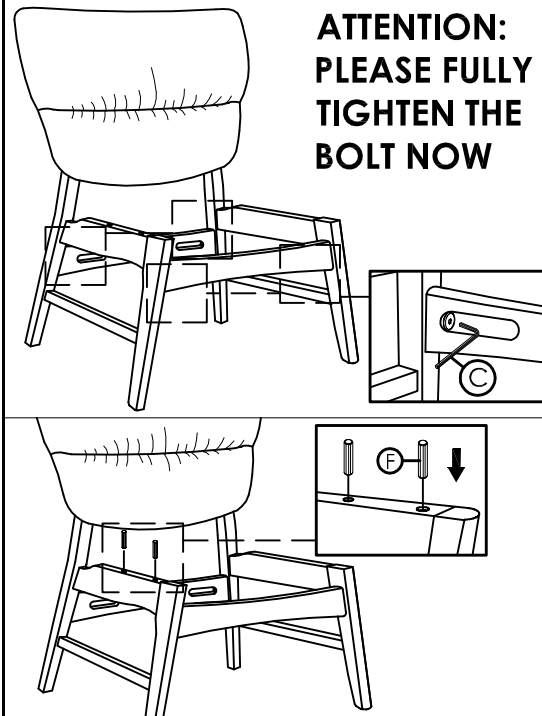
STEP 3



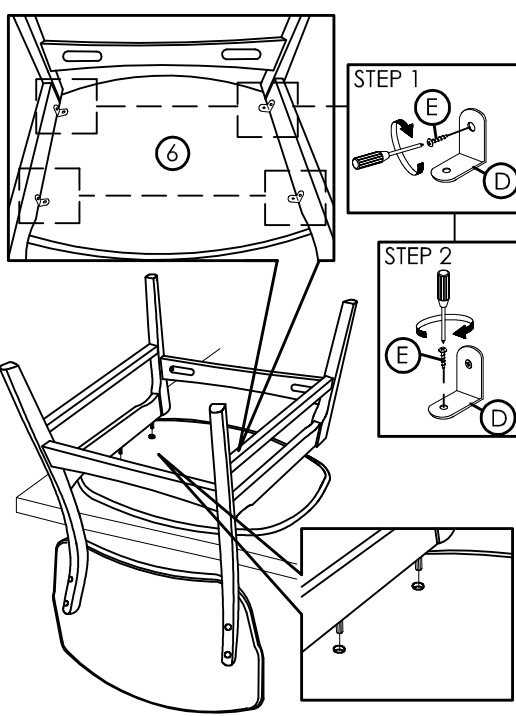
**ATTENTION:
FULLY TIGHTEN
THE BOLT**

STEP 4

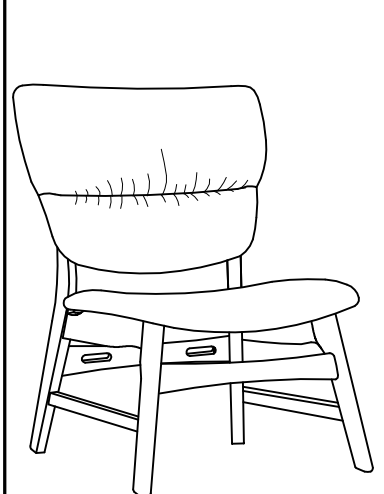
**ATTENTION:
PLEASE FULLY
TIGHTEN THE
BOLT NOW**



STEP 5



STEP 6



COMPLETED
LONG CHAIR ASSEMBLY.