

# ASSEMBLY INSTRUCTIONS

## MODEL : GAUDI DINING CHAIR

**IMPORTANT NOTE :**

- \* PLACE ALL WOODEN PARTS ON A CLEAN AND SMOOTH SURFACE SUCH AS A RUG OR CARPET TO AVOID THE PARTS FROM BEING SCRATCHED.
- \* BEFORE YOU BEGIN, KINDLY FOLLOW THE ASSEMBLY INSTRUCTIONS STEP BY STEP.
- \* DO NOT TIGHTEN ALL SCREWS UNTIL THE CHAIR IS FULLY SET-UP.

HARDWARE LIST			PART LIST		
A	JCBC M6 x 60mm + S/W M6 + F/W M6 x 13mm	4PCS	1	SIDE FRAME (L&R)	2PCS
B	JCBC M6 x 30mm + S/W M6 + F/W M6 x 13mm	4PCS	2	BOX SEAT	1PC
C	JCBC SCREW M6 x 20mm	4PCS	3	BACK REST	1PC
D	WOOD DOWEL M8 X 20mm	4PCS	4	CUSHION SEAT	1PC
E	ALLEN KEY M4 (Ball Shape)	1PC			

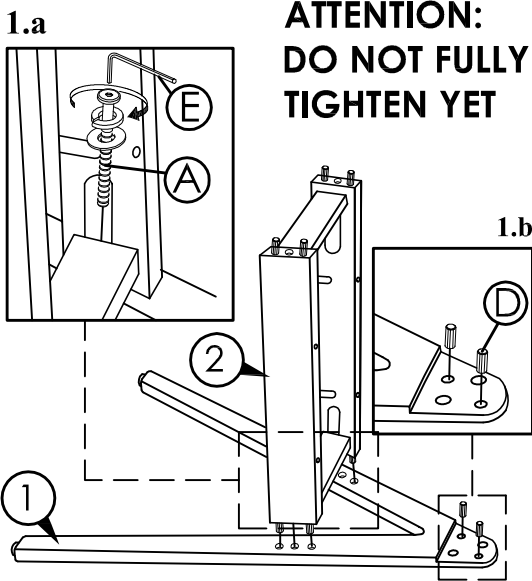
**CAUTIONS :**

(1) **DO NOT FULLY-TIGHTEN THE NUT OR NUT BOLTS INITIALLY UNTIL ALL NUTS OR BOLT IS READY ASSEMBLED.**

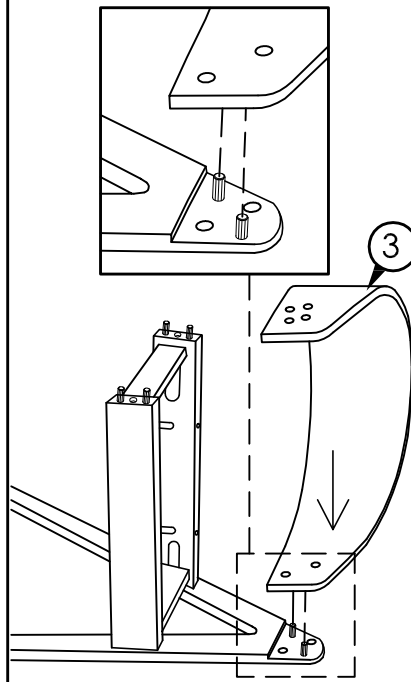
(TO AVOID CAUSING DAMAGES TO THE THREAD, DO NOT OVER-TIGHTEN THE NUTS OR BOLTS. )

(2) **KEEP ALL HARDWARE PART OUT OF REACH OF CHILDREN.**

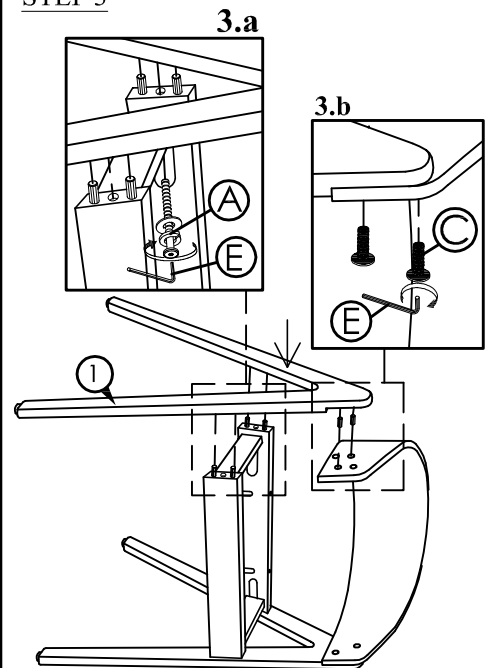
### STEP 1



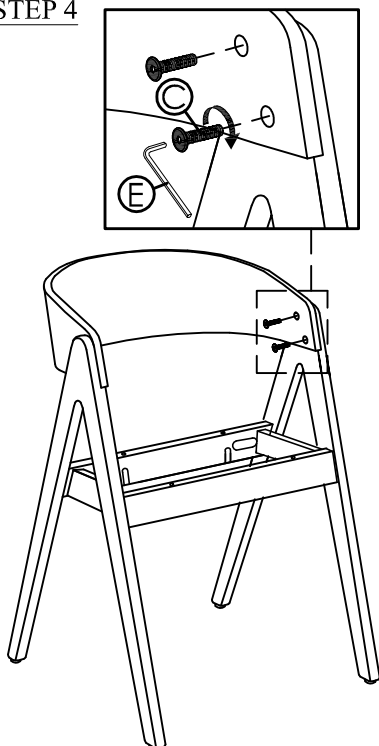
### STEP 2



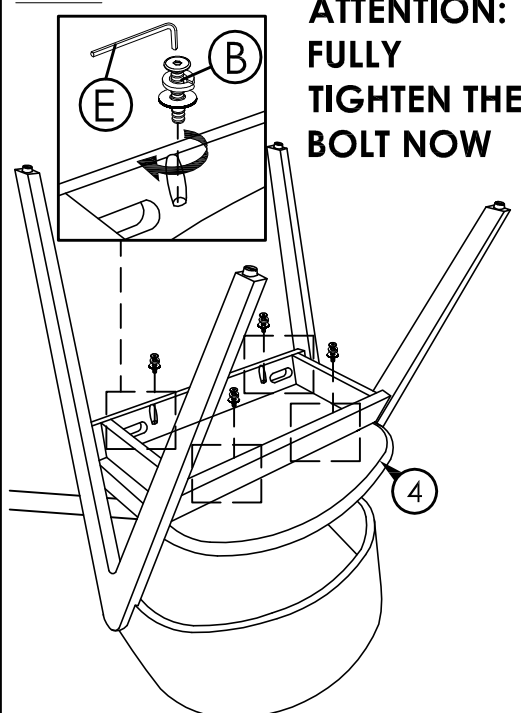
### STEP 3



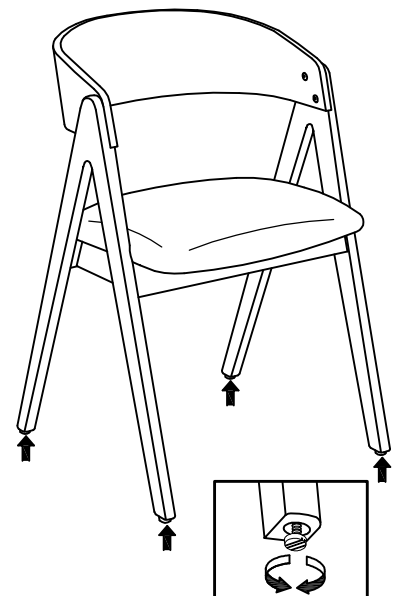
### STEP 4



### STEP 5



### STEP 6



Turn clockwise or anti-clockwise to adjust leg leveller.


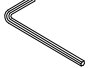
**COMPLETED CHAIR ASSEMBLY.**

# ASSEMBLY INSTRUCTIONS

## MODEL : NIDO DINING TABLE

### IMPORTANT NOTE :

- \* PLACE ALL WOODEN PARTS ON A CLEAN AND SMOOTH SURFACE SUCH AS A RUG OR CARPET TO AVOID THE PARTS FROM BEING SCRATCHED.
- \* BEFORE YOU BEGIN, KINDLY FOLLOW THE ASSEMBLY INSTRUCTIONS STEP BY STEP.

HARDWARE LIST		
A	JCBB M8 x 80mm + S/W 5/16" + F/W 5/16" x 22mm 	8PCS
B	ALLEN KEY M5 	1PC



COMPLETED TABLE ASSEMBLY.

PART LIST		
1	TABLE TOP	1PC
2	TABLE LEG	4PCS

### INSTRUCTION :-

( STEP 1 )

Place Table Top (1) face down on a clean and flat surface to prevent from being scratched.

( STEP 2 )

Position Table Leg (2) with D-Nut holes facing to Corner Block holes of Table Frame , then insert JCBB Screw (A) + Spring Washer + Flat Washer then tighten with Allen Key (B) provided.

( STEP 3 )

Repeat Step 2 for other 3 legs assembly.

( STEP 4 )

Revert the table for completion of table assembly.

