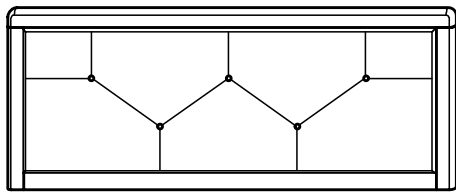


9731 Full / Queen Headboard

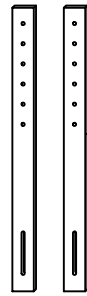
Assembly Instructions

WI-1220

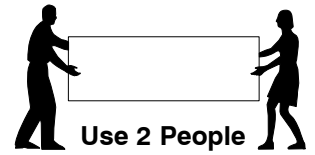
1 Parts List



A
Headboard
Panel x 1



B
Support
Bars x 2



2 Hardware List



1 M6 x 35mm JCB
x 10



2 Spring Washer
x 10



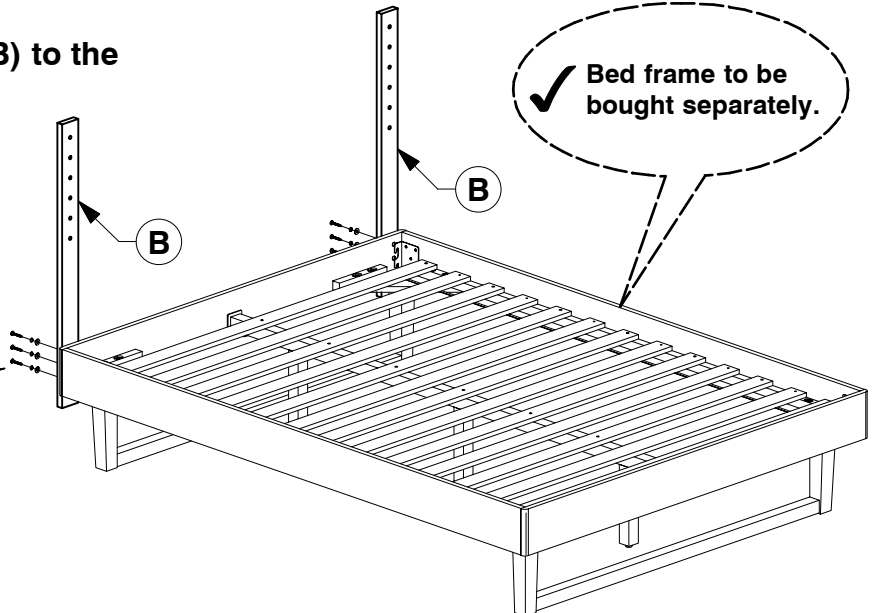
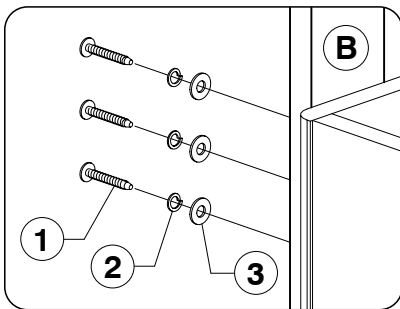
3 Flat Washer
x 10



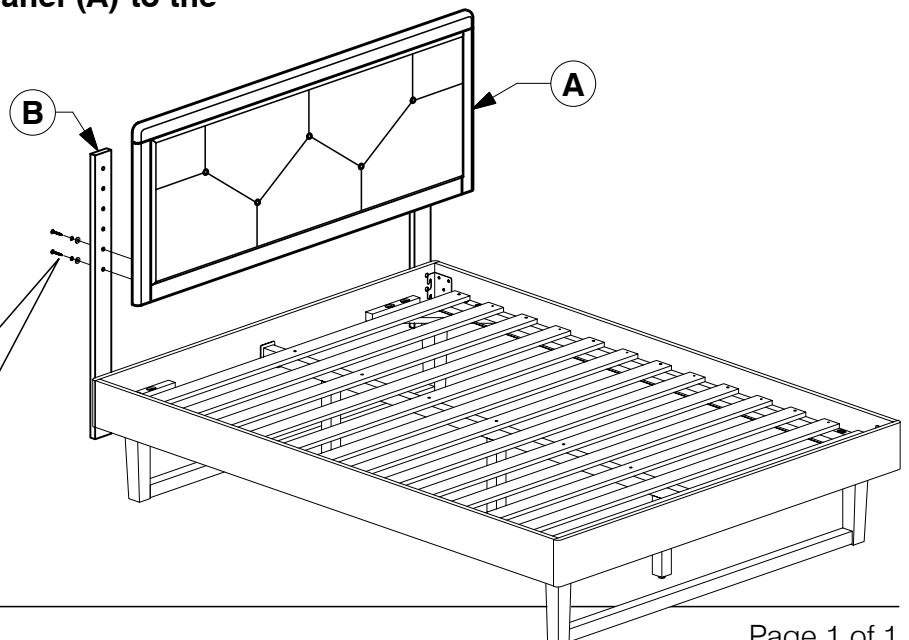
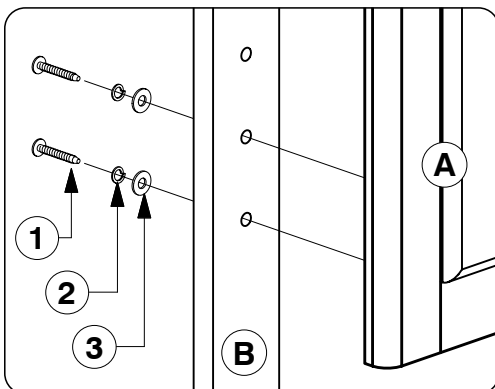
4 Allen Key
x 1

Note: Do not assemble
using power tools.
This can cause the bolts
to be overtightened

3 Assemble the Support Bars (B) to the Headboard Panel.



4 Assemble the Headboard Panel (A) to the Support Bars (B).

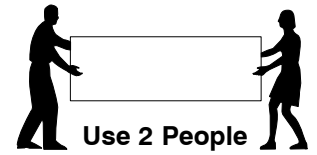
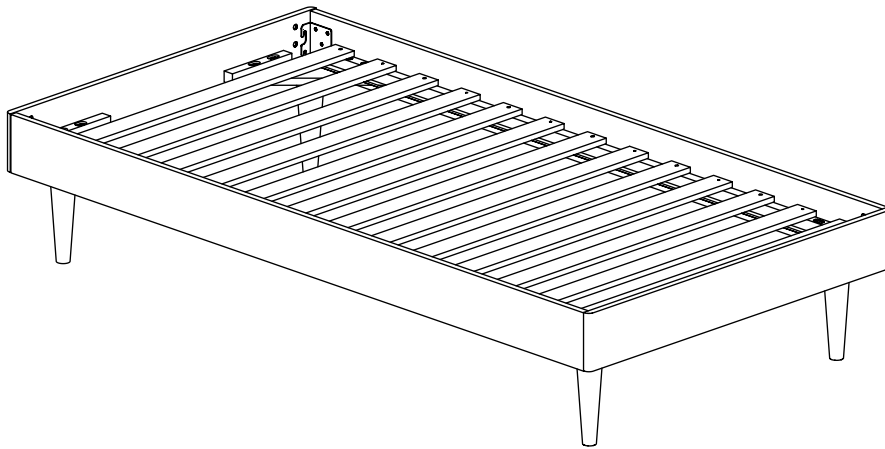


97151 Twin Bed

Assembly Instructions

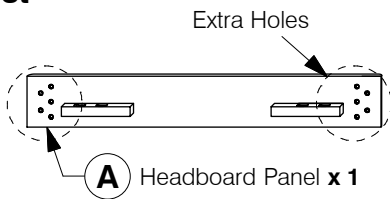
W11-0720

1 Assembled View

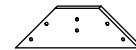


Note: Do not assemble using power tools. This can cause the bolts to be overtightened

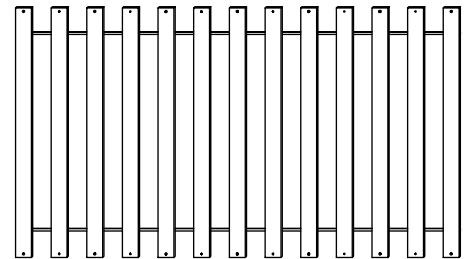
2 Parts List



D
Post
x 4



E
Support Panel
x 4



F Set of Bed Slats x 1

3 Hardware List



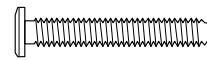
1 M6 x
50mm JCB
x 16



2 M6 x
40mm JCB
x 14



3 M6 x
20mm JCB
x 8



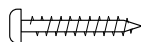
4 M8 x
50mm JCB
x 8



5 Spring
Washer
x 24



6 Flat Washer
x 24



7 Wood Screw
(M4 x 32mm) x 12



8 M4 Allen Key
x 1



9 M5 Allen Key
x 1

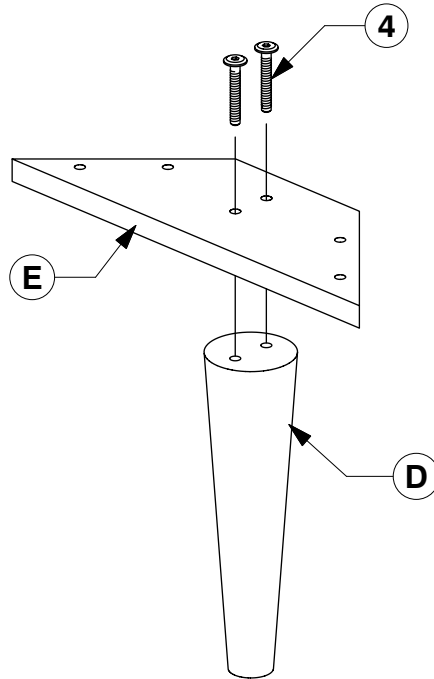
97151 Twin Bed

Assembly Instructions

W11-0720

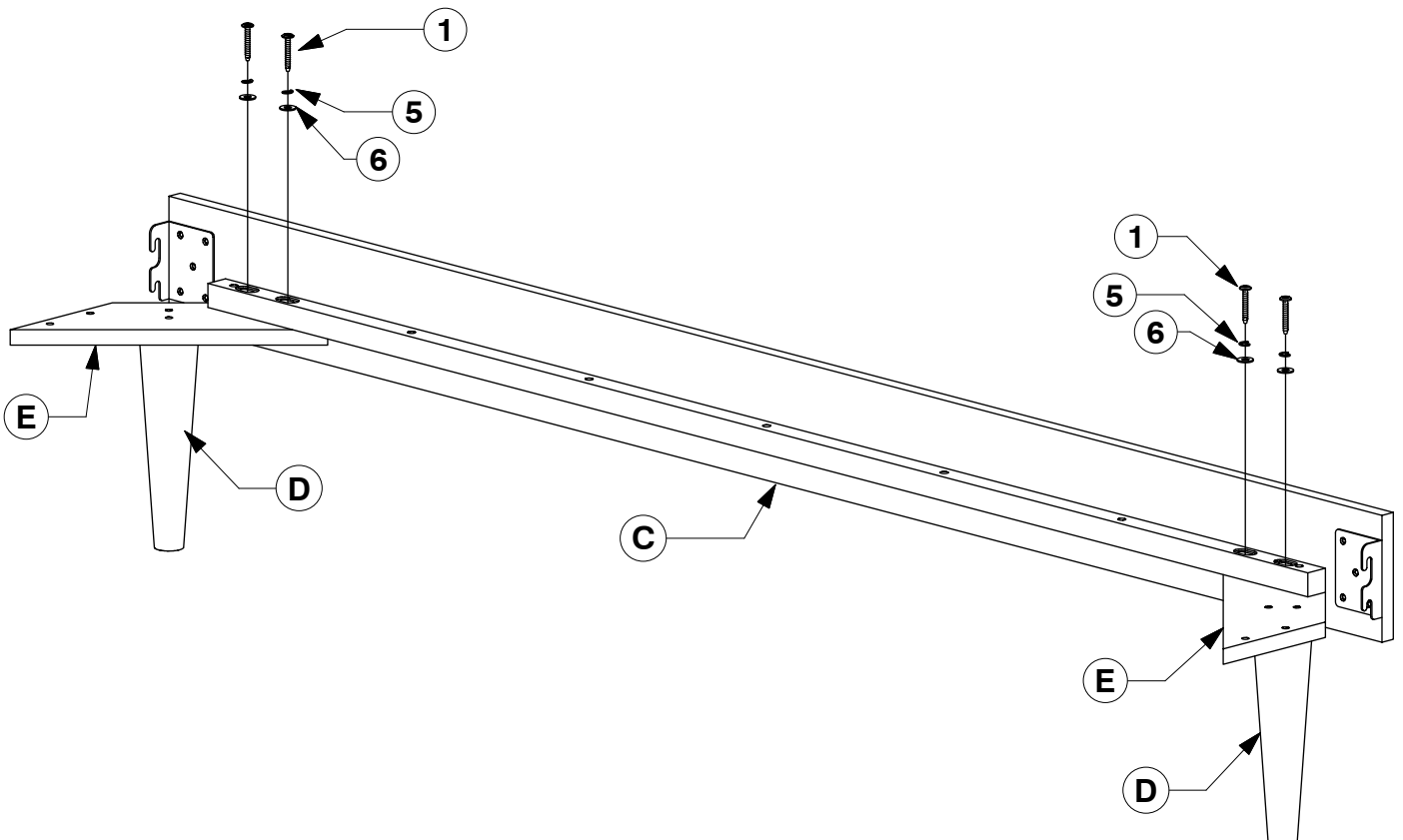
- 4** Fit the Post (D) to the Support Panel (E).

x4



- 5** Bolt the Post & Support Panel (D & E) to the Side Rail (C).

x2

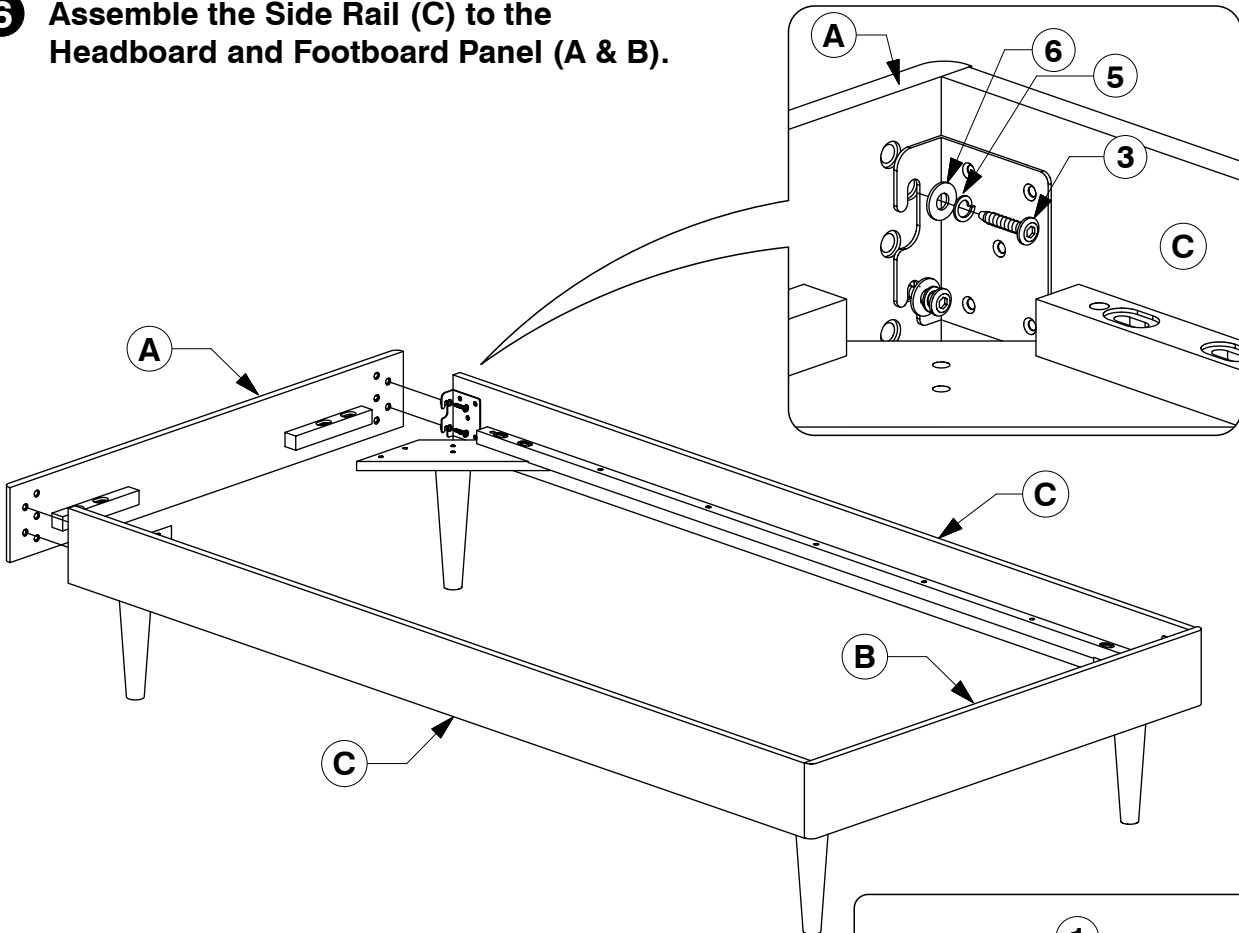


97151 Twin Bed

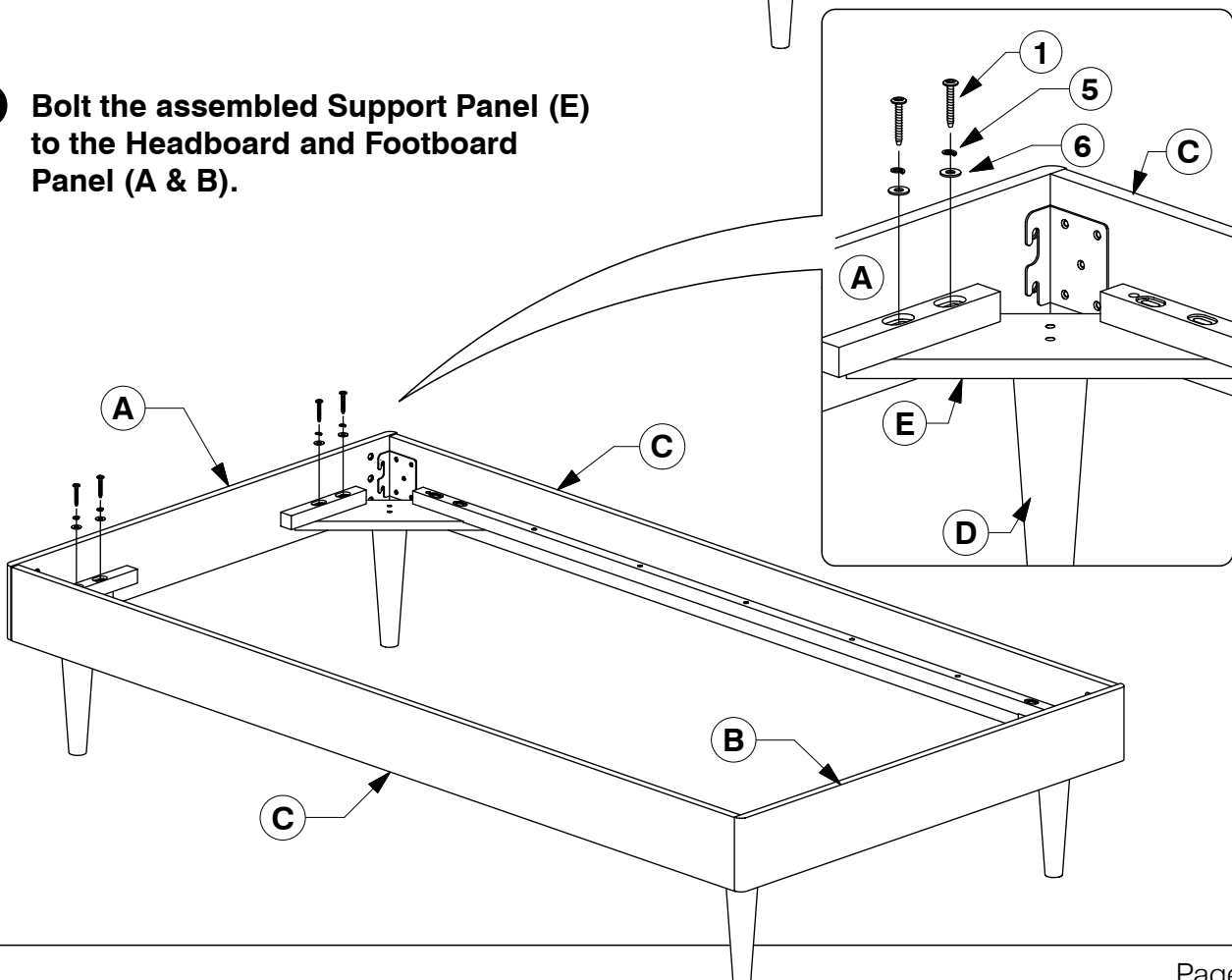
Assembly Instructions

W11-0720

- 6 Assemble the Side Rail (C) to the Headboard and Footboard Panel (A & B).**



- 7 Bolt the assembled Support Panel (E) to the Headboard and Footboard Panel (A & B).**

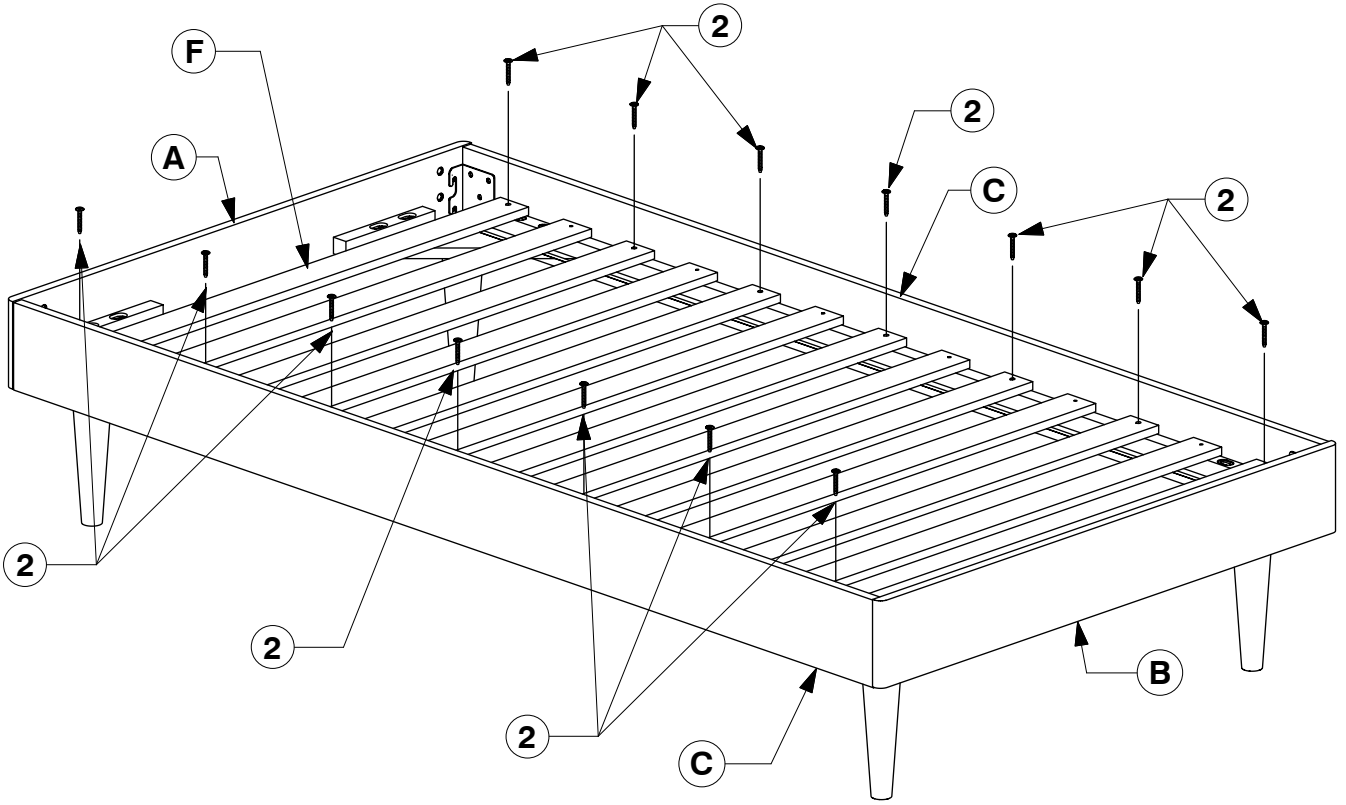


97151 Twin Bed

Assembly Instructions

W11-0720

8 Bolt the Bed Slats (F) to the Side Rail (C).



9 Screw the Bed Slats (F) to the Side Rail (C).

