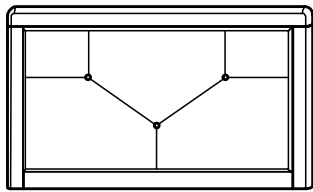


# 9731 Twin Headboard

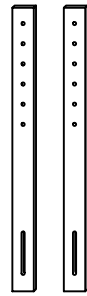
## Assembly Instructions

WI-1220

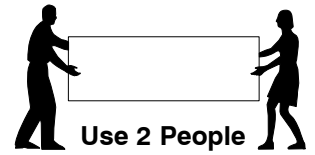
### 1 Parts List



**A**  
Headboard Panel x 1



**B**  
Support Bars x 2



### 2 Hardware List



**1** M6 x 35mm JCB  
x 10



**2** Spring Washer  
x 10



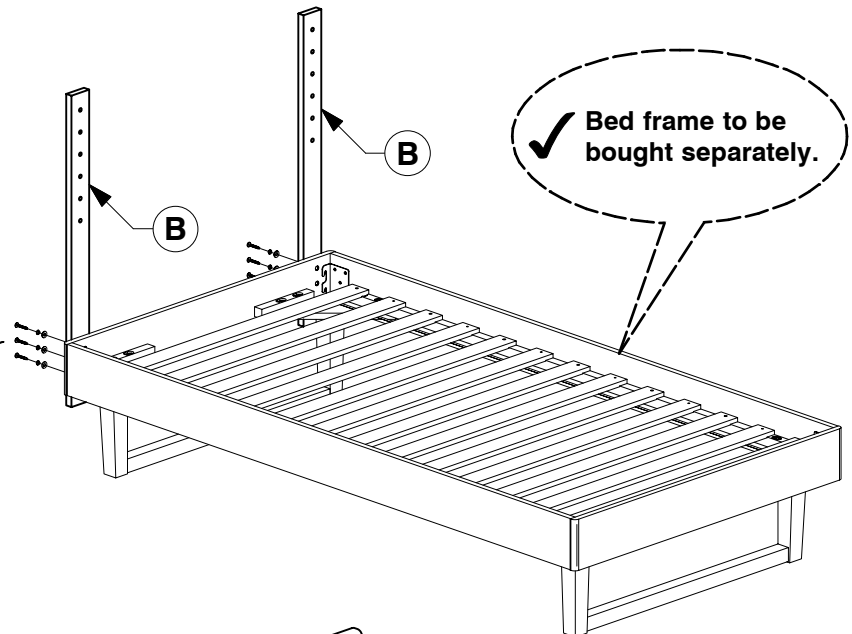
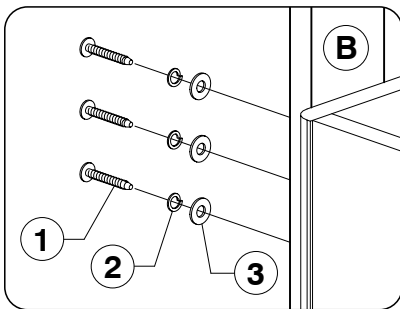
**3** Flat Washer  
x 10



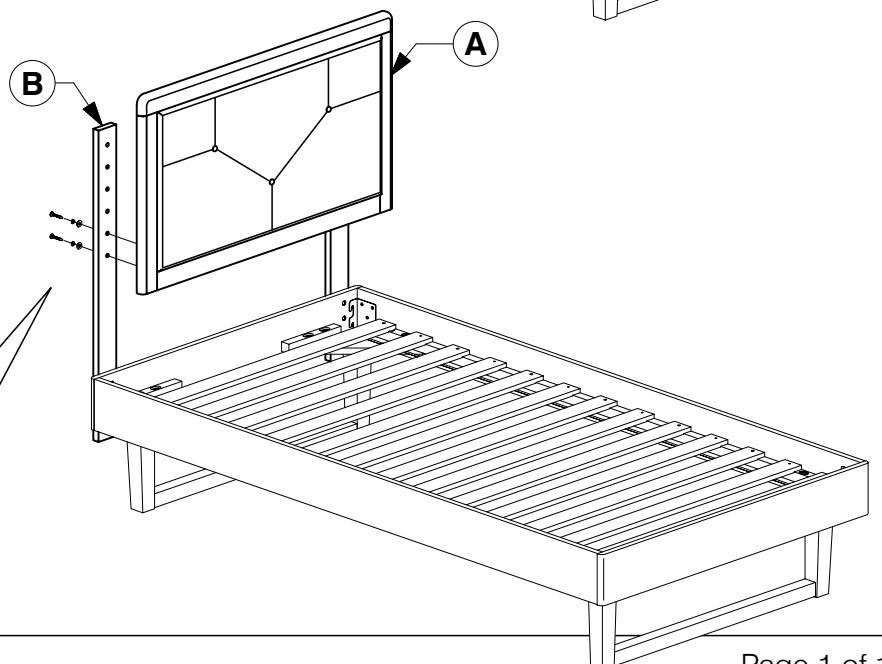
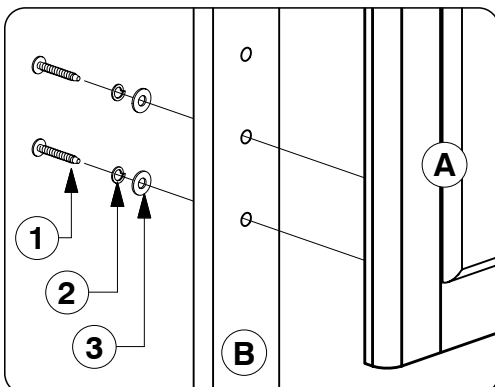
**4** Allen Key  
x 1

**Note:** Do not assemble using power tools. This can cause the bolts to be overtightened

### 3 Assemble the Support Bars (B) to the Headboard Panel.



### 4 Assemble the Headboard Panel (A) to the Support Bars (B).

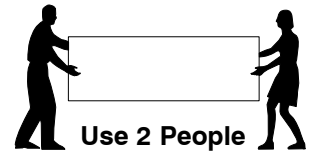
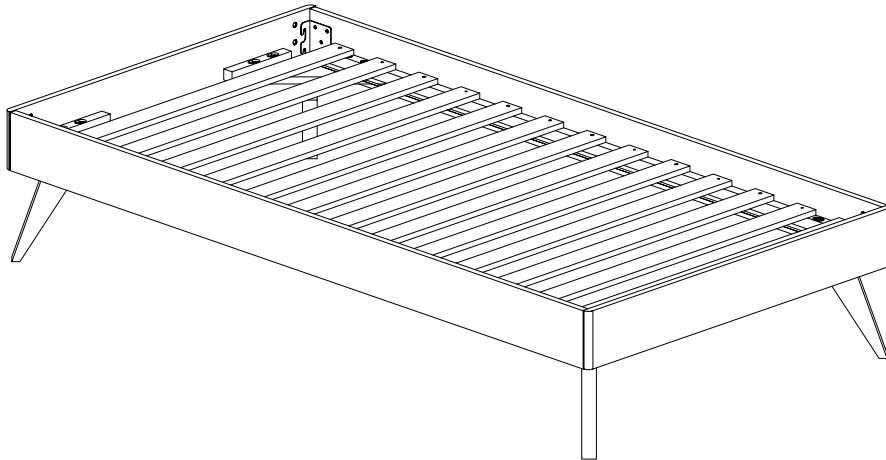


# 9704 Twin Bed

## Assembly Instructions

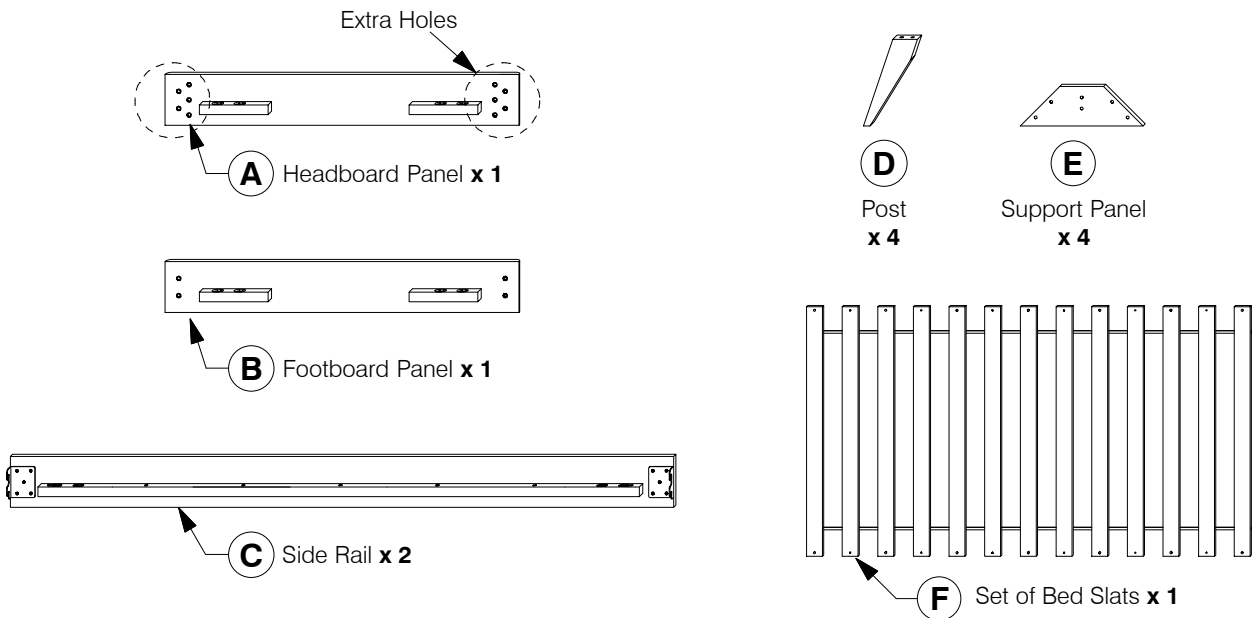
W11-0720

### 1 Assembled View



**Note:** Do not assemble using power tools. This can cause the bolts to be overtightened

### 2 Parts List



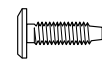
### 3 Hardware List



**1** M6 x 50mm JCB x 16



**2** M6 x 40mm JCB x 14



**3** M6 x 20mm JCB x 8



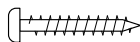
**4** M8 x 50mm JCB x 8



**5** Spring Washer x 24



**6** Flat Washer x 24



**7** Wood Screw (M4 x 32mm) x 12



**8** M4 Allen Key x 1



**9** M5 Allen Key x 1

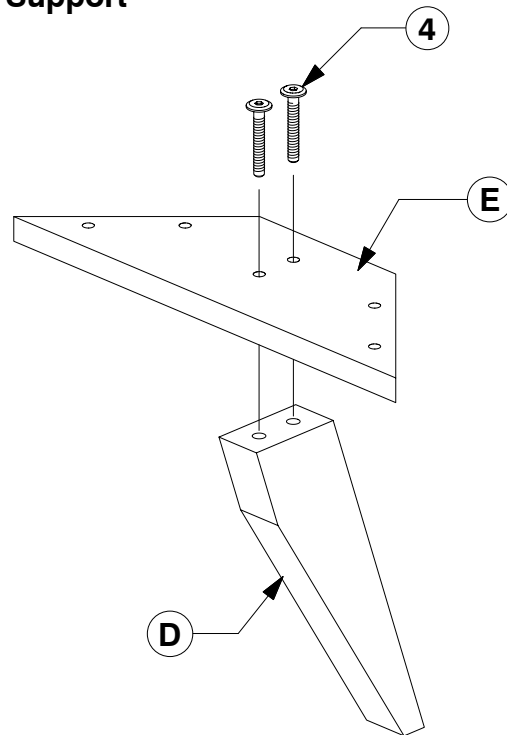
# 9704 Twin Bed

## Assembly Instructions

W11-0720

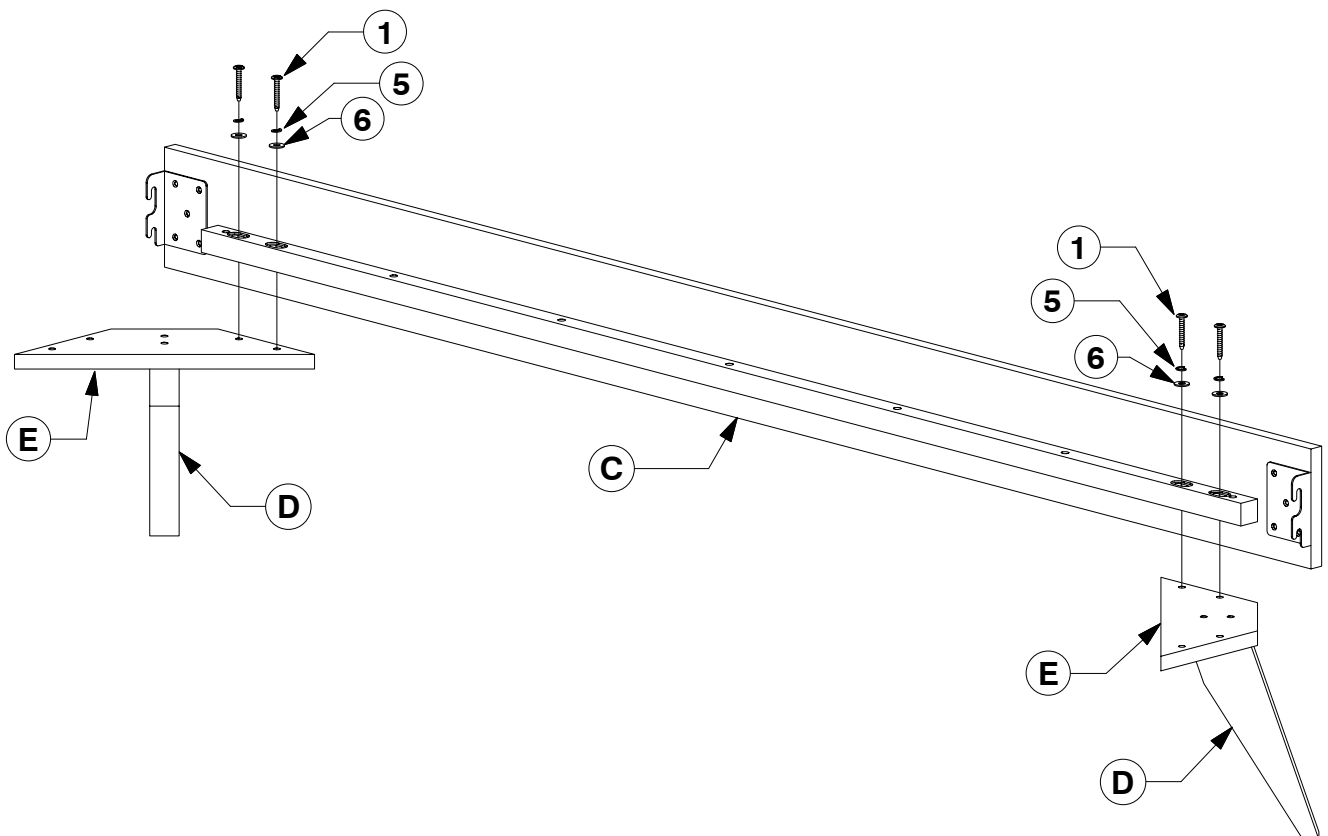
- 4** Fit the Post (D) to the Support Panel (E).

x4



- 5** Bolt the Post & Support Panel (D & E) to the Side Rail (C).

x2

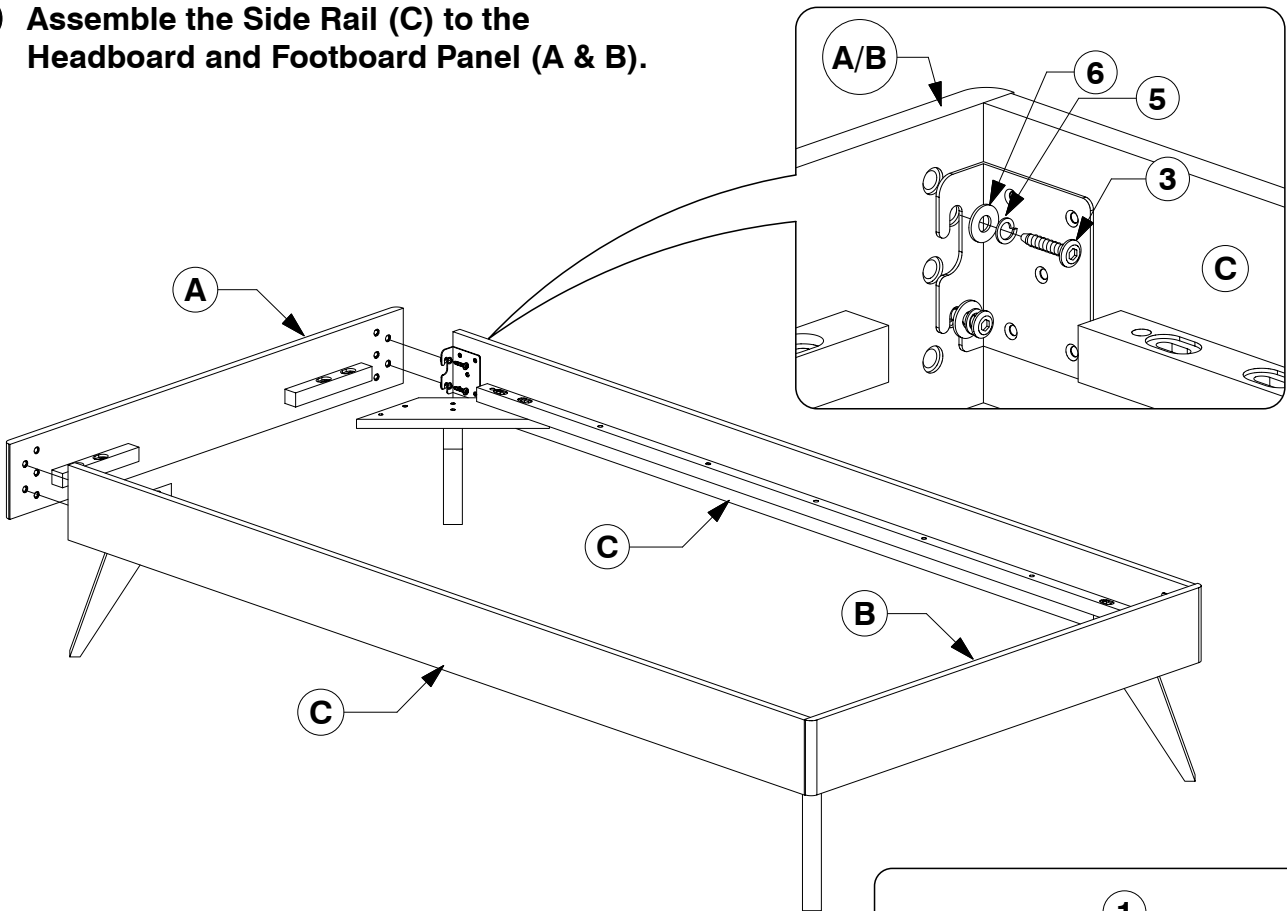


# 9704 Twin Bed

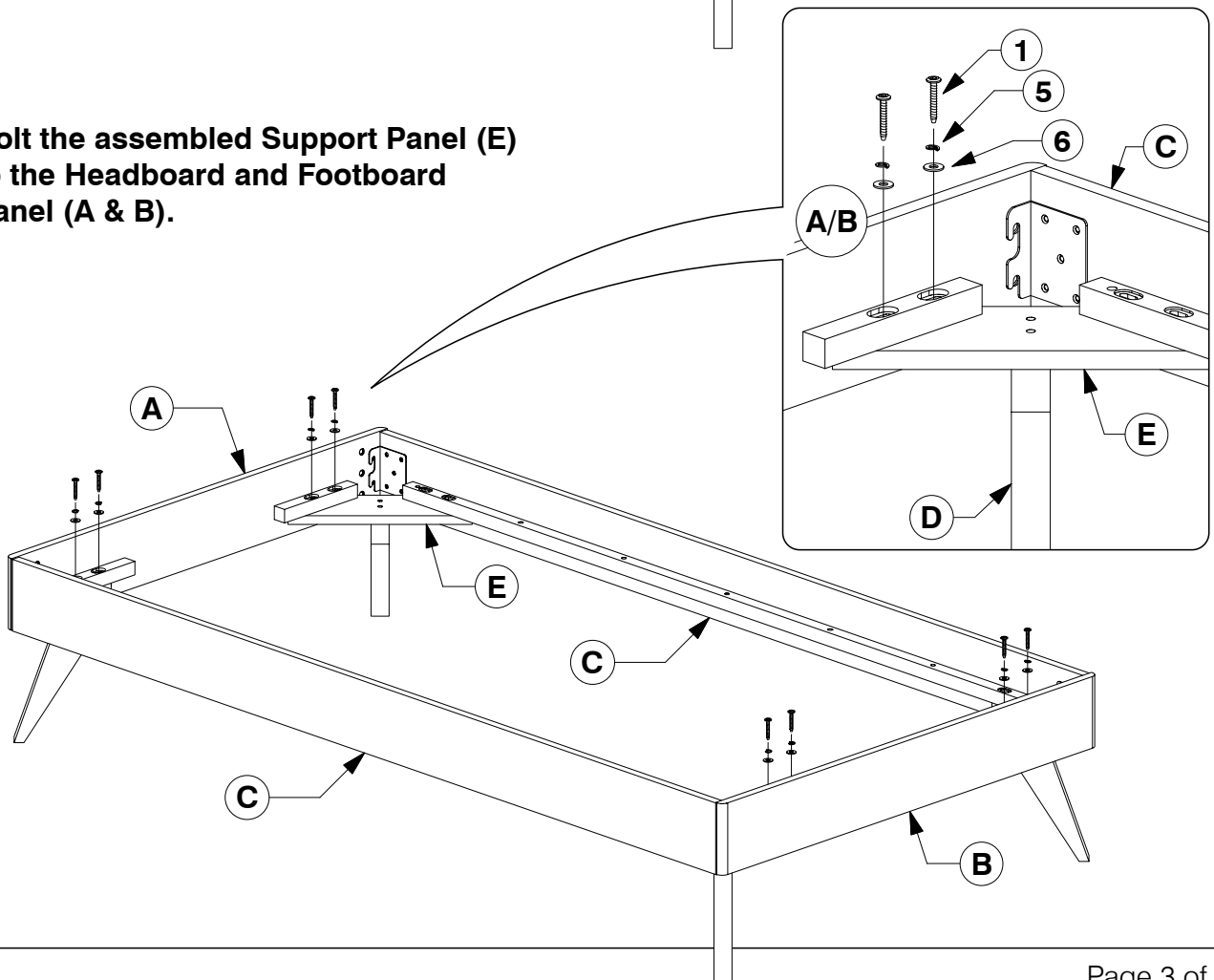
## Assembly Instructions

W11-0720

- 6** Assemble the Side Rail (C) to the Headboard and Footboard Panel (A & B).



- 7** Bolt the assembled Support Panel (E) to the Headboard and Footboard Panel (A & B).

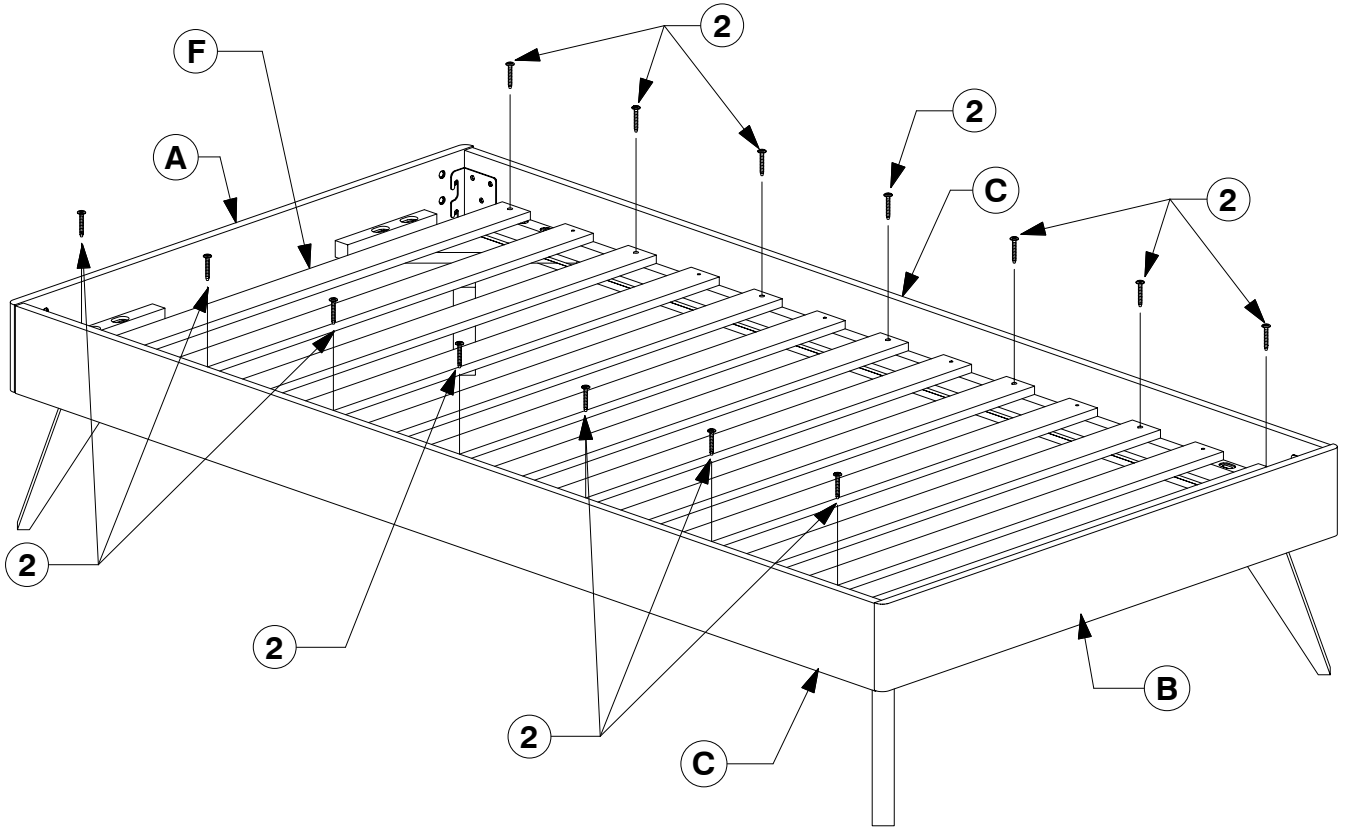


# 9704 Twin Bed

## Assembly Instructions

W11-0720

### 8 Bolt the Bed Slats (F) to the Side Rail (C).



### 9 Screw the Bed Slats (F) to the Side Rail (C).

