

ASSEMBLY INSTRUCTION

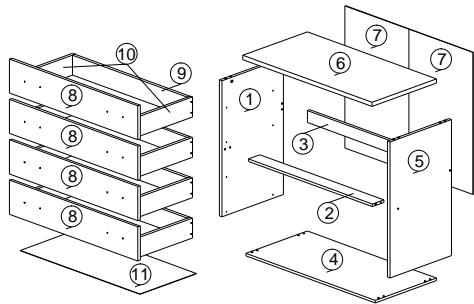
MODEL : BR 888024

DESCRIPTION : 4 DRAWERS CHEST

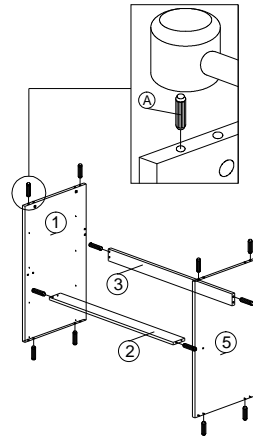
HARDWARE

A WOOD DOWEL 8 X 25 1X12	B CB SCREW M3.5X16MM 1X64	C CB SCREW M4X38MM 1X48	D CSK CAP WOOD M6X50MM 1X8	E NAIL 5/8 1X60	F L KEY 1X1	G MINIFIX CAP 1X8	H H1 H2 MINIFIX 5654+5546 4 SETS	I MOON HANDLE 96MM (PVC) 1X8	J J1 J2 DRAWER SLIDE 14" 4 SETS	K 38100 PVC LEG 1X4
--	---	---	--	----------------------------------	------------------------------	------------------------------------	--	--	---	--------------------------------------

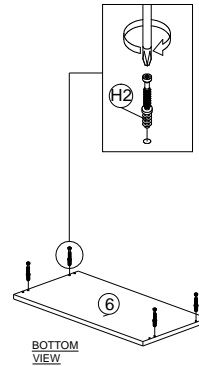
PART LIST



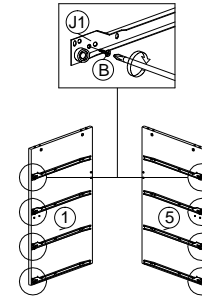
STEP 1



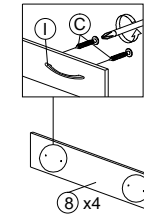
STEP 2



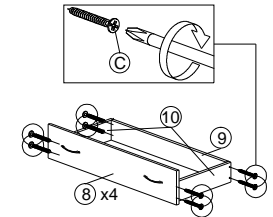
STEP 3



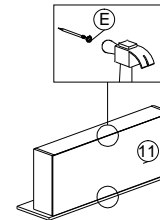
STEP 4



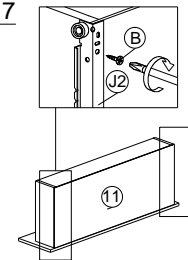
STEP 5



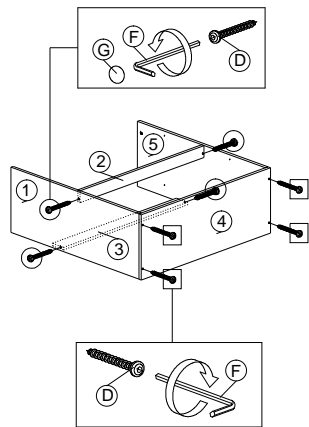
STEP 6



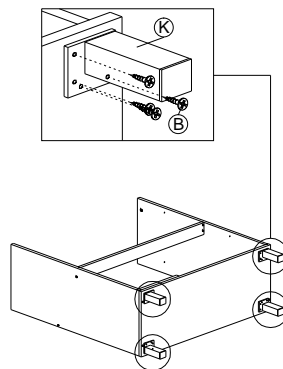
STEP 7



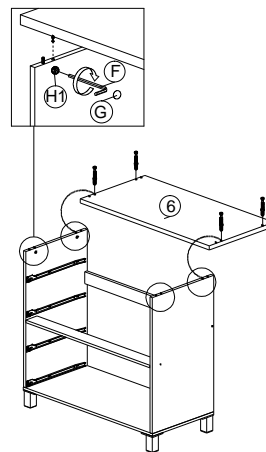
STEP 8



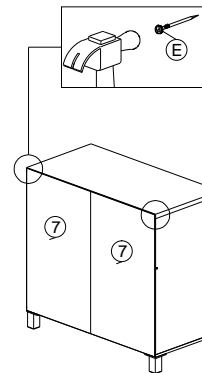
STEP 9



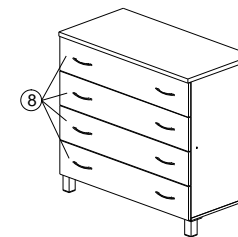
STEP 10



STEP 11



STEP 12



COMPLETED

