
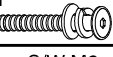
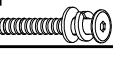


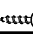



# ASSEMBLY INSTRUCTIONS

## MODEL : DIVO LOUNGE CHAIR

- IMPORTANT NOTE :**
- \* PLACE ALL WOODEN PARTS ON A CLEAN AND SMOOTH SURFACE SUCH AS A RUG OR CARPET TO AVOID THE PARTS FROM BEING SCRATCHED.
  - \* BEFORE YOU BEGIN, KINDLY FOLLOW THE ASSEMBLY INSTRUCTIONS STEP BY STEP.
  - \* DO NOT TIGHTEN ALL SCREWS UNTIL THE CHAIR IS FULLY SET-UP.

HARDWARE LIST		PART LIST	
A	JCBC M6 x 30mm + S/W M6 + F/W M6 x 13mm 	4PCS	1 RIGHT SIDE FRAME 1PC
B	JCBC M6 x 50mm + S/W M6 + F/W M6 x 13mm 	2PCS	2 LEFT SIDE FRAME 1PC
C	JCBC M6 x 55mm + S/W M6 + F/W M6 x 13mm 	2PCS	3 FRONT STRETCHER 1PC
D	ALLEN KEY M4 	1PC	4 BACK STRETCHER 1PC
E	L BRACKET 	4PCS	5 TOP REST 1PC
F	PH SCREW M4 x 12mm 	8PCS	6 CUSHION SEAT 1PC
G	WOOD DOWEL M8 x 25mm 	2PCS	

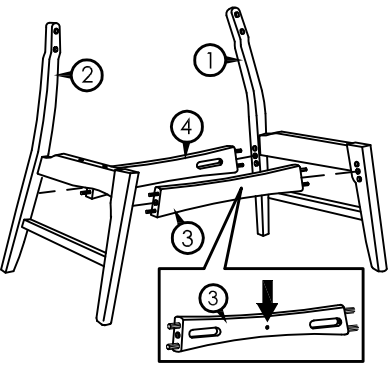
**CAUTIONS :**

(1) DO NOT FULLY-TIGHTEN THE NUT OR NUT BOLTS INITIALLY UNTIL ALL NUTS OR BOLT IS READY ASSEMBLED.

(TO AVOID CAUSING DAMAGES TO THE THREAD, DO NOT OVER-TIGHTEN THE NUTS OR BOLTS.)

(2) KEEP ALL HARDWARE PART OUT OF REACH OF CHILDREN.

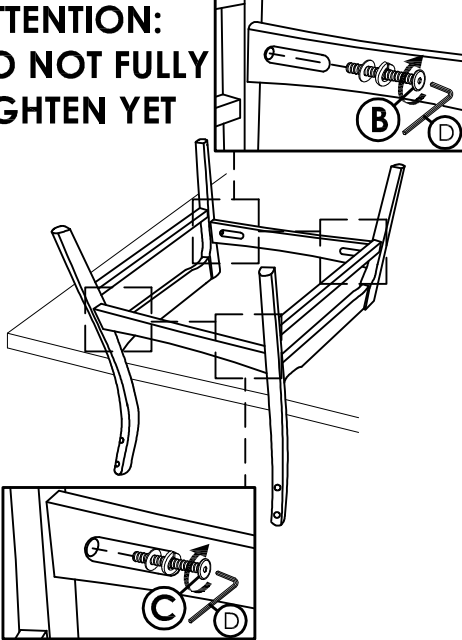
**STEP 1**



Front Stretcher has a small hole for identification.

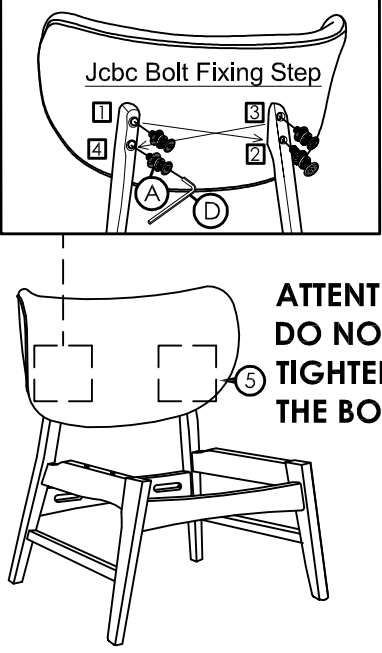
**STEP 2**

**ATTENTION: DO NOT FULLY TIGHTEN YET**



**STEP 3**

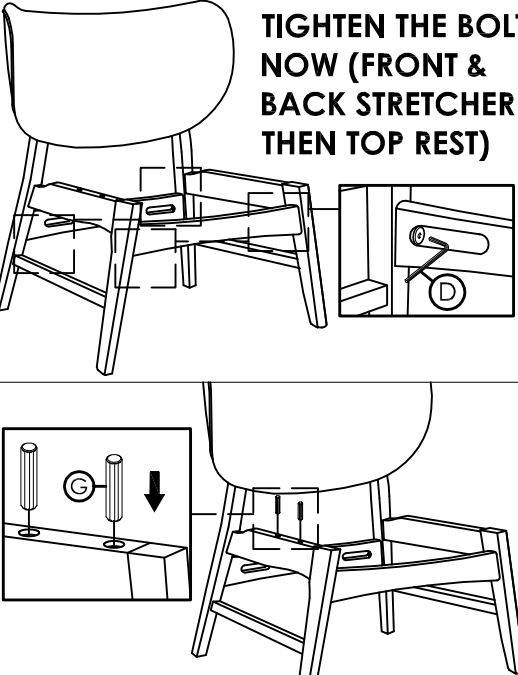
Jcbc Bolt Fixing Step



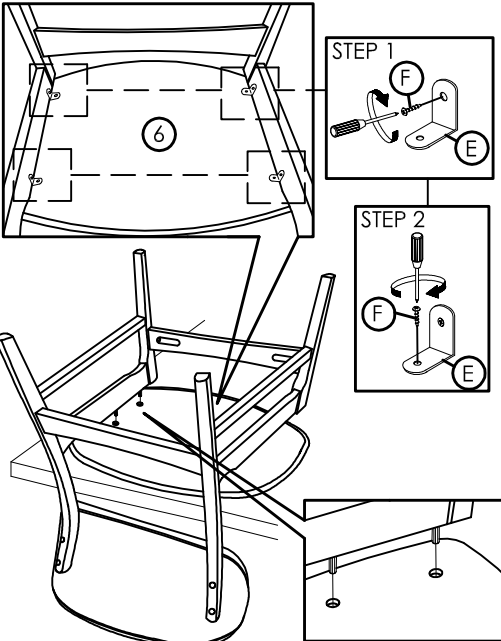
**ATTENTION: DO NOT FULLY TIGHTEN THE BOLT**

**STEP 4**

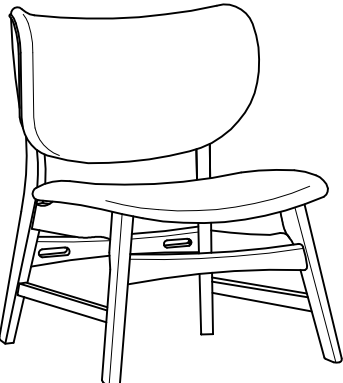
**ATTENTION: PLEASE FULLY TIGHTEN THE BOLT NOW (FRONT & BACK STRETCHER THEN TOP REST)**



**STEP 5**



**STEP 6**



COMPLETED LONG CHAIR ASSEMBLY.