

ASSEMBLY INSTRUCTION

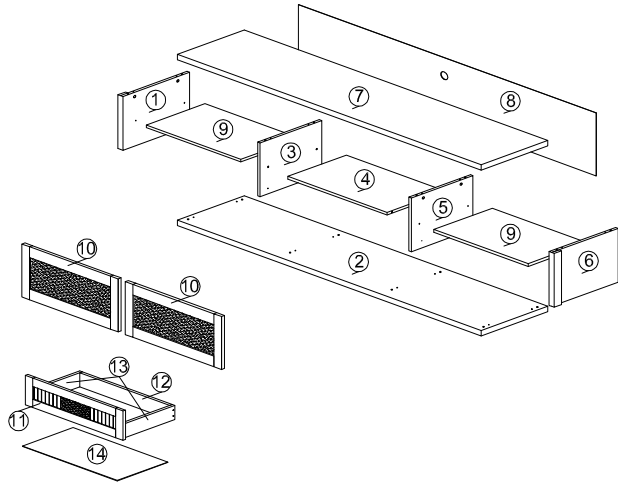
MODEL : TV 834128

DESCRIPTION : TV CABINET

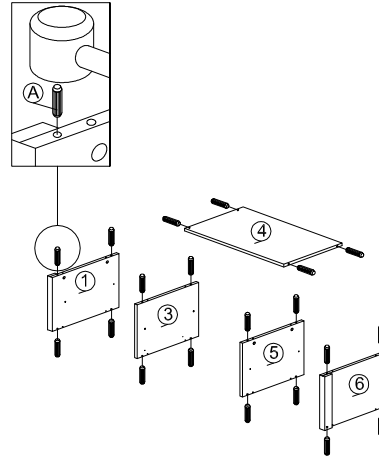
HARDWARE

A WOOD DOWEL 8 X 25 1X20	B 16MM CB SCREW M3.5X16MM 1X60	C 38MM CB SCREW M4X38MM 1X8	D 65MM CB SCREW M4X65MM 1X8	E NAIL 5/8 1X30	F L KEY 1X1	G G1 G2 G3 MINIFIX 5654+5546 QUICKFIT CAP 8 SETS	H H1 H2 DRAWER SLIDE 12" 1 SET	I 5038 PVC LEG 1X5	J J1 J2 K455 ROLLER 4 SETS	K METAL SHELF SUPPORT 1X8	L MIRROR BRACKET 1X16
--	---	--	--	----------------------------------	------------------------------	---	--	--	---	--	---

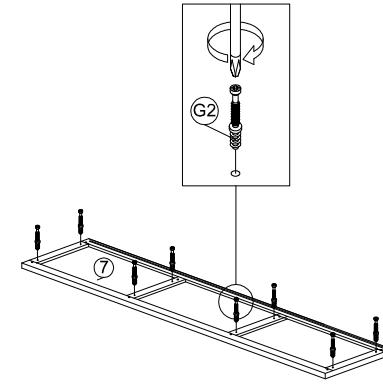
PART LIST



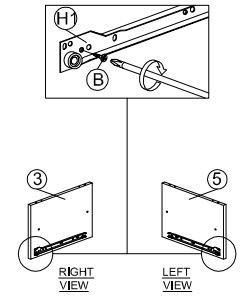
STEP 1



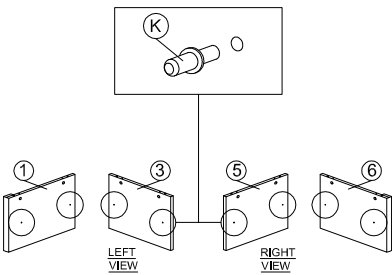
STEP 2



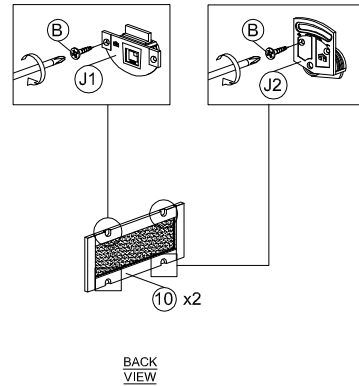
STEP 3



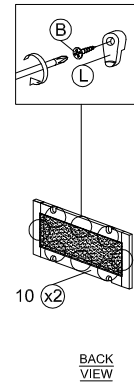
STEP 4



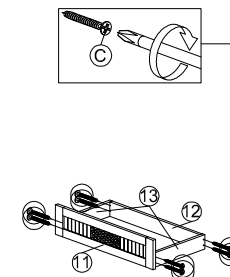
STEP 5



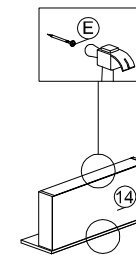
STEP 6



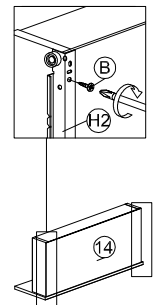
STEP 7



STEP 8

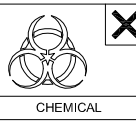


STEP 9

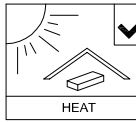




SOFT, DRY CLOTH



CHEMICAL



HEAT



KEEP DRY



HANDLE WITH CARE



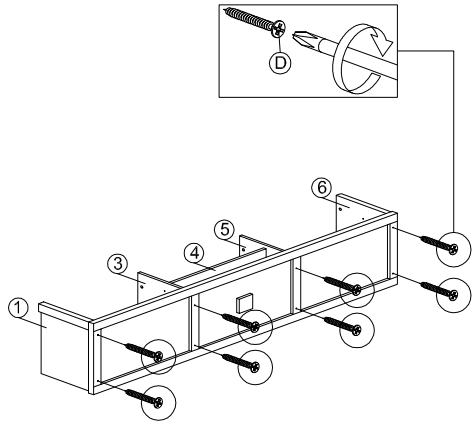
DO NOT USE KNIFE

ASSEMBLY INSTRUCTION

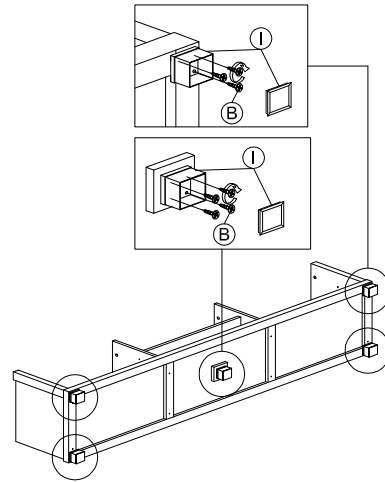
MODEL : TV 834128

DESCRIPTION : TV CABINET

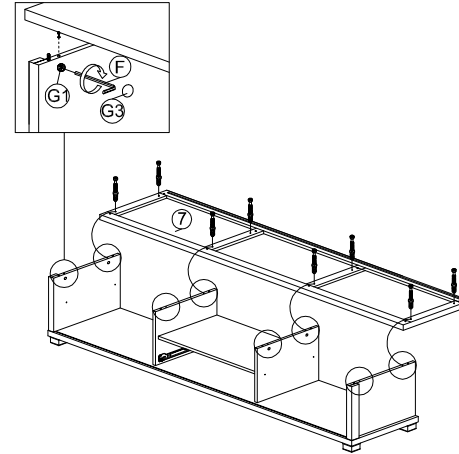
STEP 10



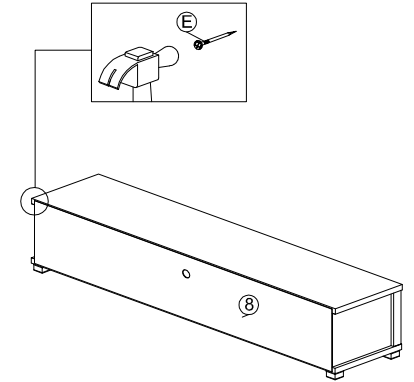
STEP 11



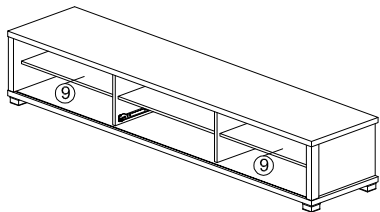
STEP 12



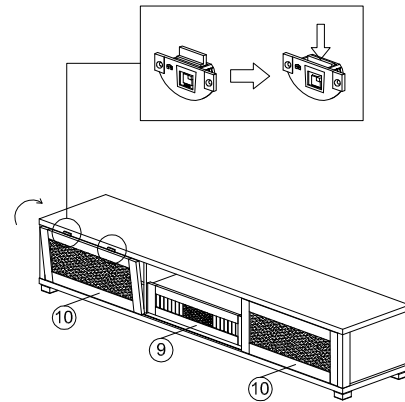
STEP 13



STEP 14



STEP 15



COMPLETED

