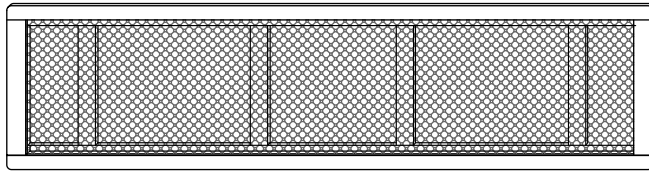


King Headboard

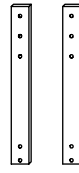
Assembly Instructions

W11-0419

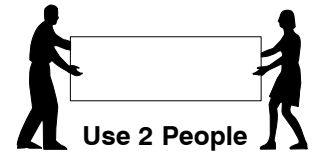
1 Parts List



A Headboard Panel x 1



B Support Bar x 2



2 Hardware List



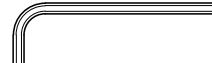
1 M6 x 35mm JCB x 6



2 Spring Washer x 6



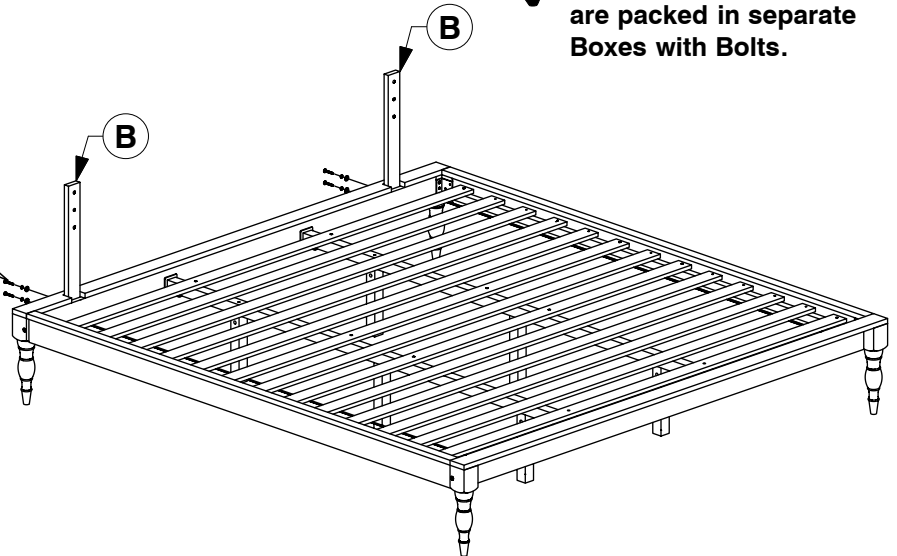
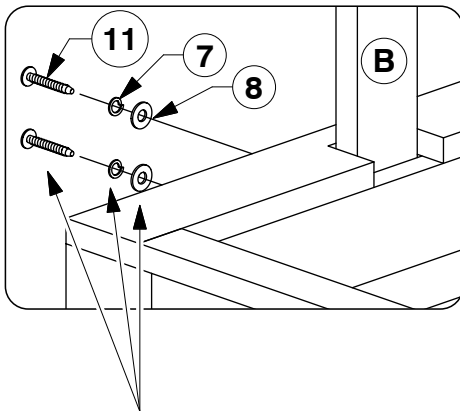
3 Flat Washer x 6



4 Allen Key x 1

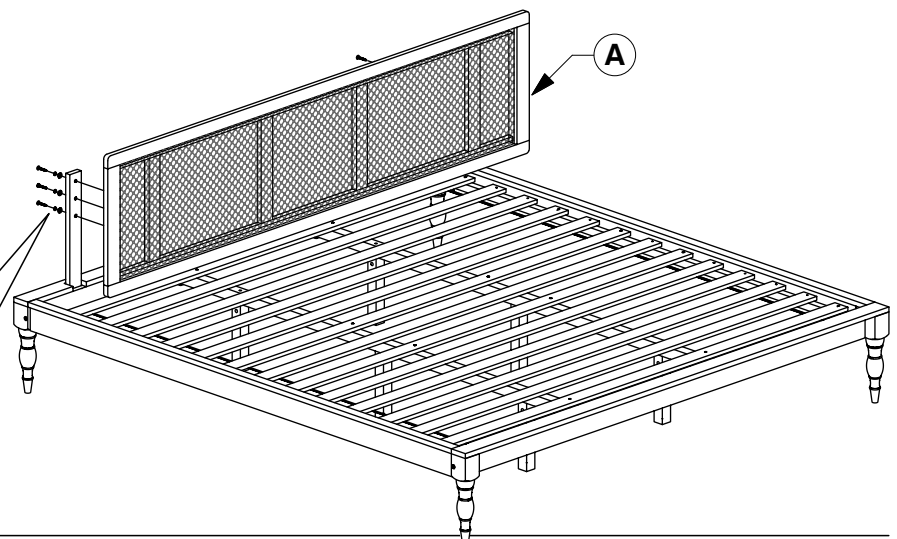
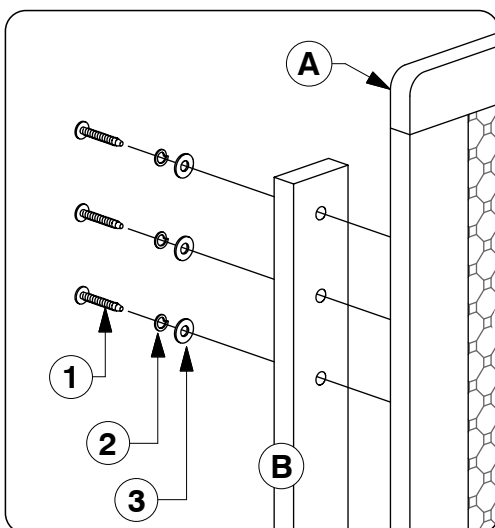
Note: Do not assemble using power tools. This can cause the bolts to be overtightened

3 Assemble the Support Bars (B) to the Headboard Panel.



Note: Bolts & Washers from Footboard, Rails & Slats Box.

4 Assemble the Headboard Panel (A) to the Support Bars (B).

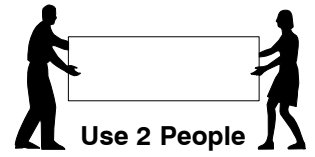
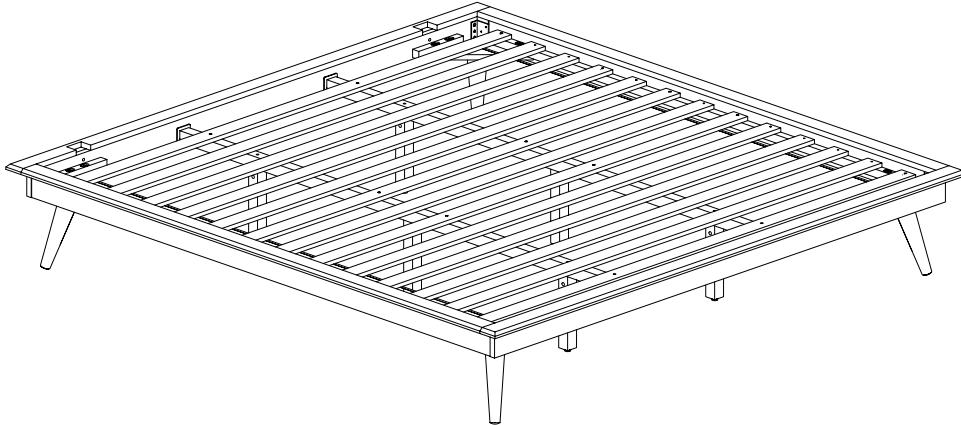


0004 King Bed

Assembly Instructions

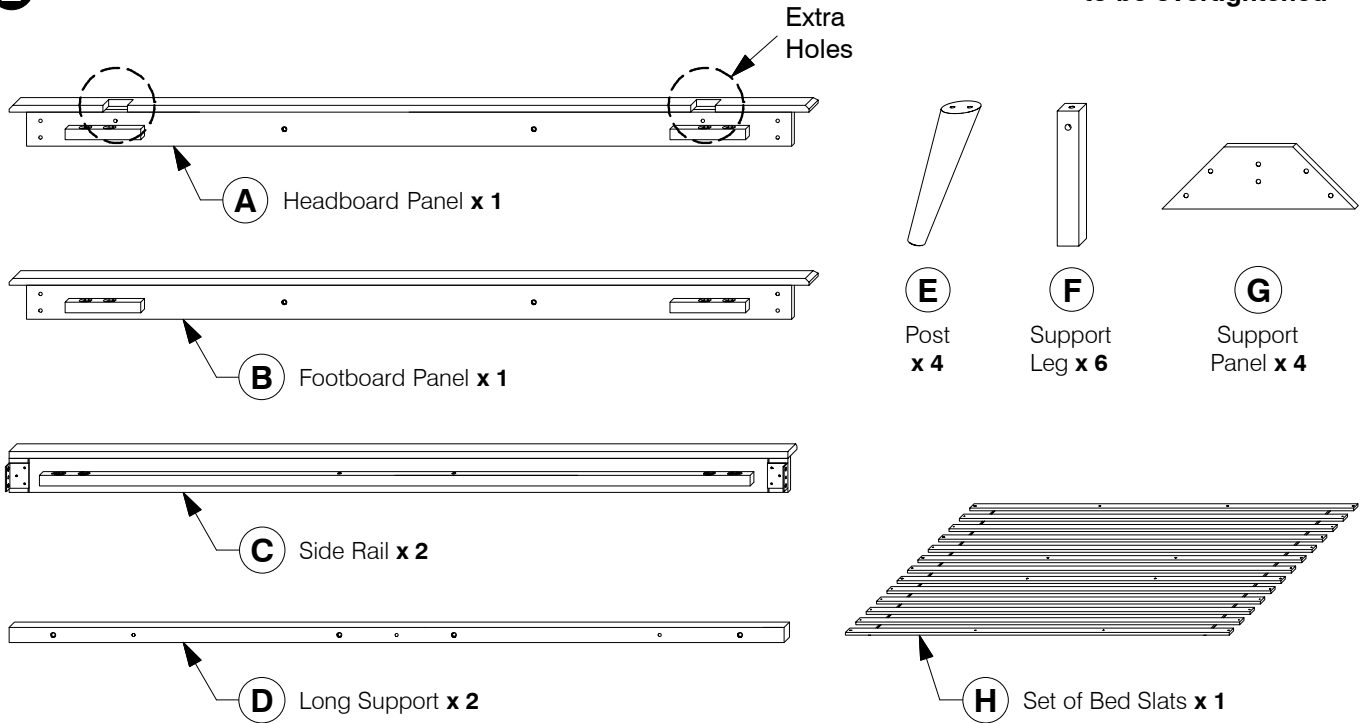
WII-0819

1 Assembled View

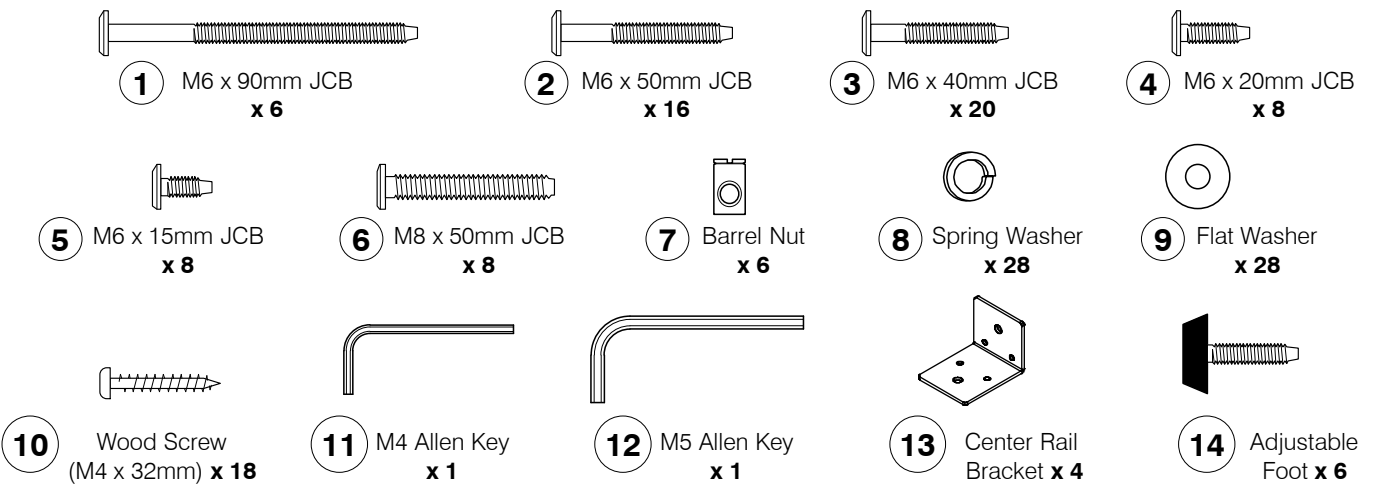


Note: Do not assemble using power tools. This can cause the bolts to be overtightened

2 Parts List



3 Hardware List

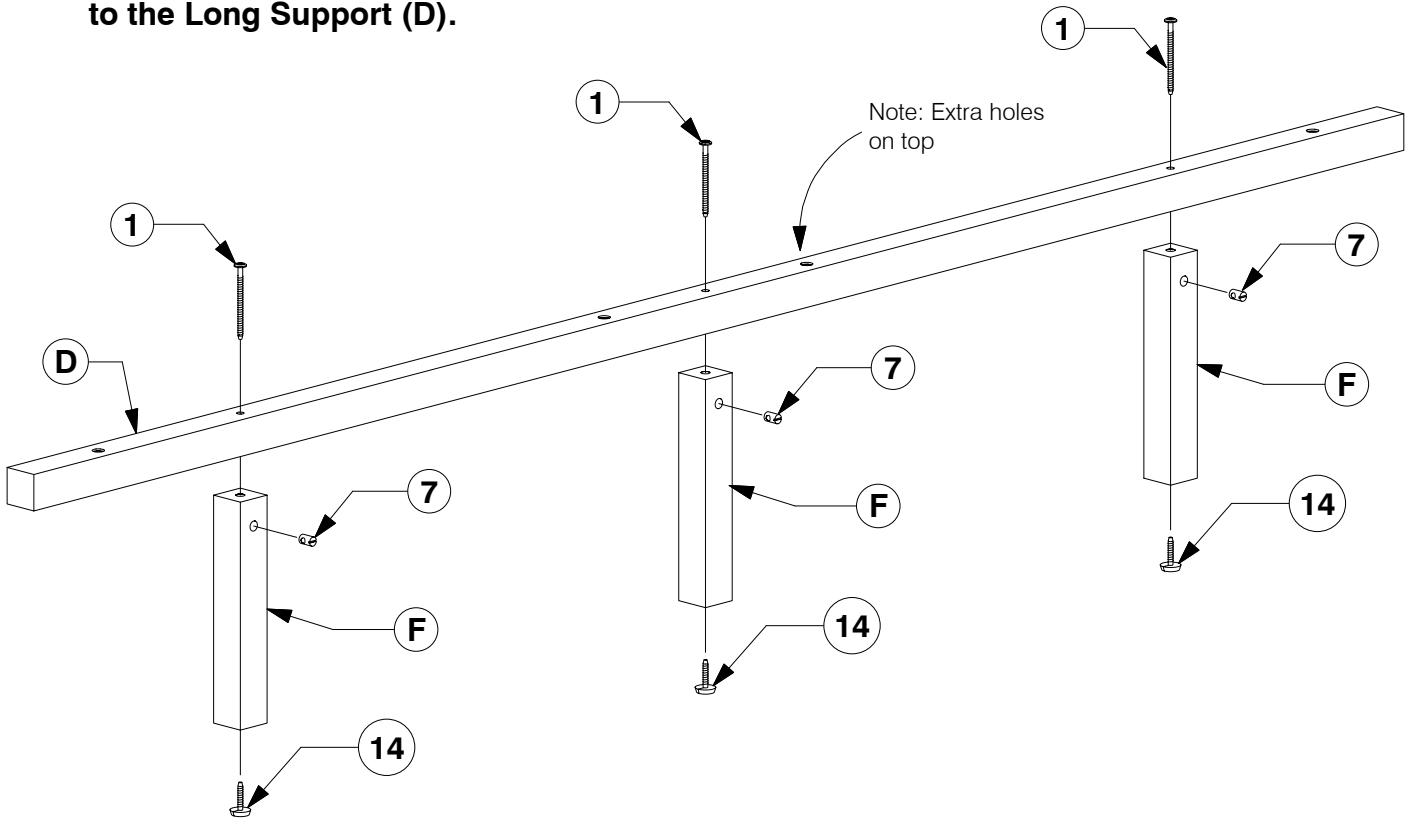


0004 King Bed

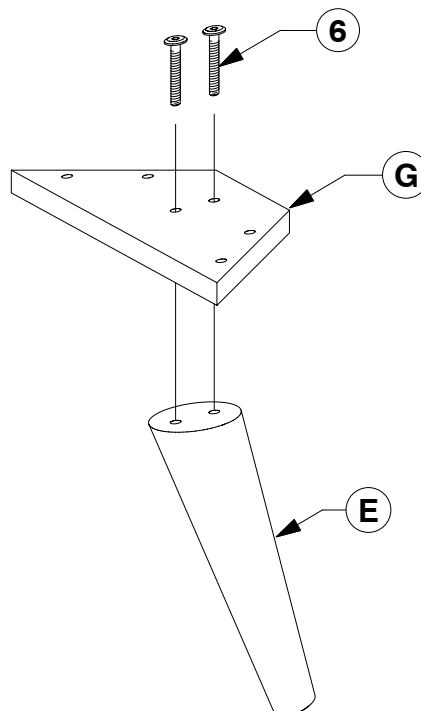
Assembly Instructions

WII-0819

4 Assembled the Support Legs (F) to the Long Support (D).



5 Fit the Post (E) to the Support Panel (G).

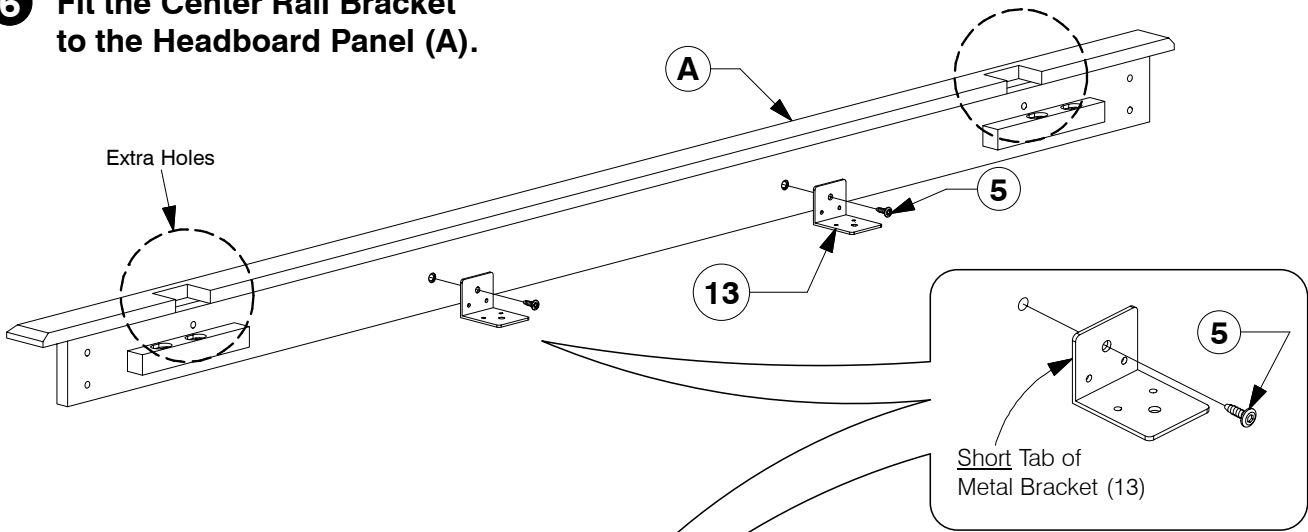


0004 King Bed

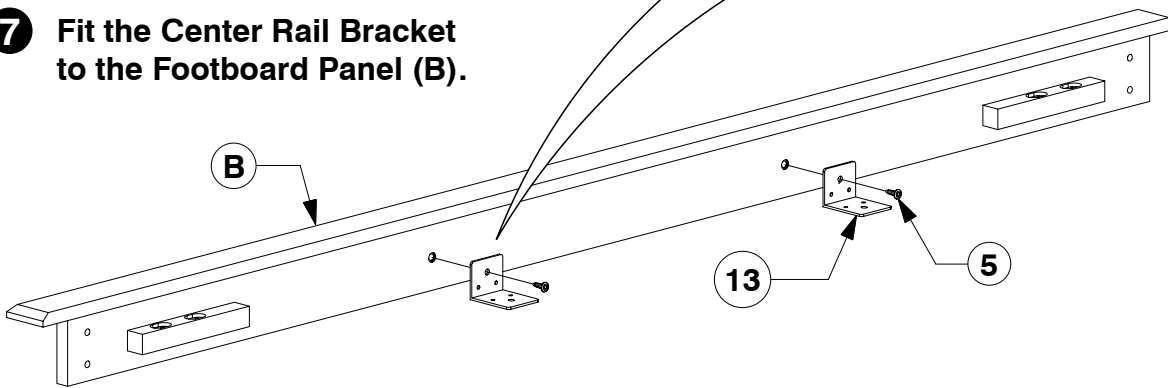
Assembly Instructions

WII-0819

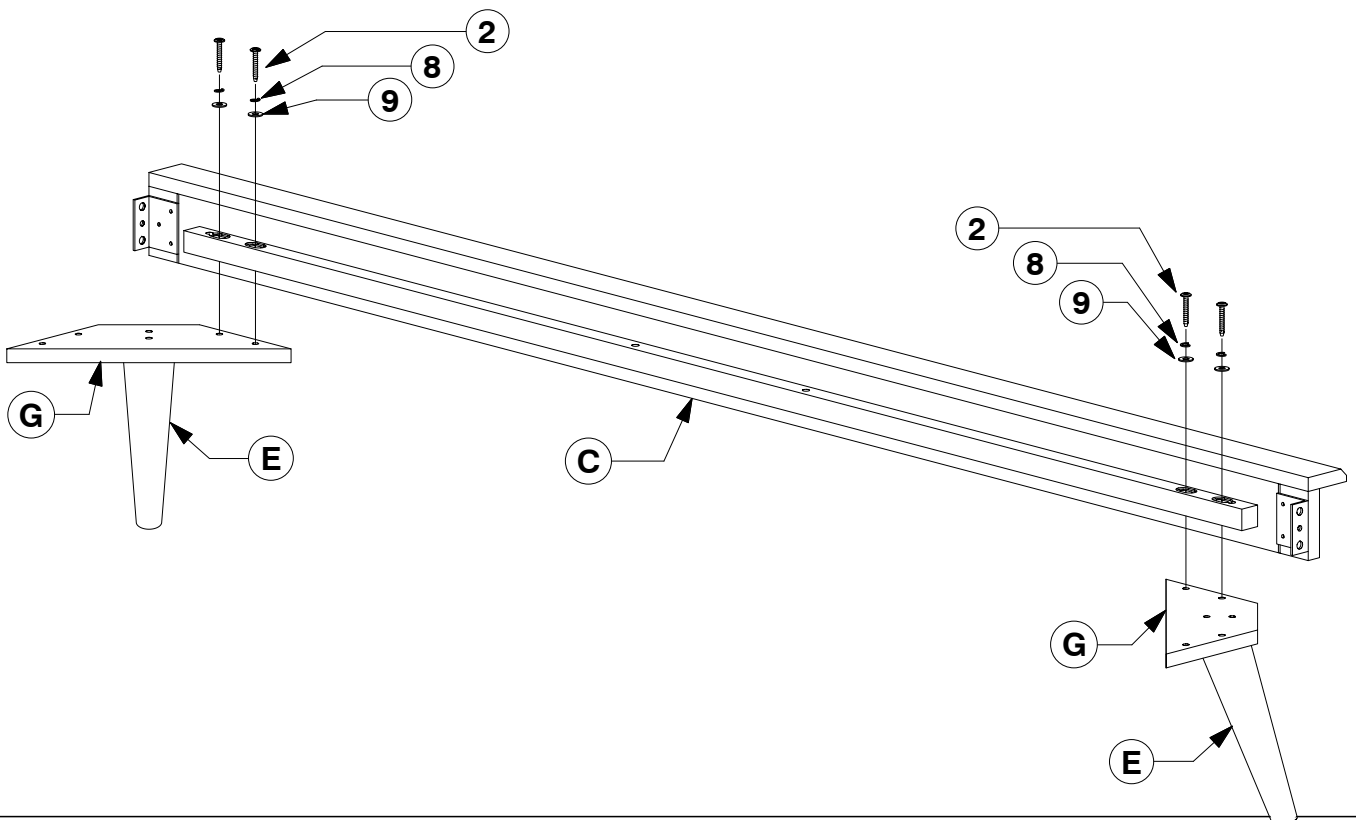
- 6** Fit the Center Rail Bracket to the Headboard Panel (A).



- 7** Fit the Center Rail Bracket to the Footboard Panel (B).



- 8** Bolt the Post & Support Panel (E & G) to the Side Rail (C).

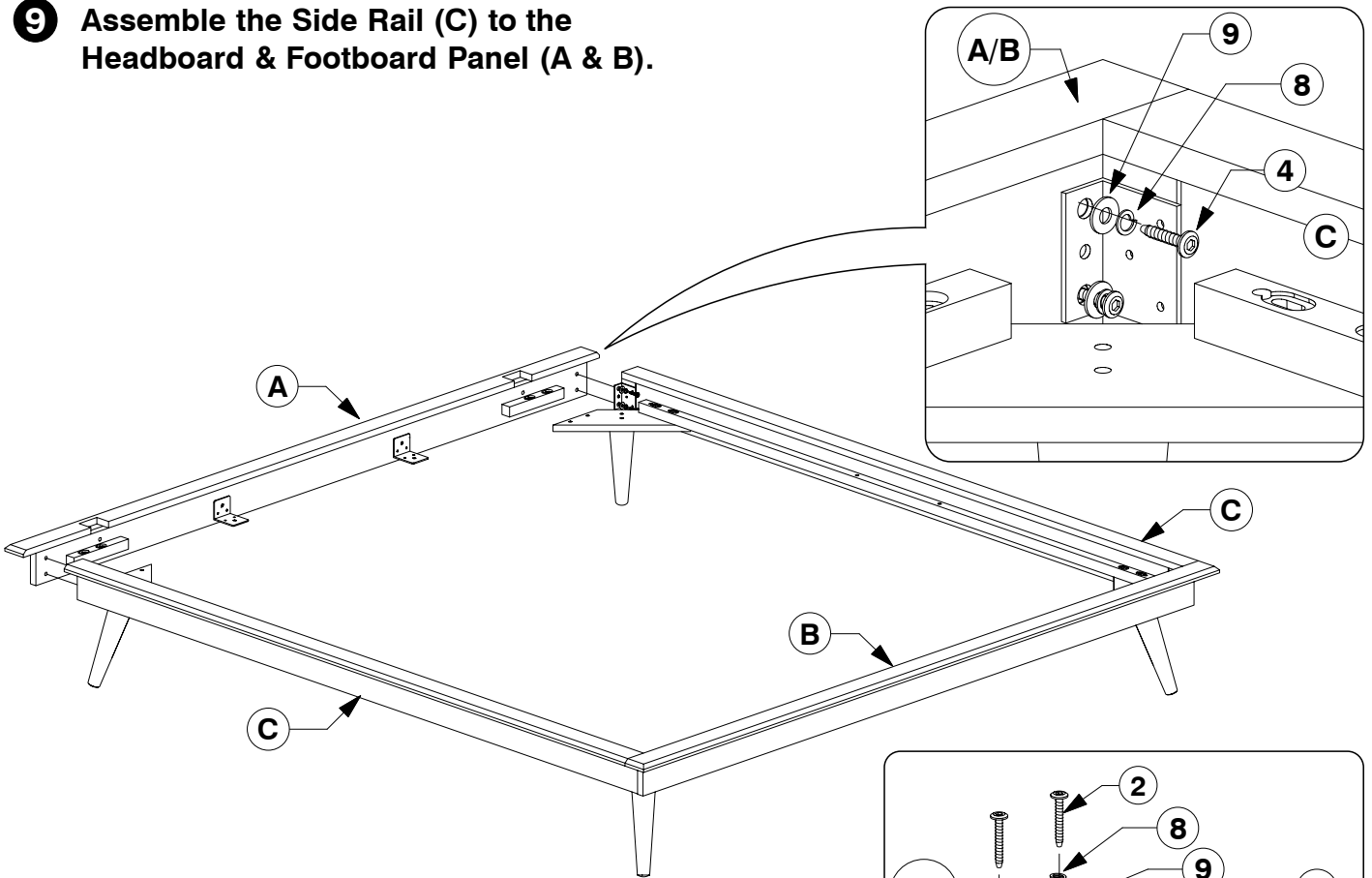


0004 King Bed

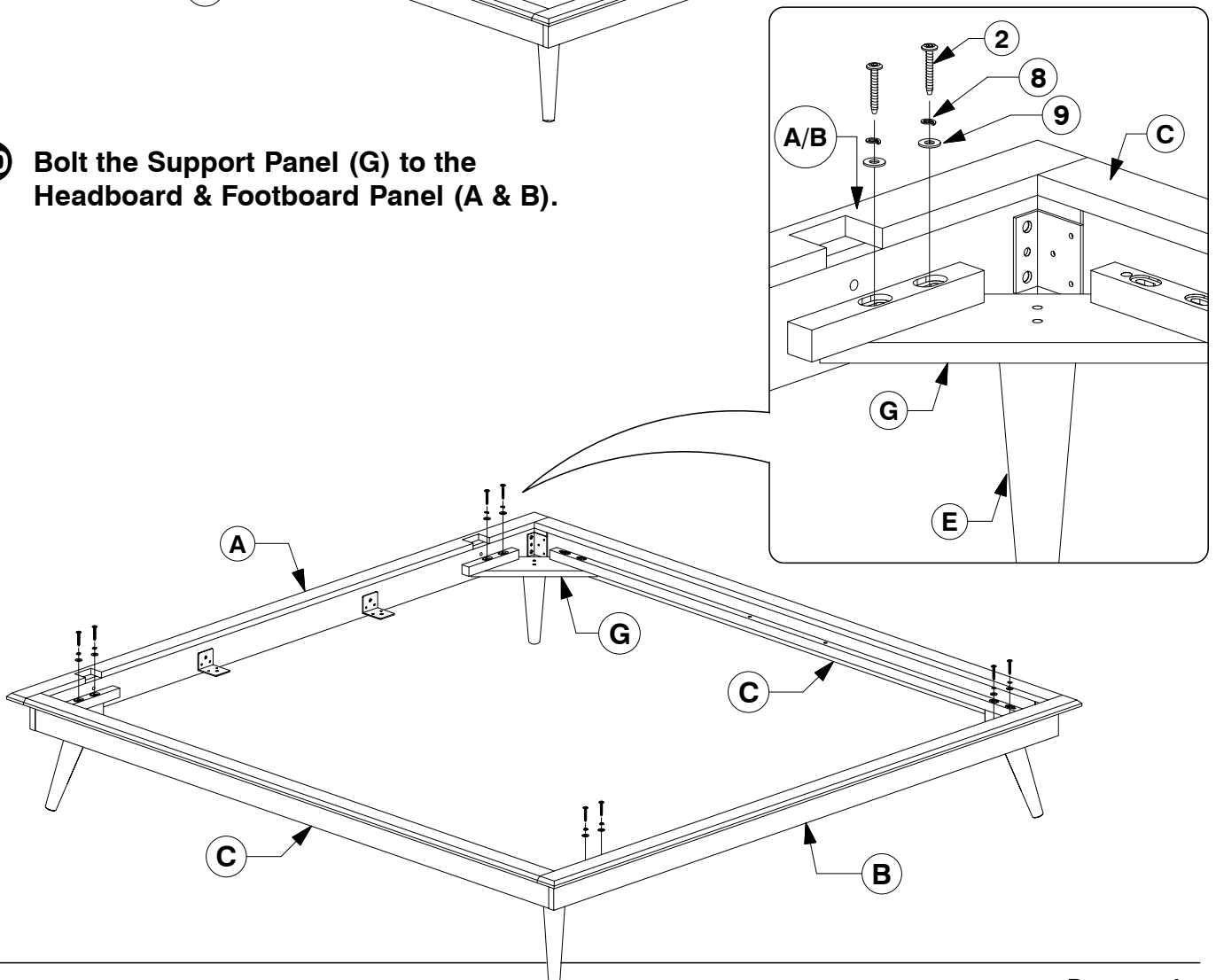
Assembly Instructions

WII-0819

- 9** Assemble the Side Rail (C) to the Headboard & Footboard Panel (A & B).



- 10** Bolt the Support Panel (G) to the Headboard & Footboard Panel (A & B).

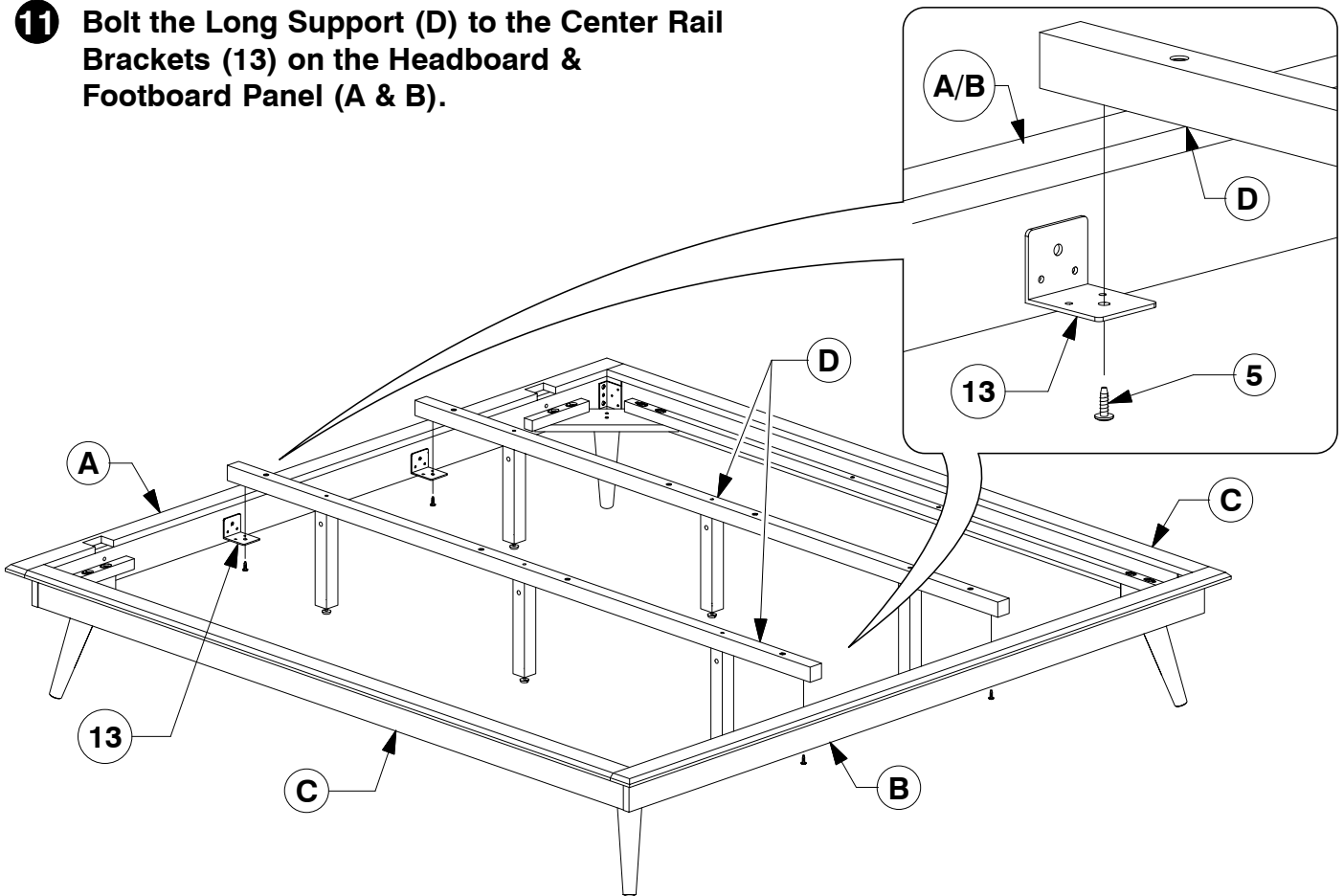


0004 King Bed

Assembly Instructions

WII-0819

- 11** Bolt the Long Support (D) to the Center Rail Brackets (13) on the Headboard & Footboard Panel (A & B).



- 12** Bolt & screw the Bed Slats (H) to the Side Rail (C).

