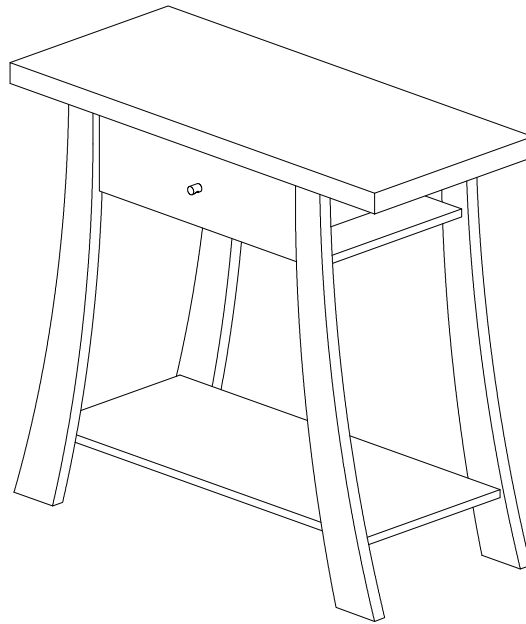
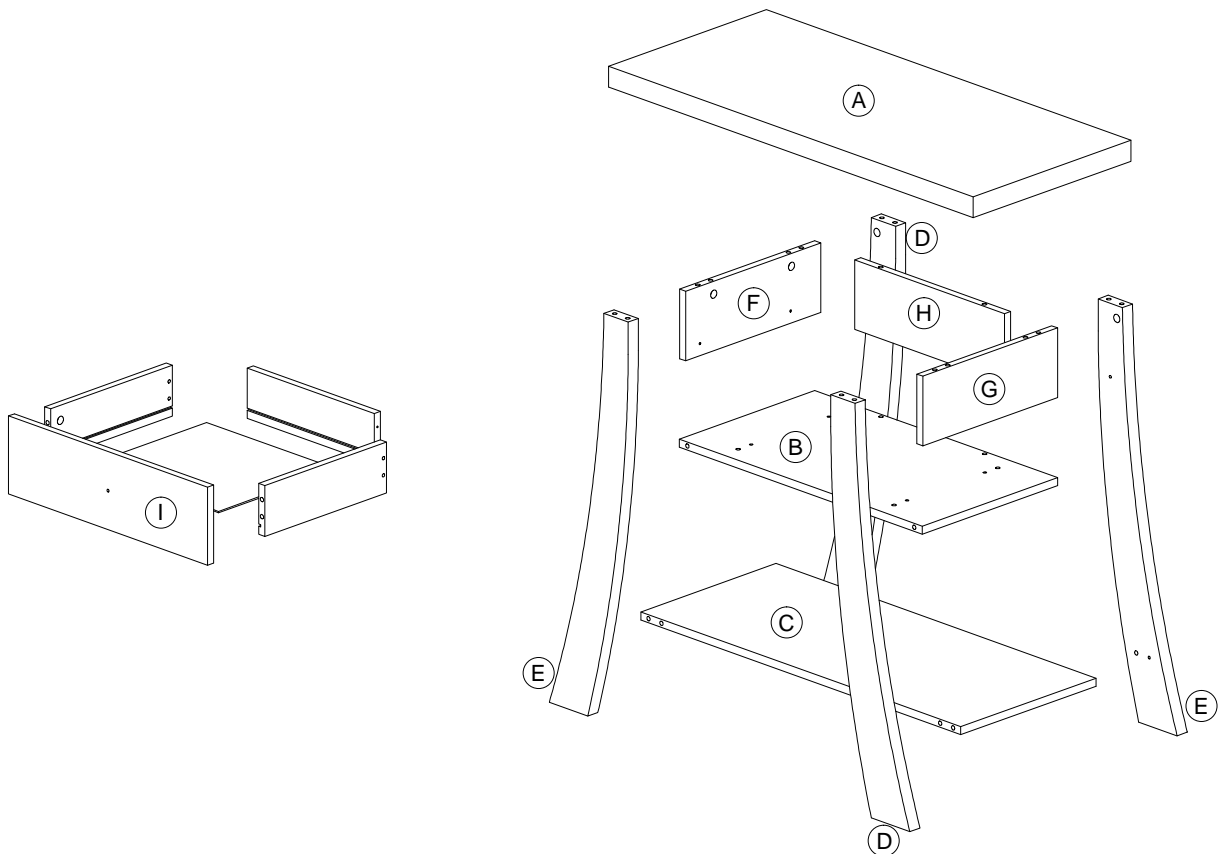


Assembly Instruction

WI11324 , WI11325

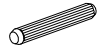

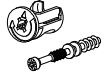
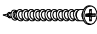

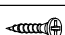

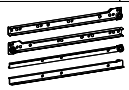






PART LIST



Assembly Instruction

Hardware List

No.	SHAPE	DESCRIPTION	Qty.
1		8x40mm Wood Dowel	8Pcs
2		8x25mm Wood Dowel	14Pcs
3		15MM Myfix Minifix	18Sets
4		M5x40mm Screw	4Pcs
5		M4x38mm Screw	4Pcs
6		M3.5x16mm Screw	4Pcs
7		M5x8mm Screw (Euro Screw)	4Pcs
8		Drawer Slide 12" (300mm)	1Set
9		15mm Minifix Cap	6Pcs

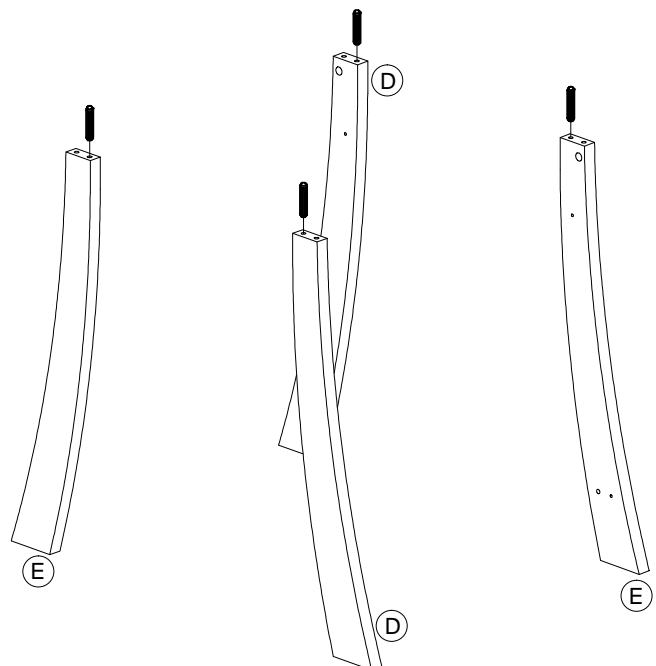
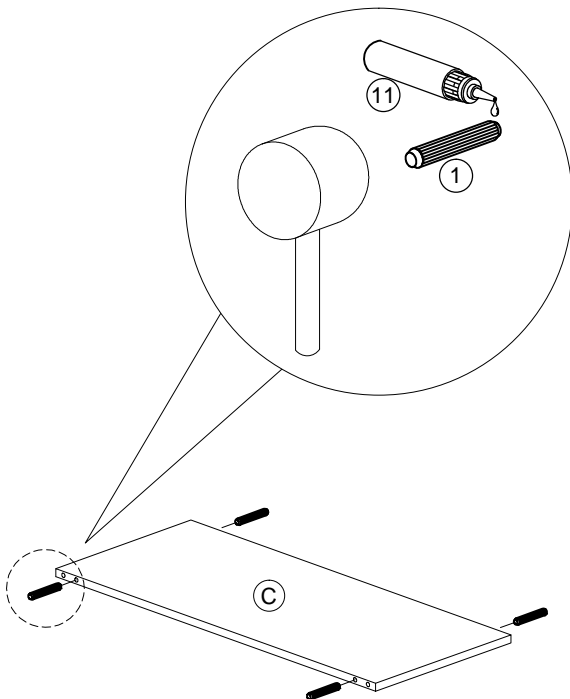
10		Nail Leg	4Pcs
11		Glue	1Pc
12		Handle Wood Ø15x20mm Handle Screw (M4 x 25mm)	1Set

Packing Tipping Restraint

Hardware List

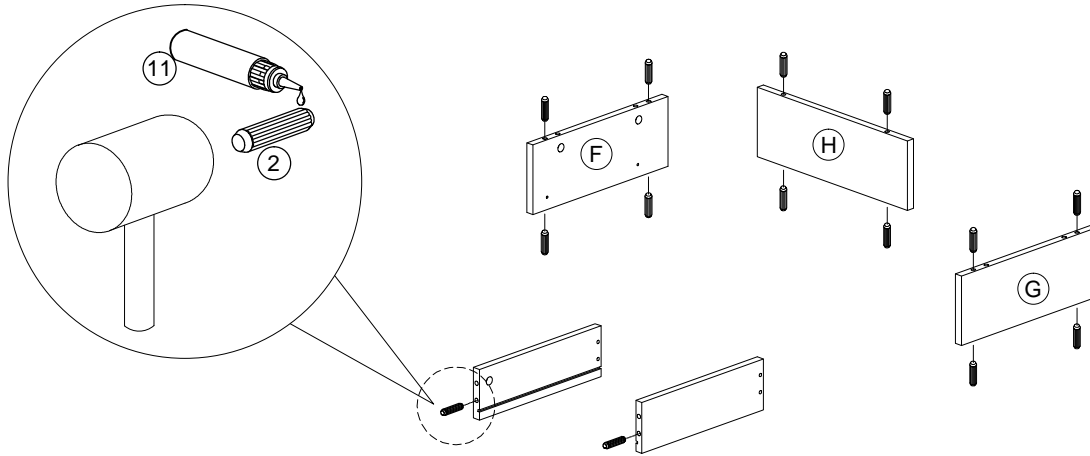
No.	SHAPE	DESCRIPTION	Qty.
13		M3.5x16mm Screw	2Pcs
14		Safety Strap	2Pcs
15		Wall Plug	2Pcs
16		M4x30mm Screw	2Pcs
17		Flat Washer 6x19x2mm	4Pcs

STEP 1

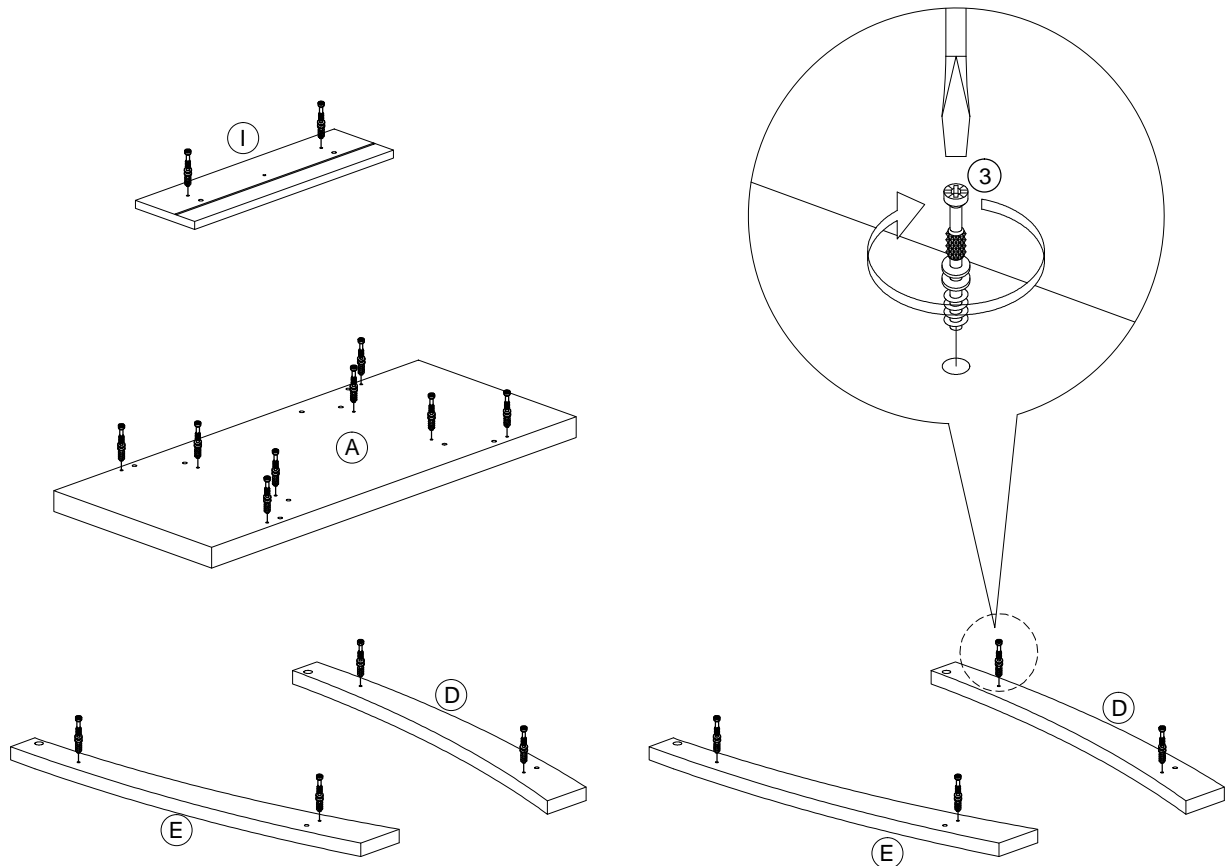


Assembly Instruction

STEP 2

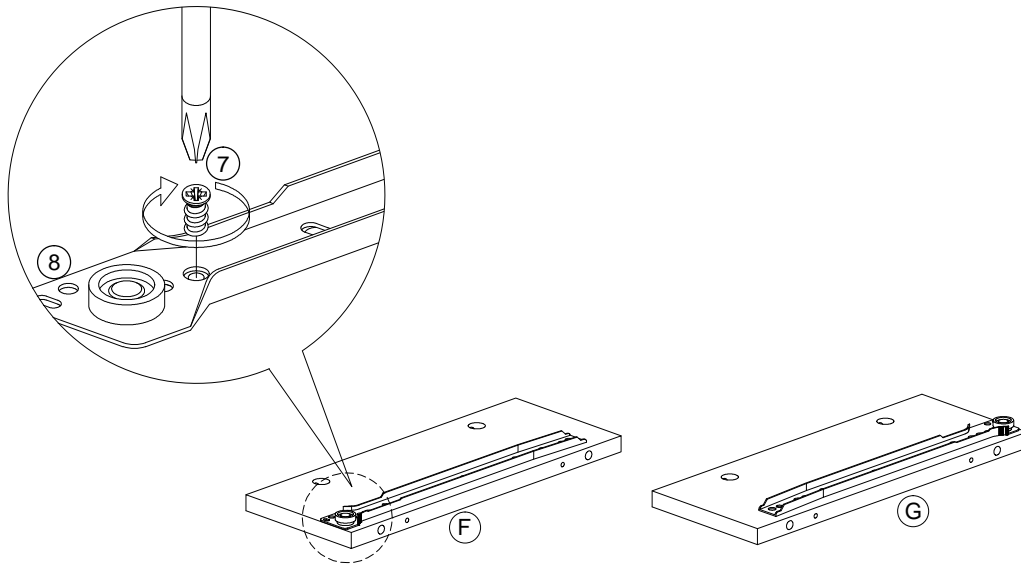


STEP 3

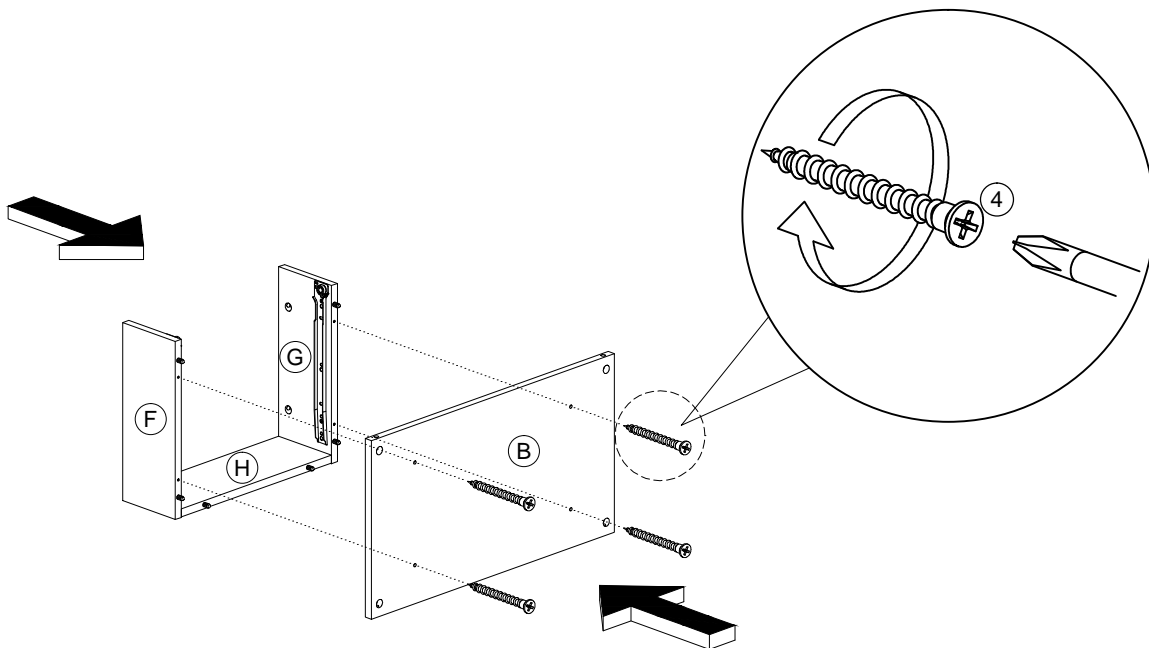


Assembly Instruction

STEP 4

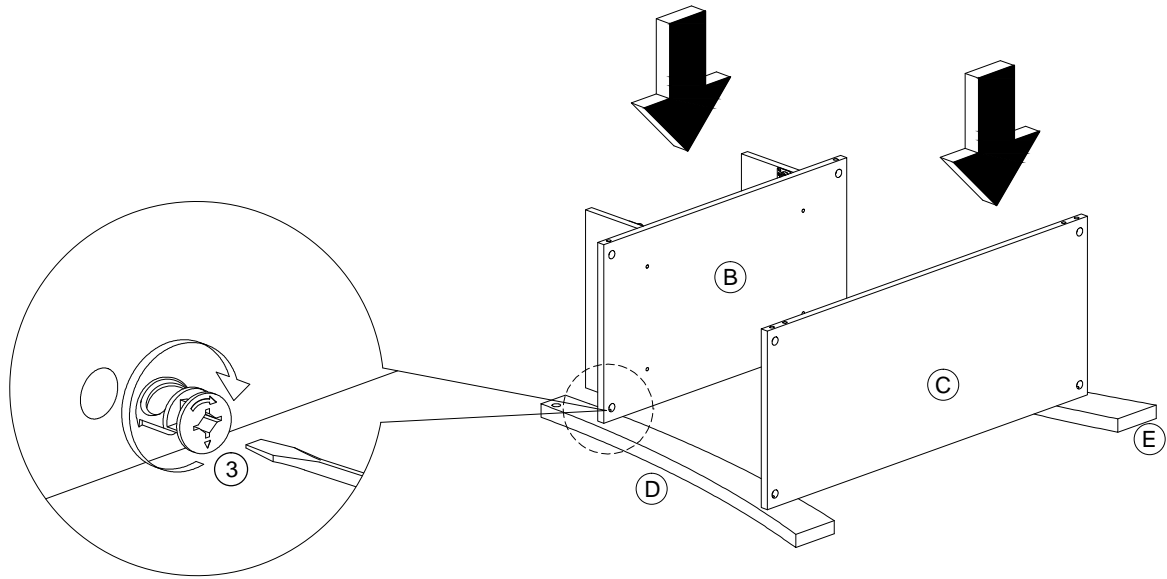


STEP 5

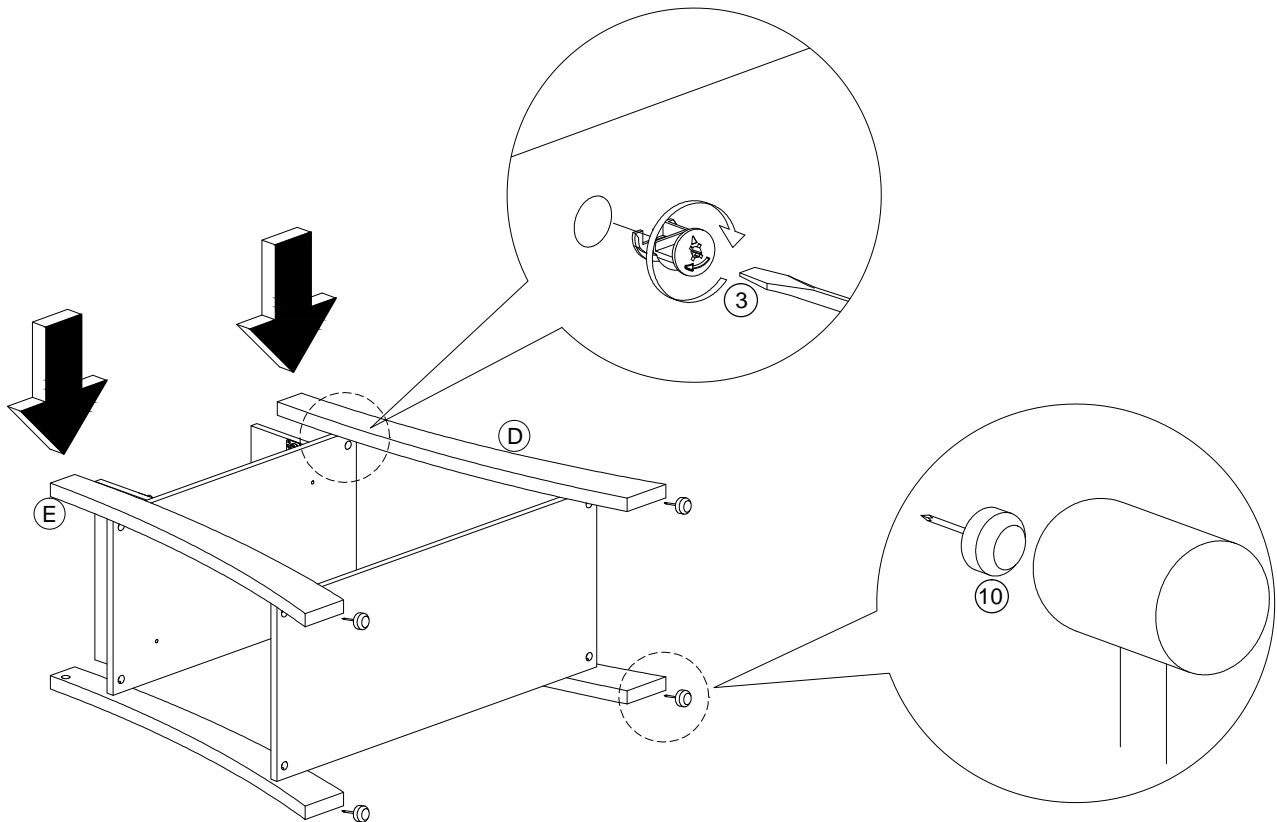


Assembly Instruction

STEP 6

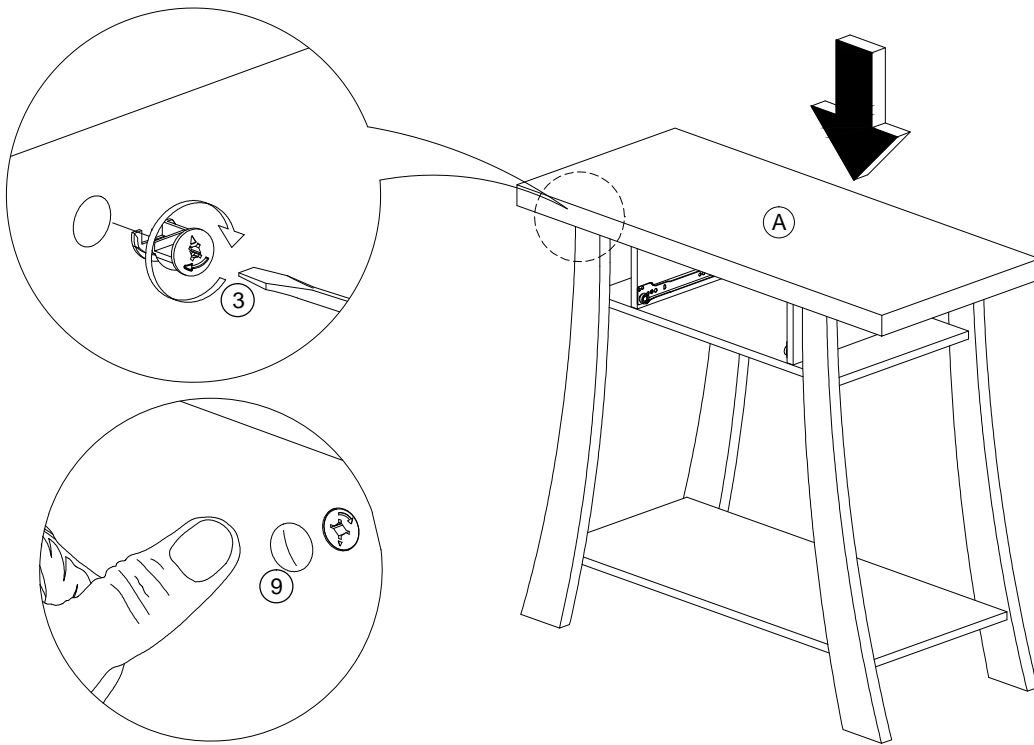


STEP 7

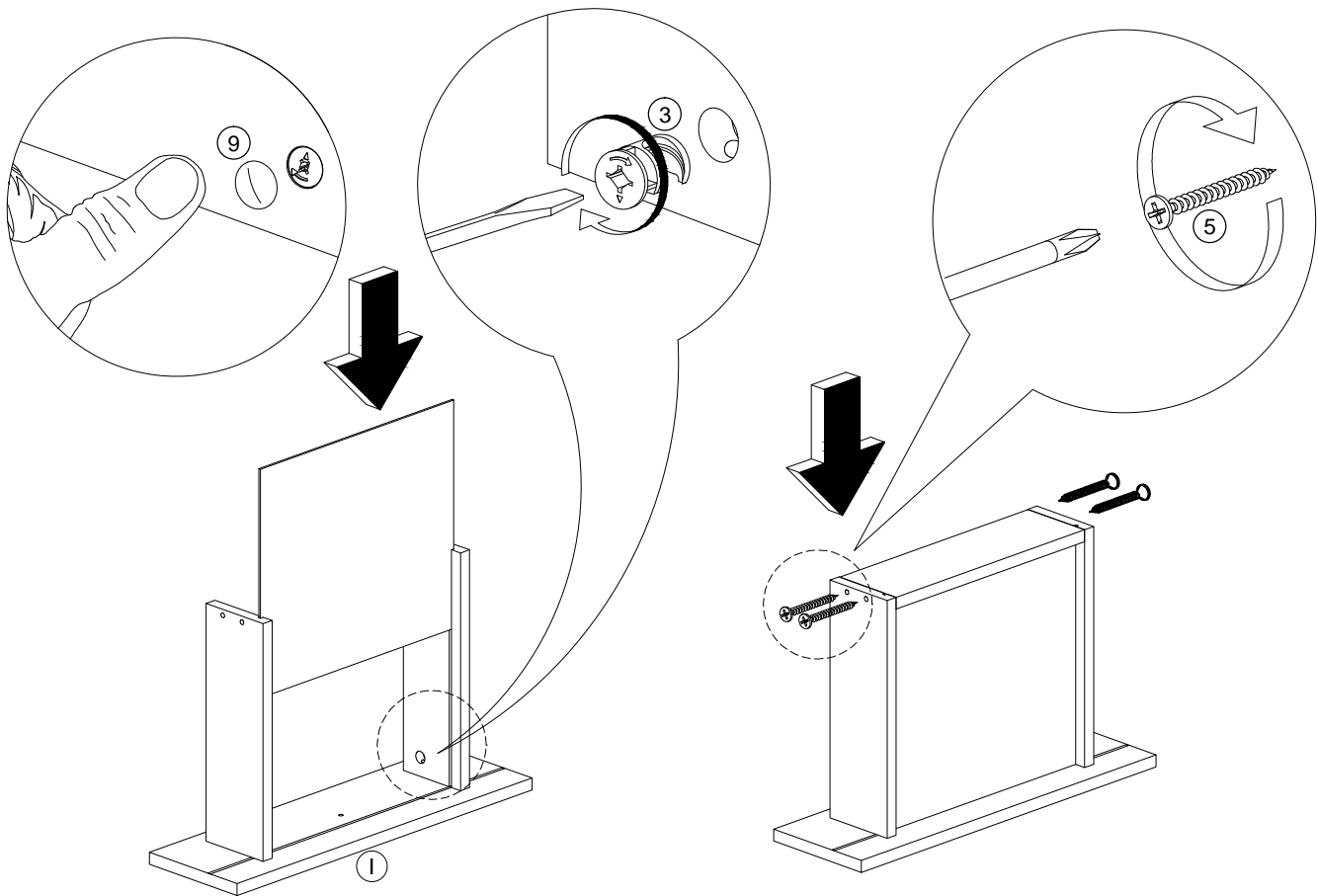


Assembly Instruction

STEP 8

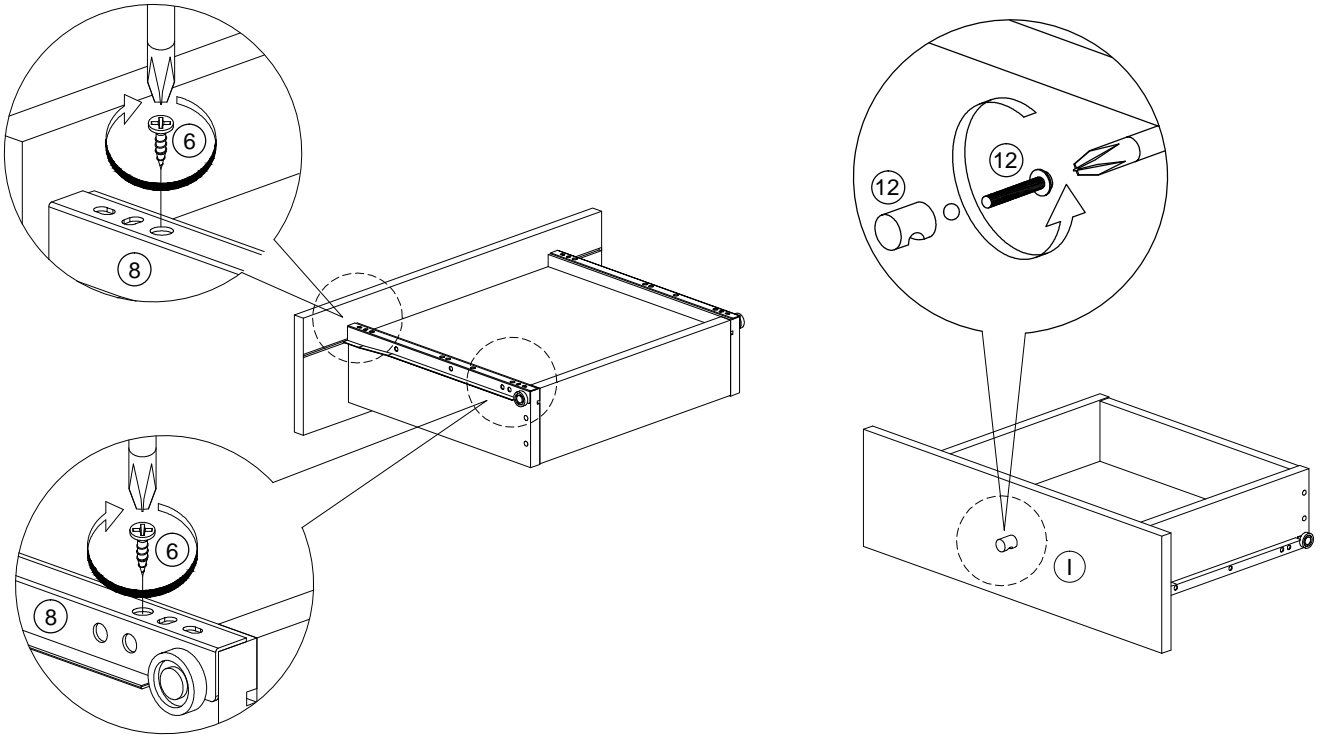


STEP 9

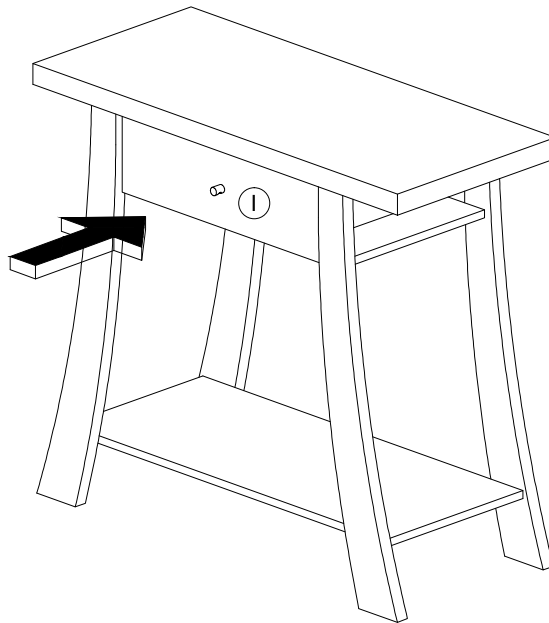


Assembly Instruction

STEP 10

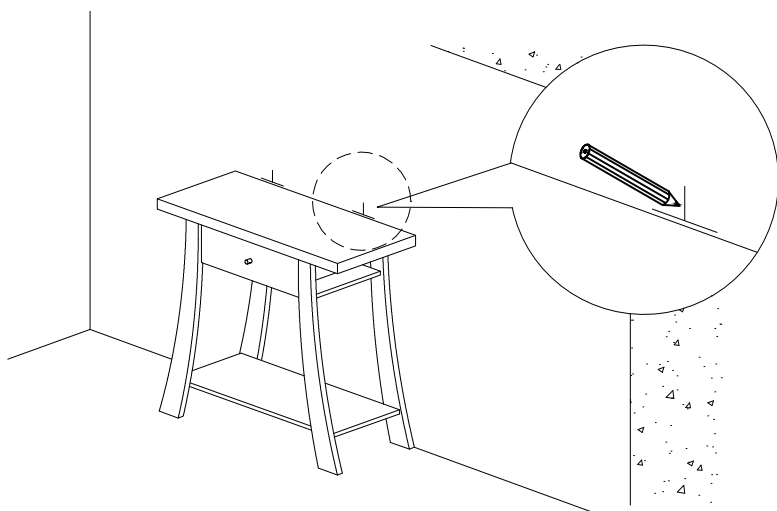


STEP 11

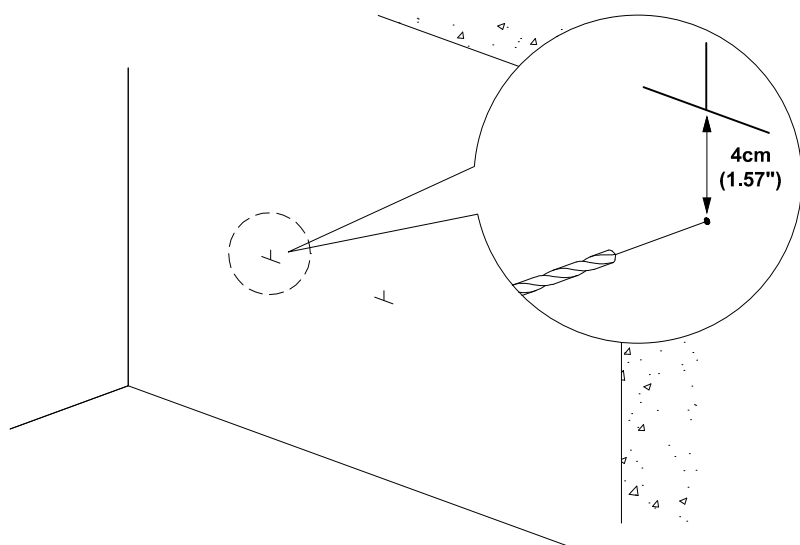


FURNITURE TIPPING RESTRAINT

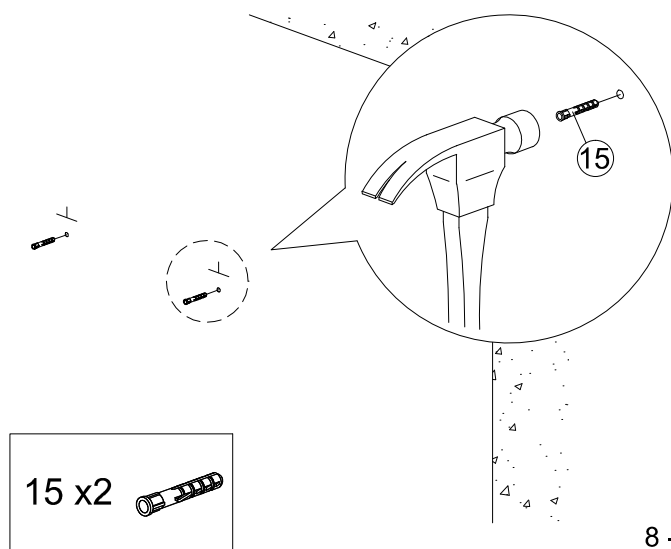
1. First mark the wall with pencil as in diagram.



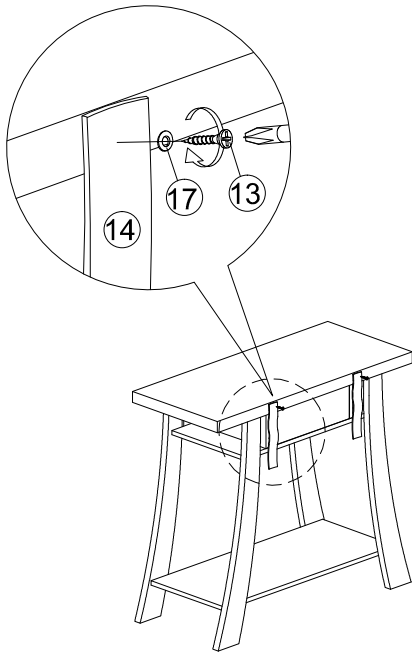
2. Drill small hole at the pencil mark.



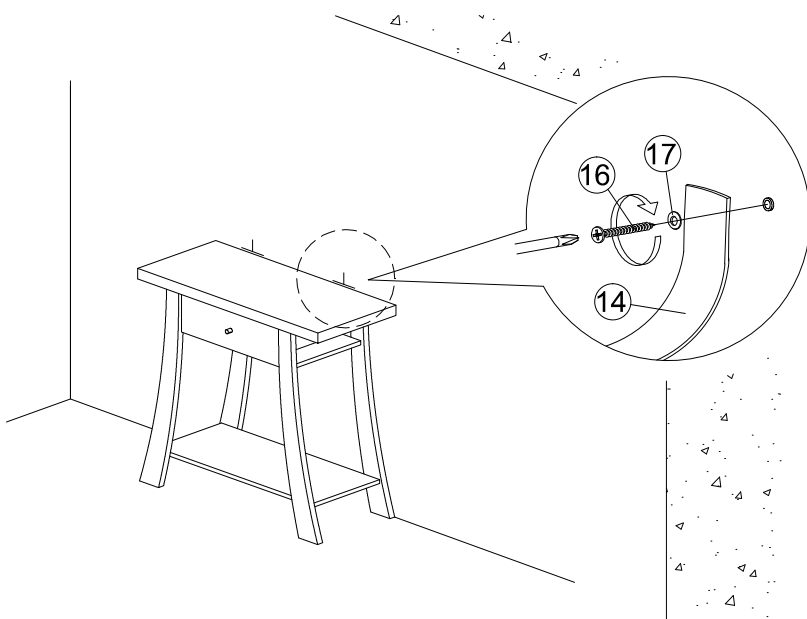
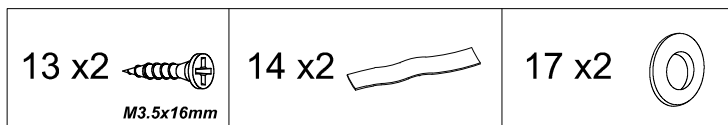
3. Insert plastic wall anchor (15).



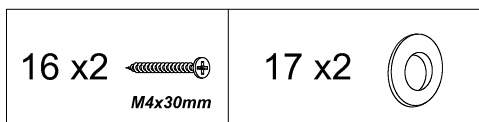
FURNITURE TIPPING RESTRAINT

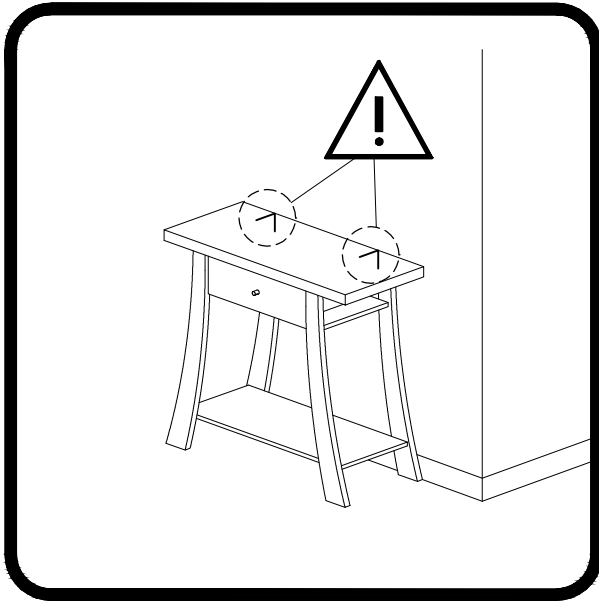


4. Add safety strap (14), washer (17) using 3.5x16mm screw (13) to back of cabinet.



5. Finally, attach safety strap (14) and washer (17) using 4x30mm screw (16) to the wall.





⚠ WARNING	
	<p>Children have died from furniture tipover. To reduce the risk of furniture tipover:</p> <ul style="list-style-type: none">• ALWAYS install tipover restraint provided.• NEVER put a TV on this product.• NEVER allow children to stand, climb or hang on drawers, doors, or shelves.• NEVER open more than one drawer at a time.• Place heaviest items in the lowest drawers. <p><i>This is a permanent label. Do not remove!</i></p>
	



Anti-Topple hardware included for added safety and stability