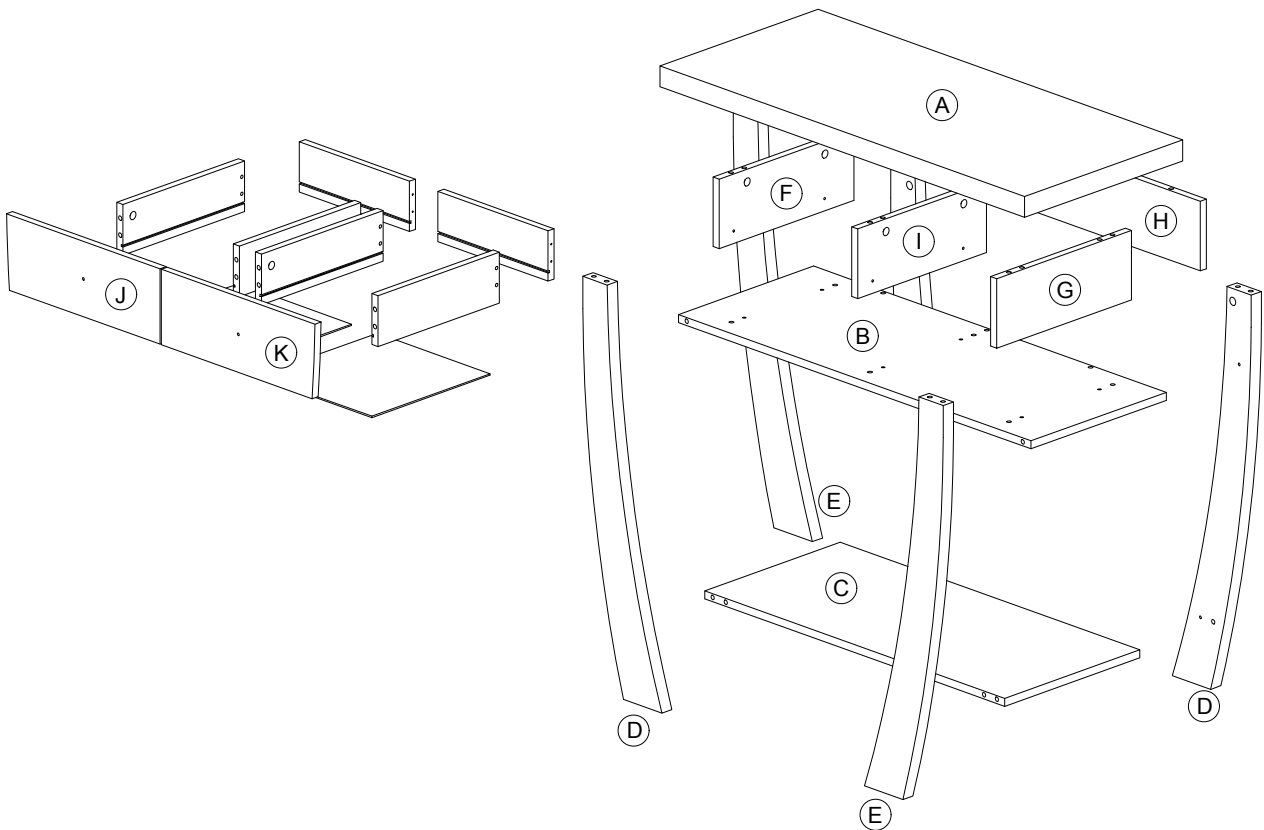


# Assembly Instruction

WI11322 , WI11323

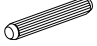
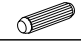
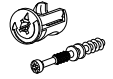


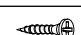






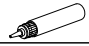

## PART LIST



# Assembly Instruction

## Hardware List

No.	SHAPE	DESCRIPTION	Qty.
1		<b>8x40mm Wood Dowel</b>	8Pcs
2		<b>8x25mm Wood Dowel</b>	22Pcs
3		<b>15MM Myfix Minifix</b>	22Sets
4		<b>M5x40mm Screw</b>	6Pcs
5		<b>M4x38mm Screw</b>	8Pcs
6		<b>M3.5x16mm Screw</b>	8Pcs
7		<b>M5x8mm Screw (Euro Screw)</b>	8Pcs
8		<b>Drawer Slide 12" (300mm)</b>	2Sets
9		<b>15mm Minifix Cap</b>	8Pcs

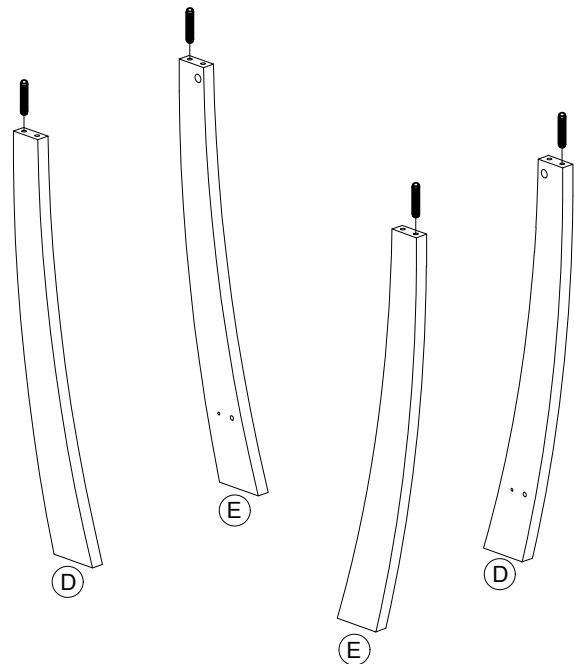
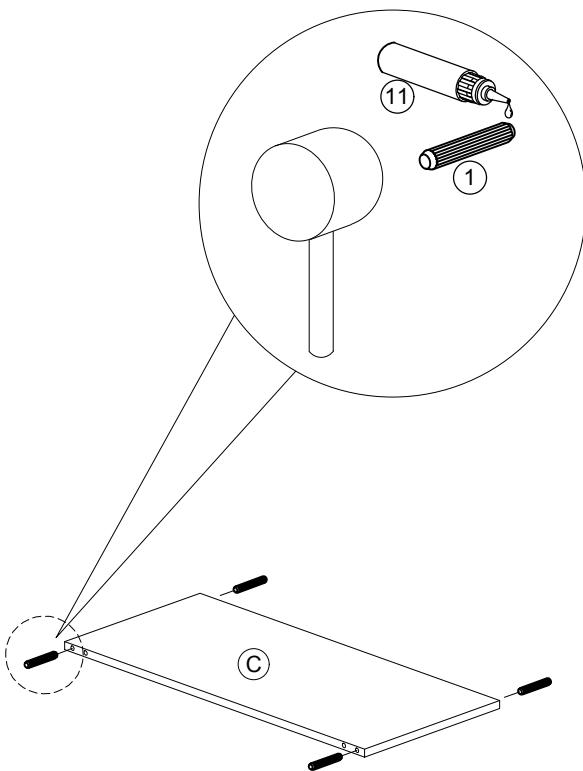
10		<b>Nail Leg</b>	4Pcs
11		<b>Glue</b>	1Pc
12		<b>Handle Wood Ø15x20mm Handle Screw (M4 x 25mm)</b>	2Sets

## Packing Tipping Restraint

### Hardware List

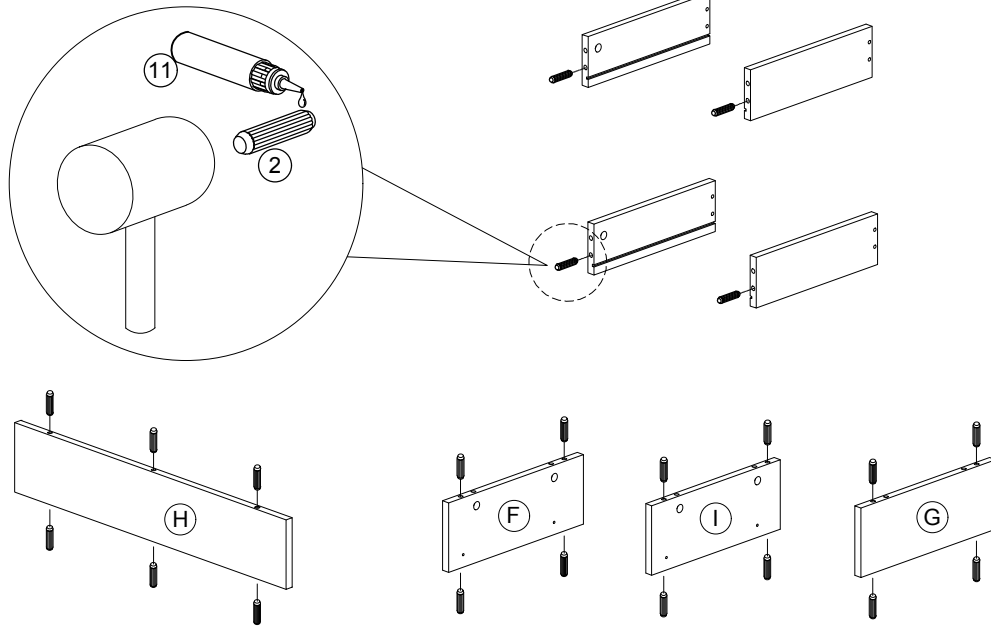
No.	SHAPE	DESCRIPTION	Qty.
13		<b>M3.5x16mm Screw</b>	2Pcs
14		<b>Safety Strap</b>	2Pcs
15		<b>Wall Plug</b>	2Pcs
16		<b>M4x30mm Screw</b>	2Pcs
17		<b>Flat Washer 6x19x2mm</b>	4Pcs

## STEP 1

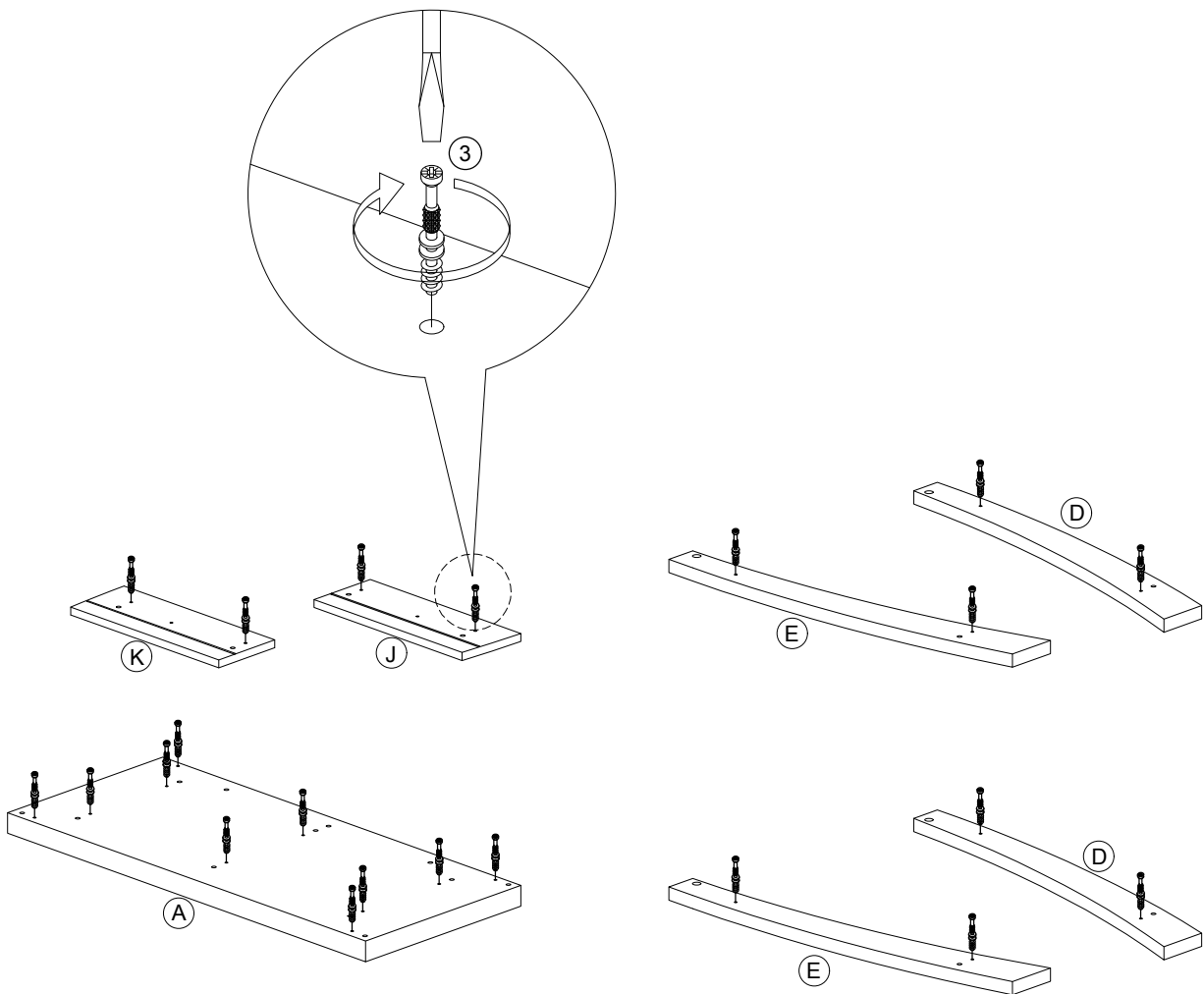


# Assembly Instruction

## STEP 2

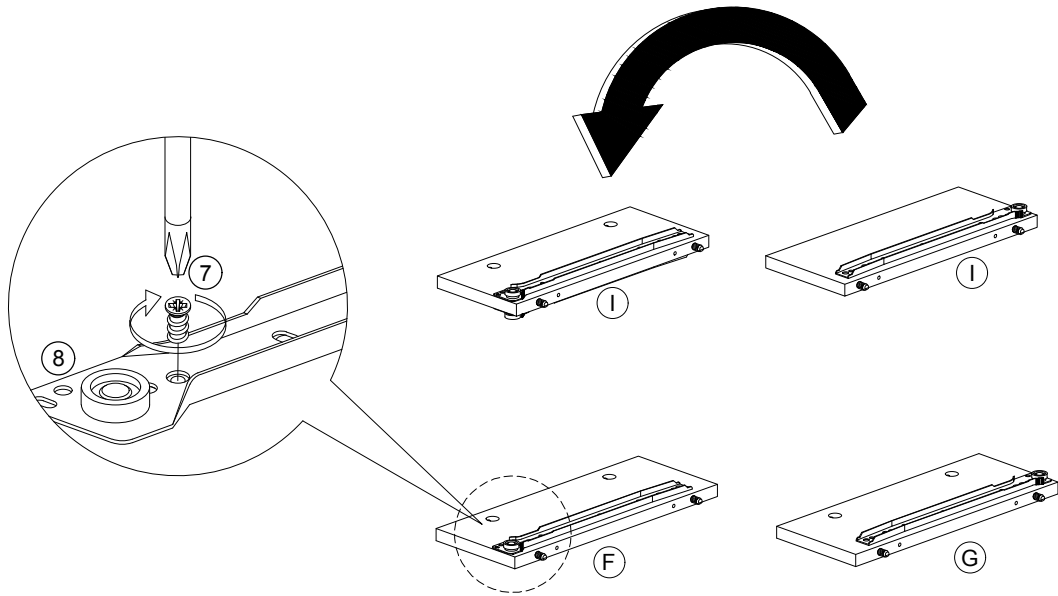


## STEP 3

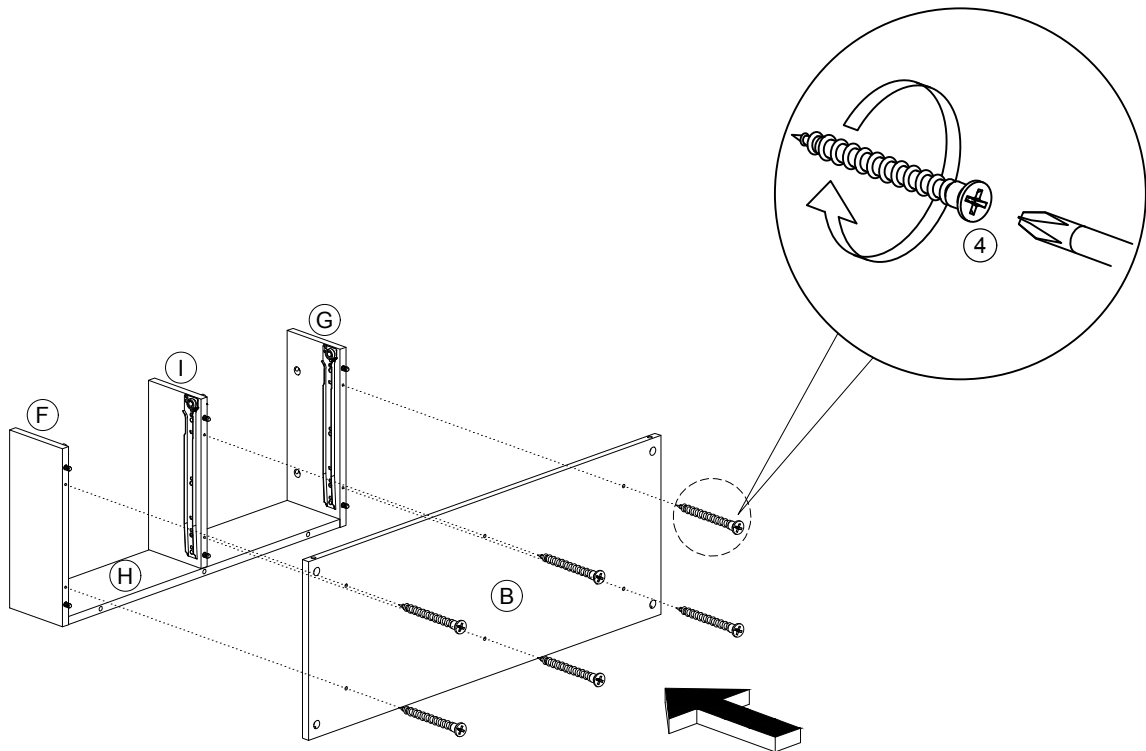


# Assembly Instruction

## STEP 4

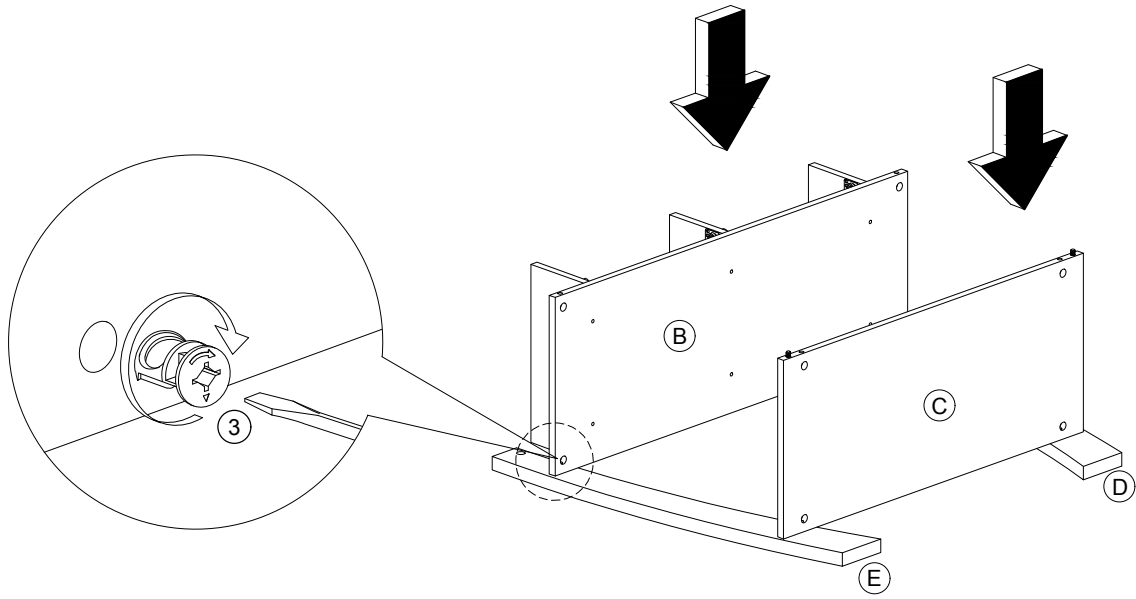


## STEP 5

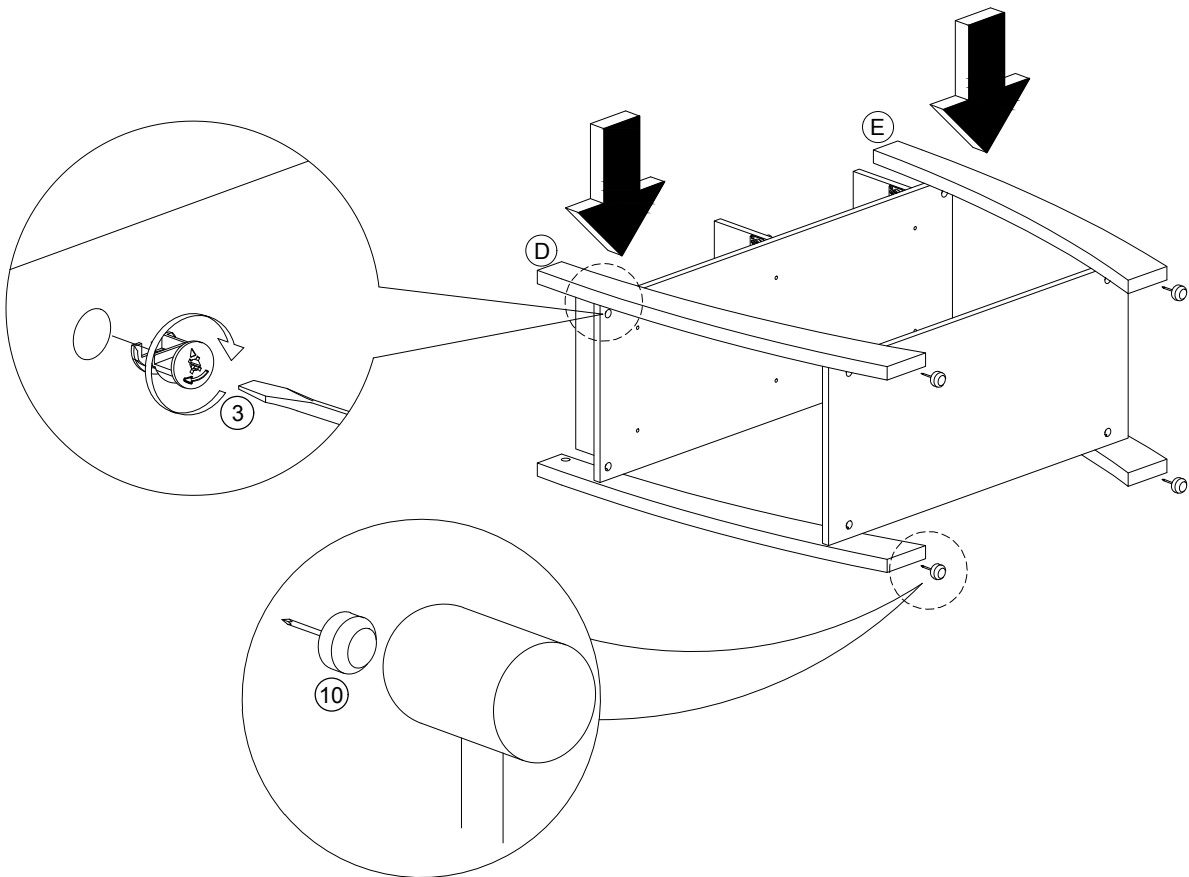


# Assembly Instruction

## STEP 6

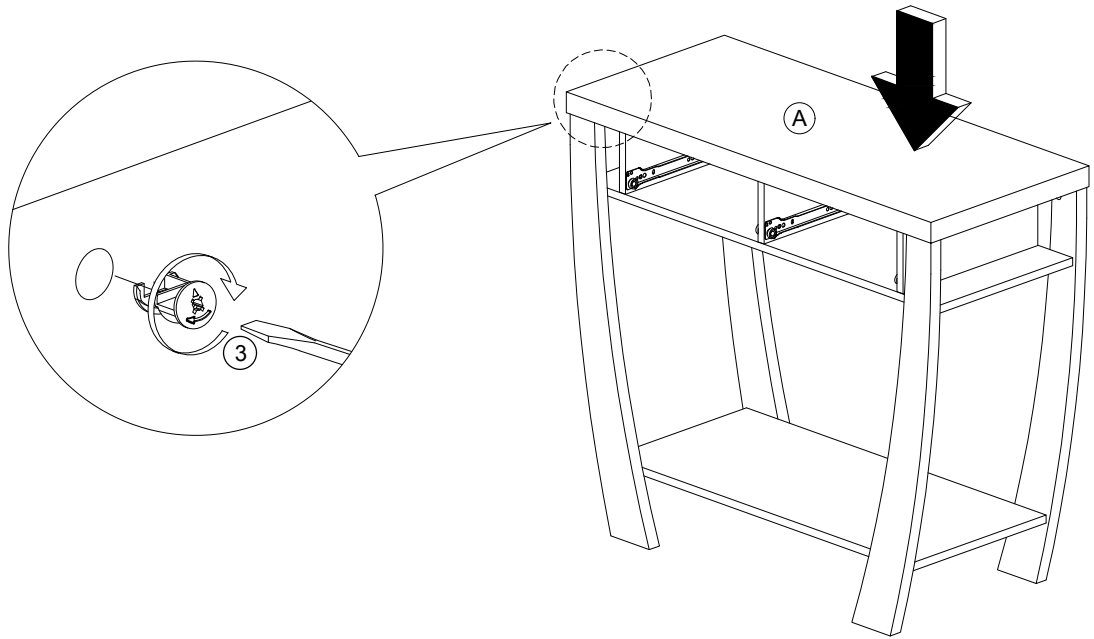


## STEP 7

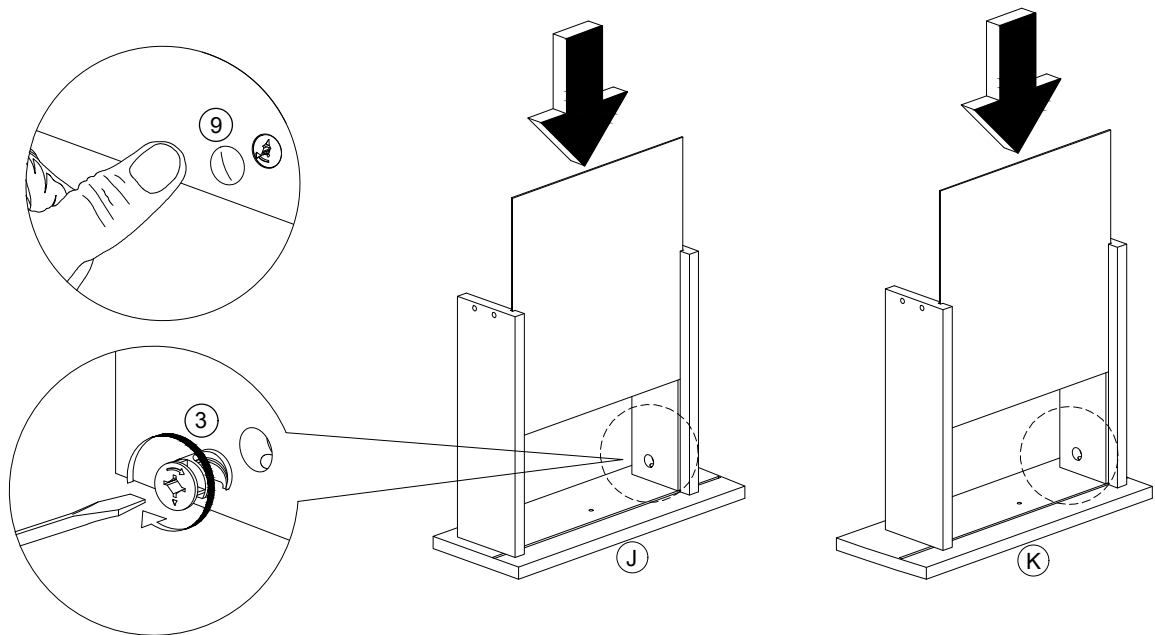


# Assembly Instruction

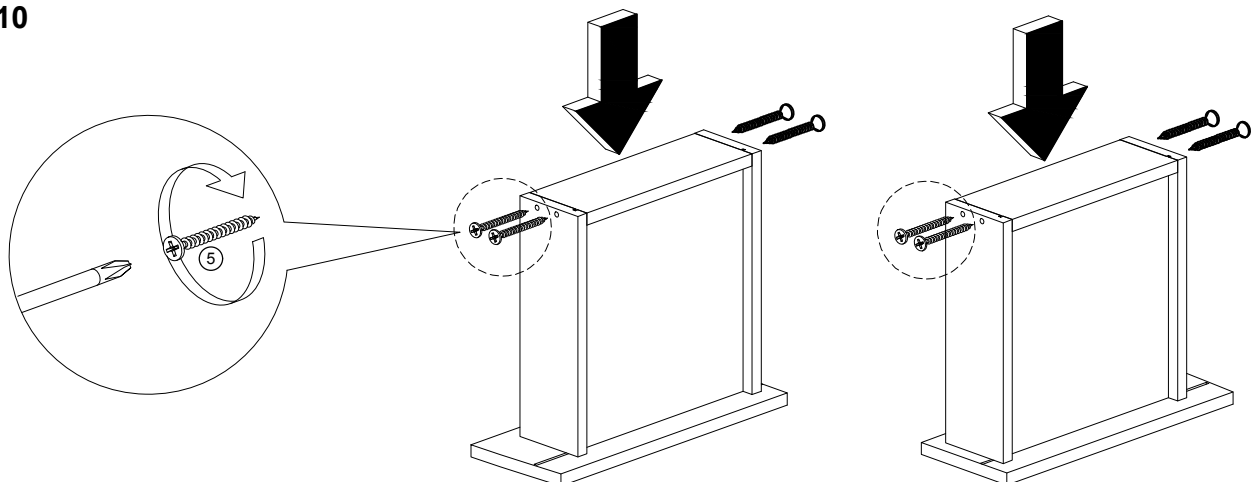
## STEP 8



## STEP 9

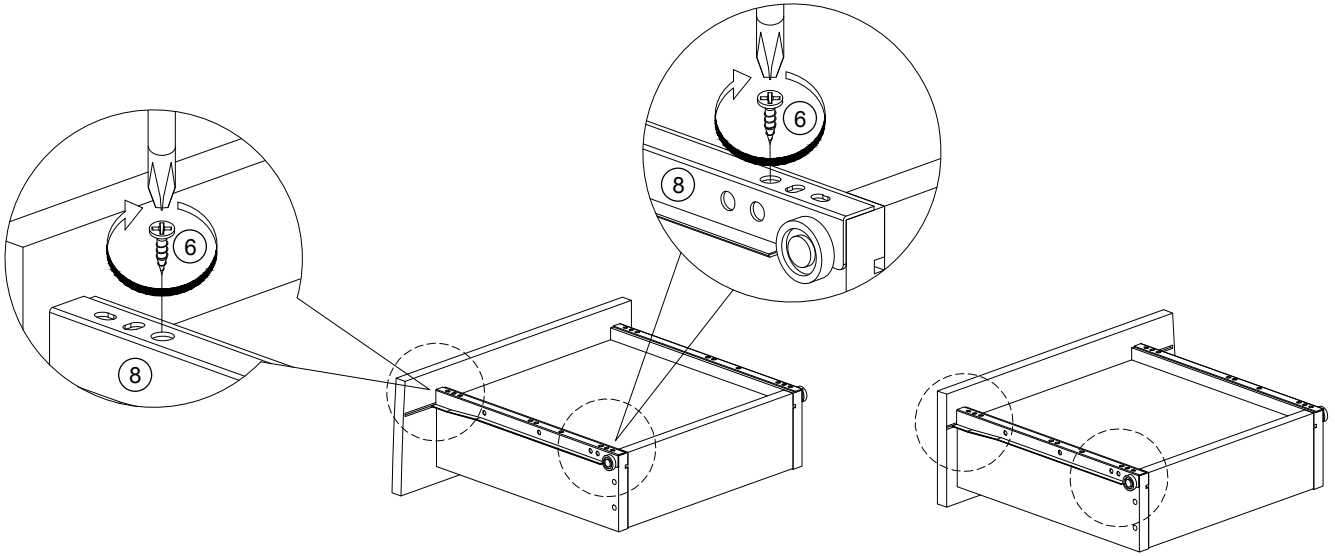


## STEP 10

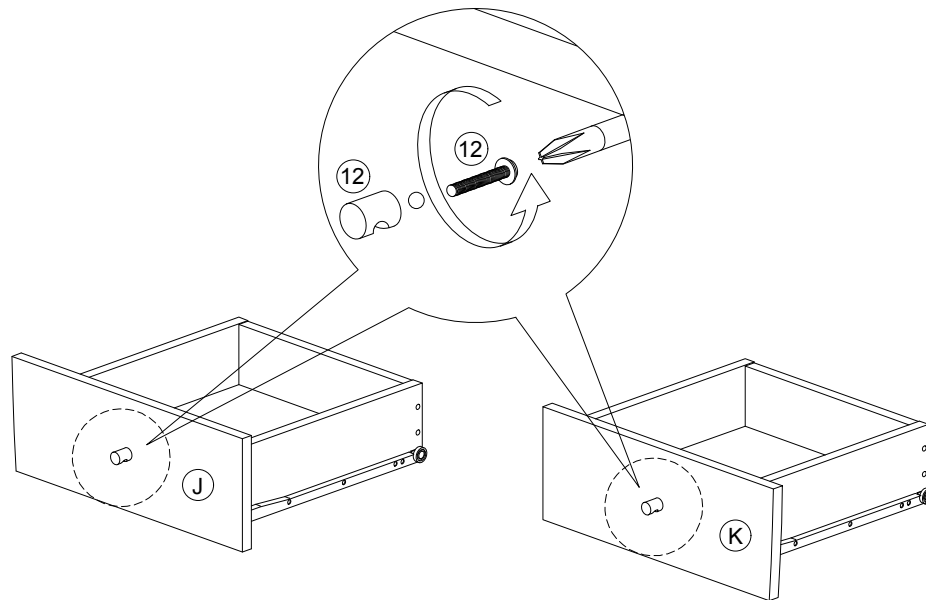


# Assembly Instruction

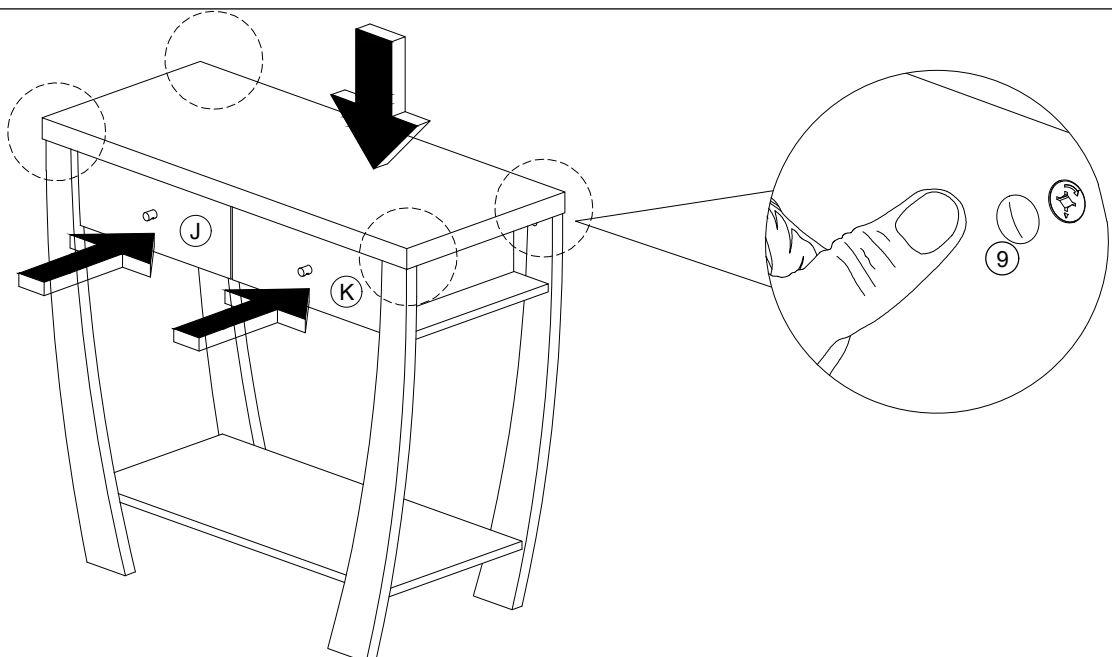
## STEP 11



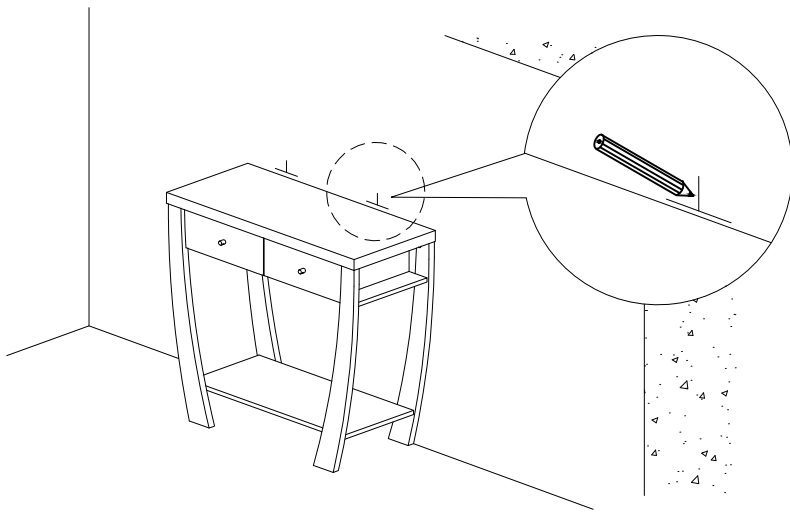
## STEP 12



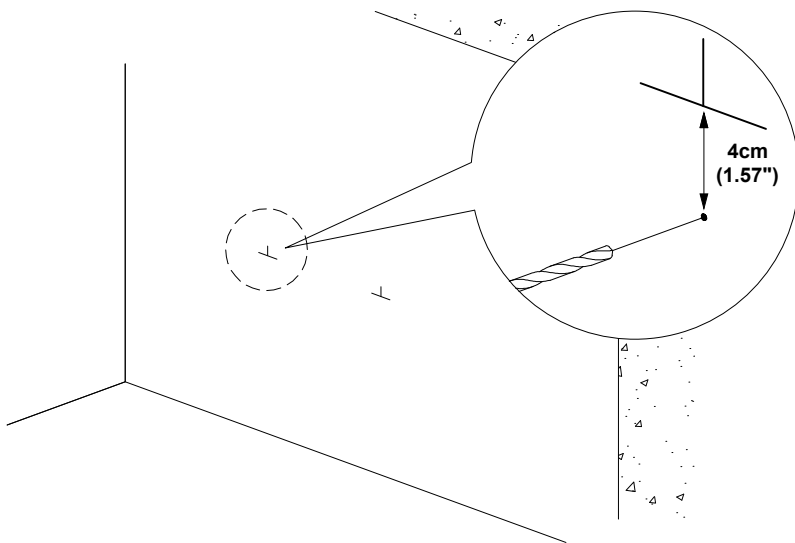
## STEP 13



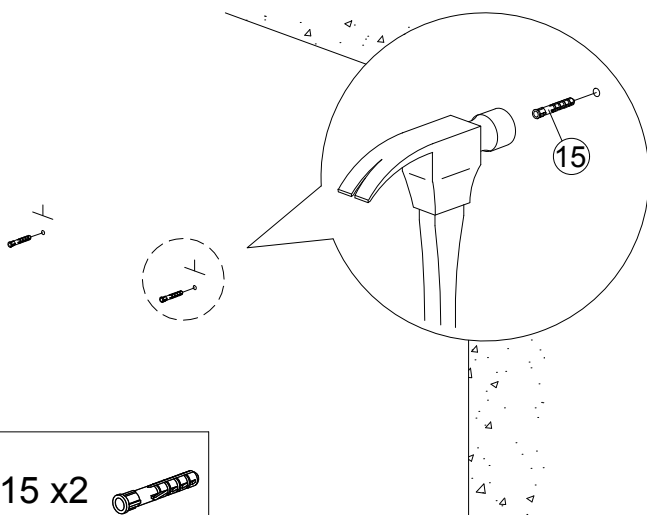
# FURNITURE TIPPING RESTRAINT



**1. First mark the wall with pencil as in diagram.**



**2. Drill small hole at the pencil mark.**



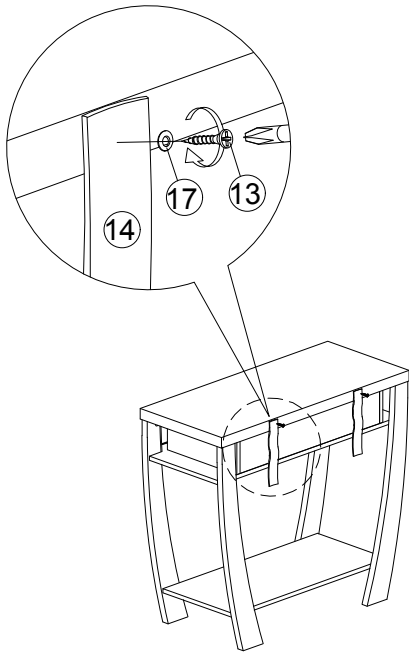
**3. Insert plastic wall anchor (15).**

15 x 2

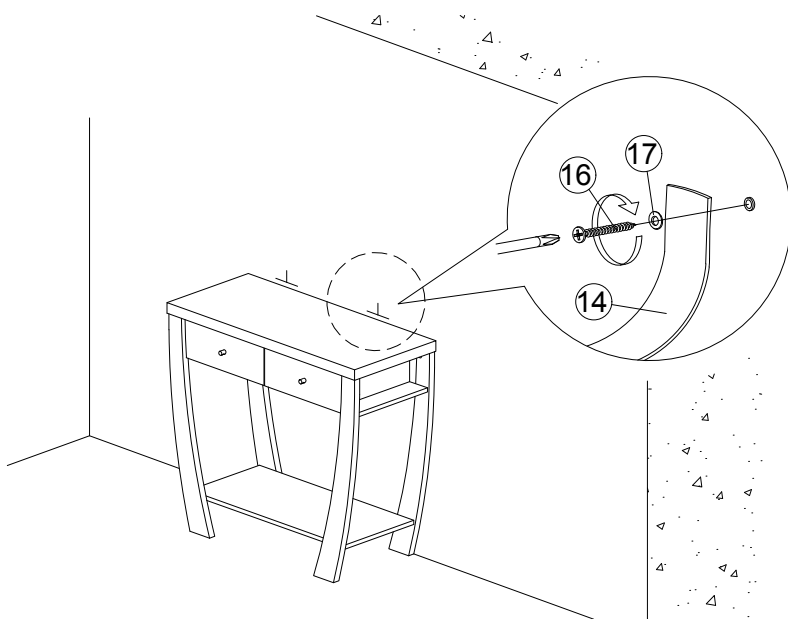
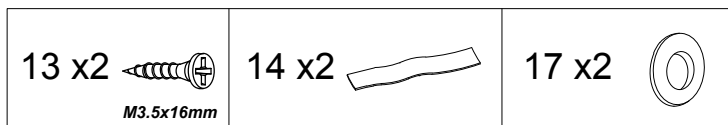




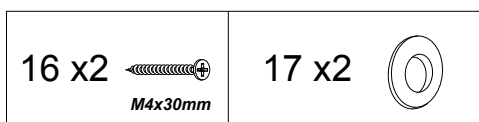
# FURNITURE TIPPING RESTRAINT

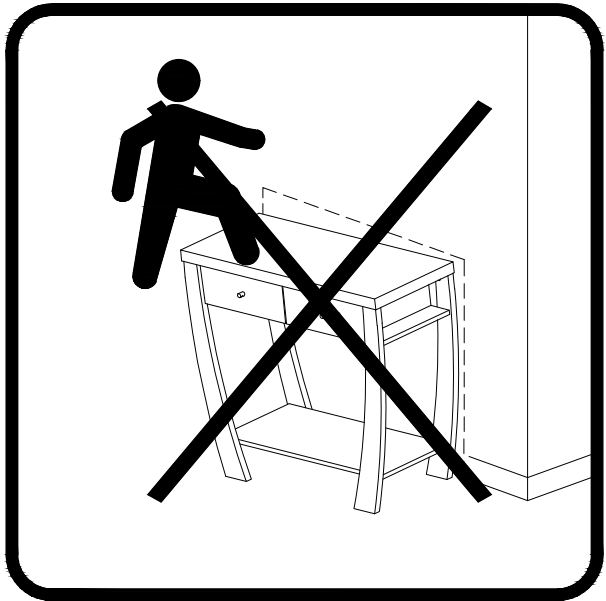
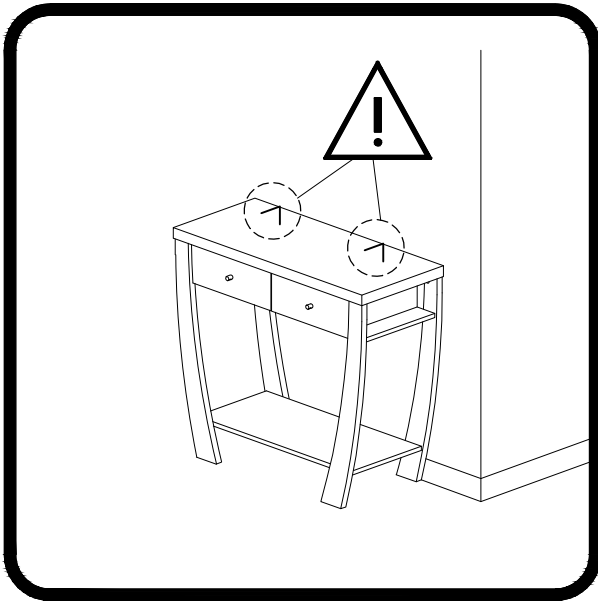


**4. Add safety strap (14), washer (17) using 3.5x16mm screw (13) to back of cabinet.**



**5. Finally, attach safety strap (14) and washer (17) using 4x30mm screw (16) to the wall.**





<b>⚠ WARNING</b>	
	<p>Children have died from furniture tipover. To reduce the risk of furniture tipover:</p> <ul style="list-style-type: none"><li>• ALWAYS install tipover restraint provided.</li><li>• NEVER put a TV on this product.</li><li>• NEVER allow children to stand, climb or hang on drawers, doors, or shelves.</li><li>• NEVER open more than one drawer at a time.</li><li>• Place heaviest items in the lowest drawers.</li></ul> <p><i>This is a permanent label. Do not remove!</i></p>
	



**Anti-Topple hardware included for added safety and stability**