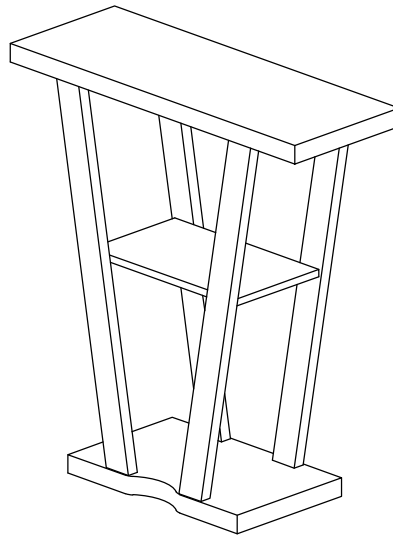
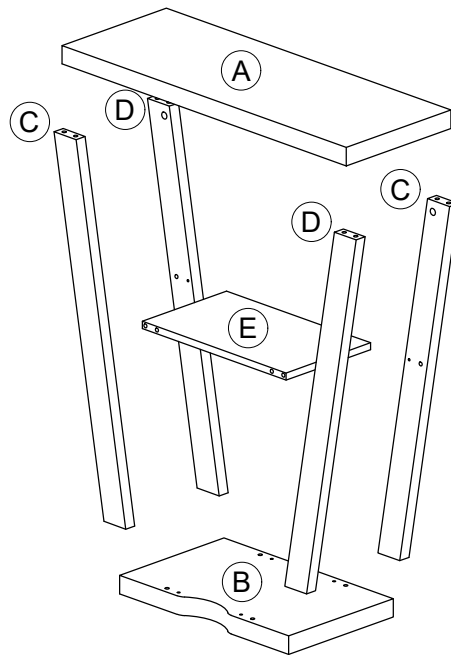


# Assembly Instruction

Model: WI11320,WI11321



## Part List



# Assembly Instruction

## Hardware List

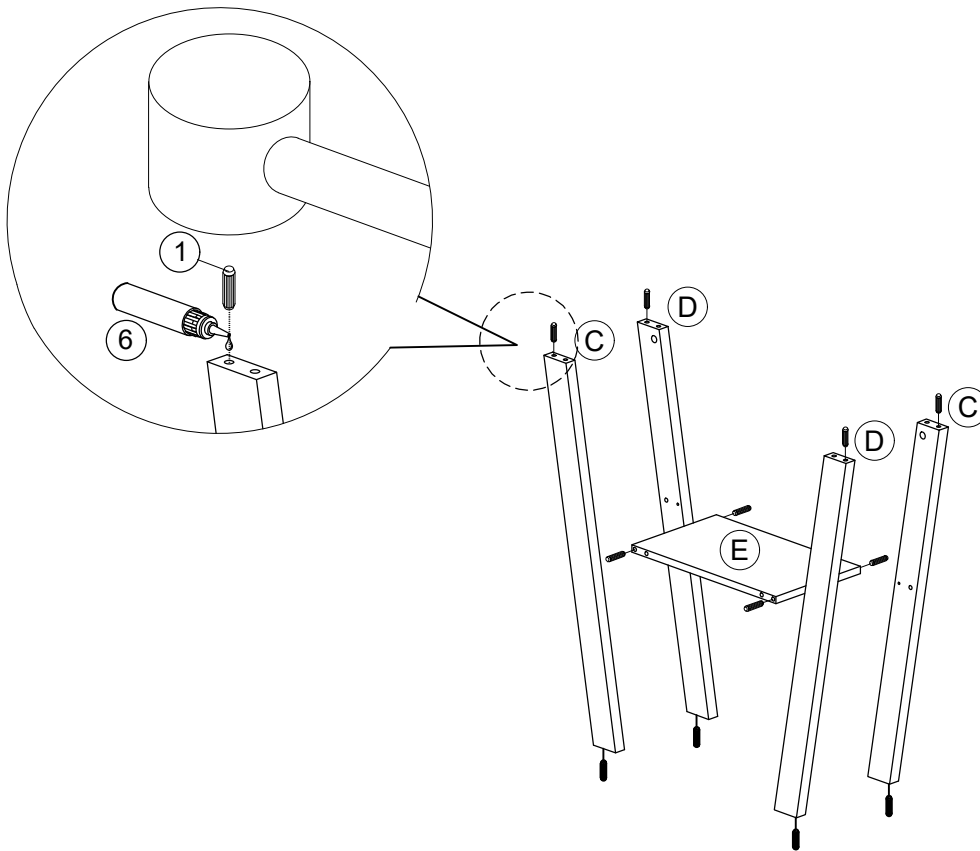
No.	SHAPE	DESCRIPTION	Qty.
1		<b>8x25mm Wood Dowel</b>	12Pcs
2		<b>15MM Myfix Minifix</b>	8Sets
3		<b>M4x65mm Screw</b>	4Pcs
4		<b>15mm Minifix Cap</b>	4Pcs
5		<b>Nail Leg</b>	4Pcs
6		<b>Glue</b>	1Pc

## Packing Tipping Restraint

### Hardware List

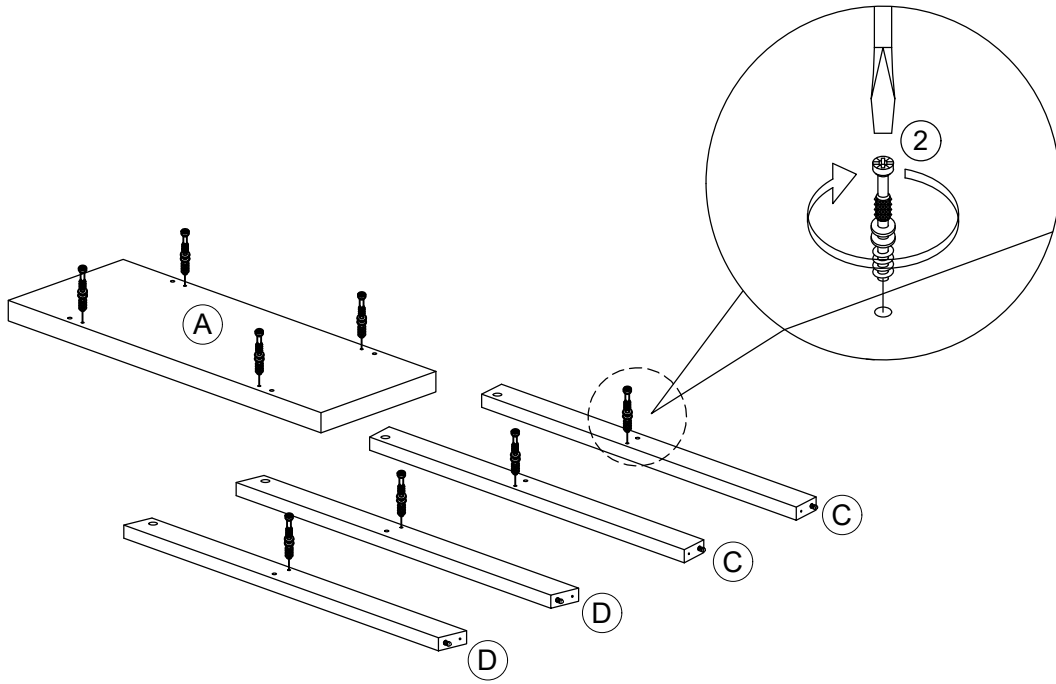
No.	SHAPE	DESCRIPTION	Qty.
7		<b>M3.5x16mm Screw</b>	2Pcs
8		<b>Safety Strap</b>	2Pcs
9		<b>Wall Plug</b>	2Pcs
10		<b>M4x30mm Screw</b>	2Pcs
11		<b>Flat Washer 6x19x2mm</b>	4Pcs

## STEP 1

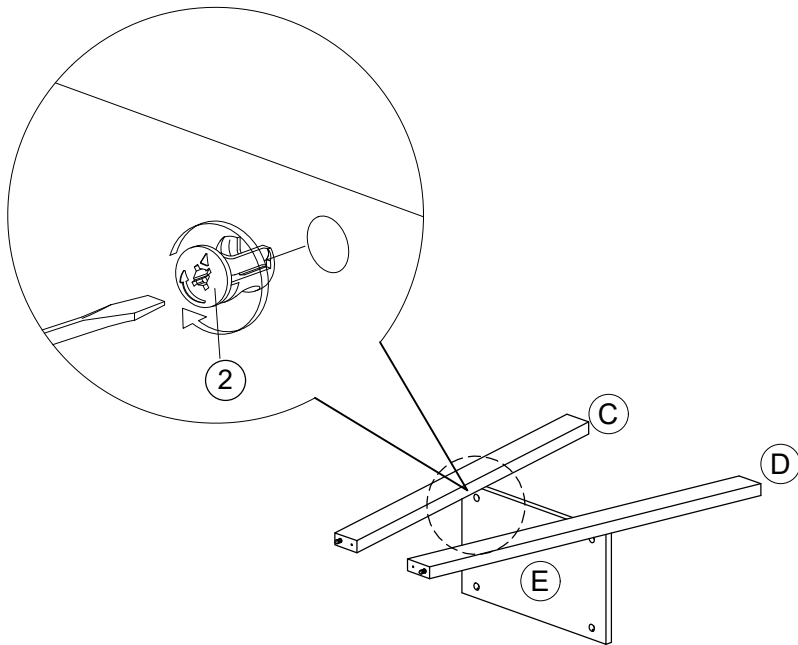


# Assembly Instruction

## STEP 2

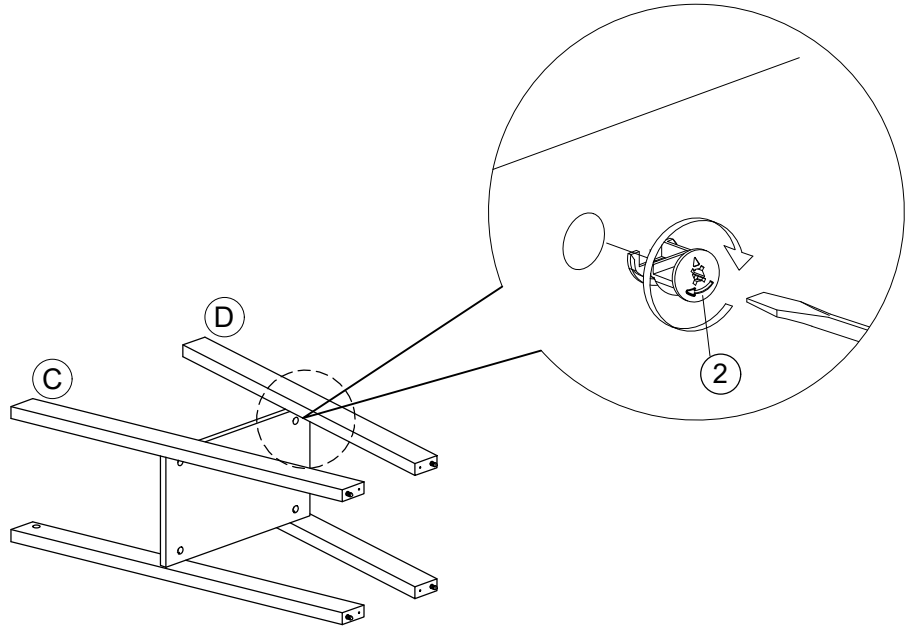


## STEP 3

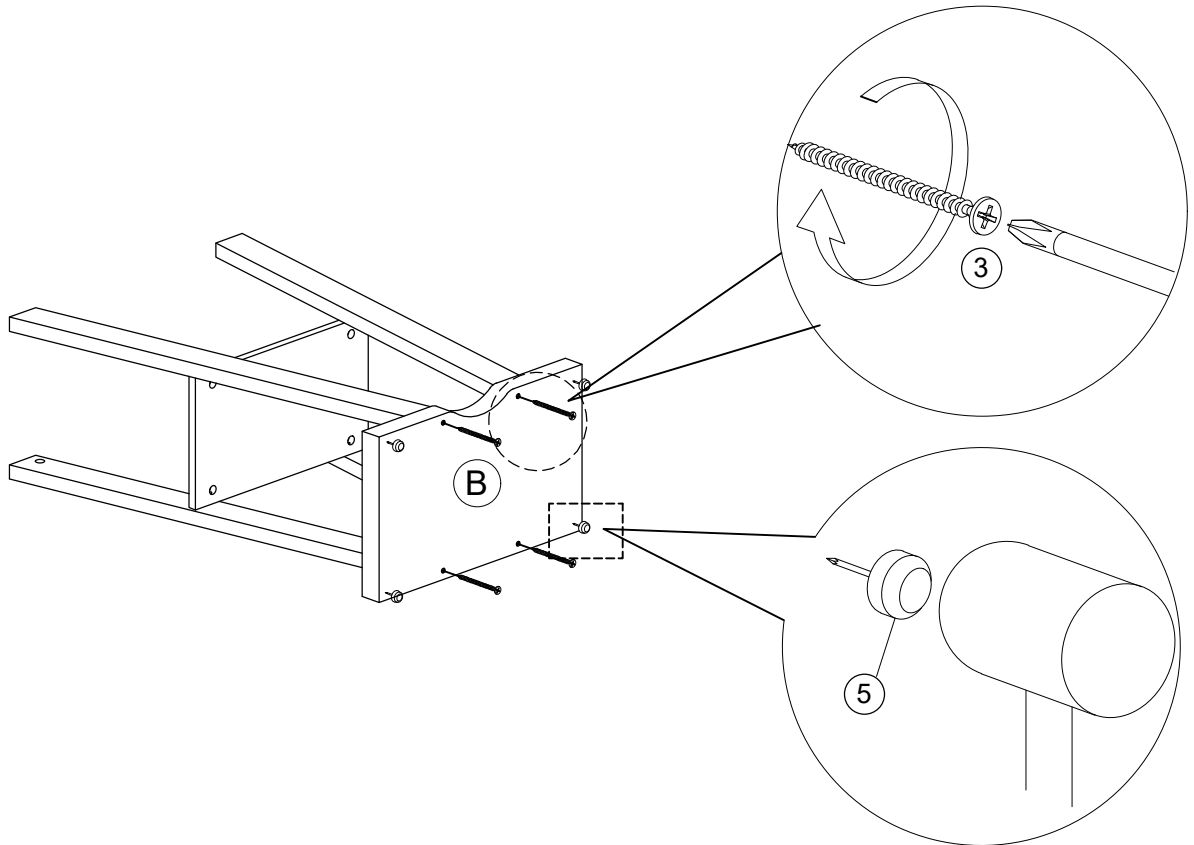


# Assembly Instruction

## STEP 4

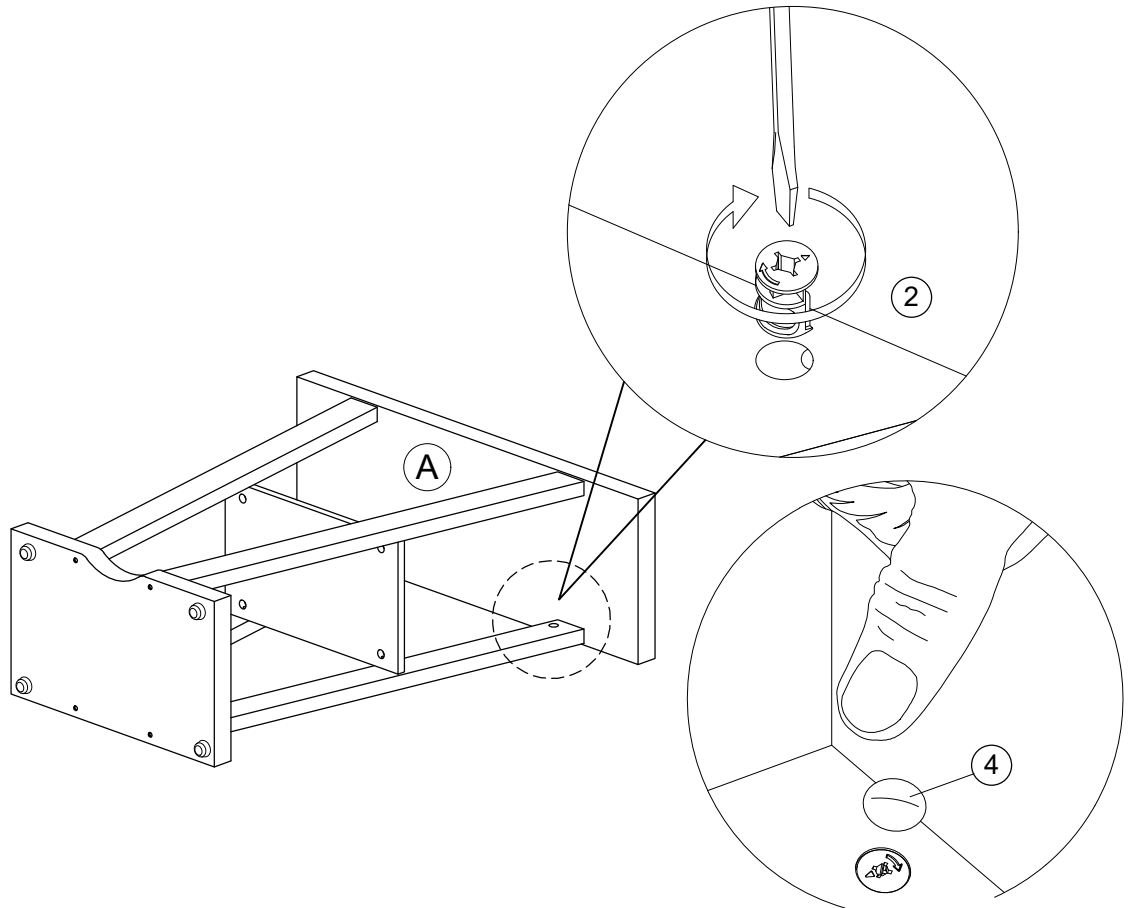


## STEP 5

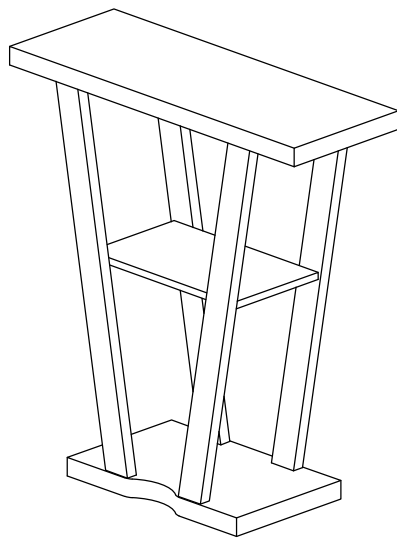


# Assembly Instruction

## STEP 6

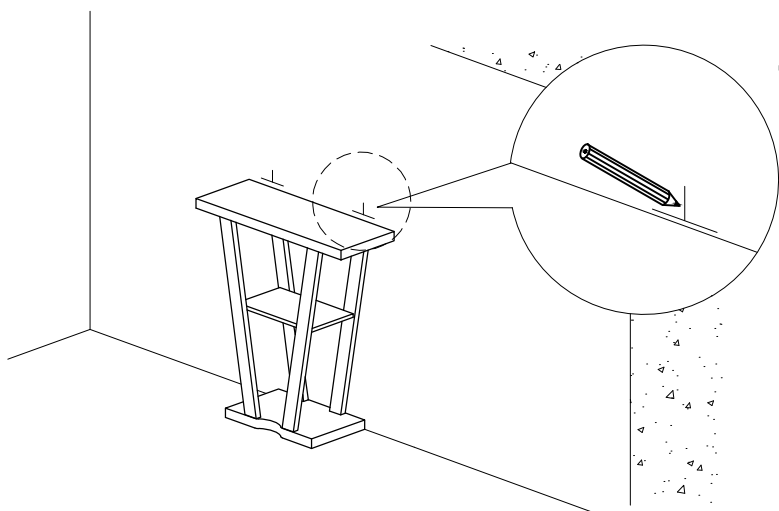


## STEP 7

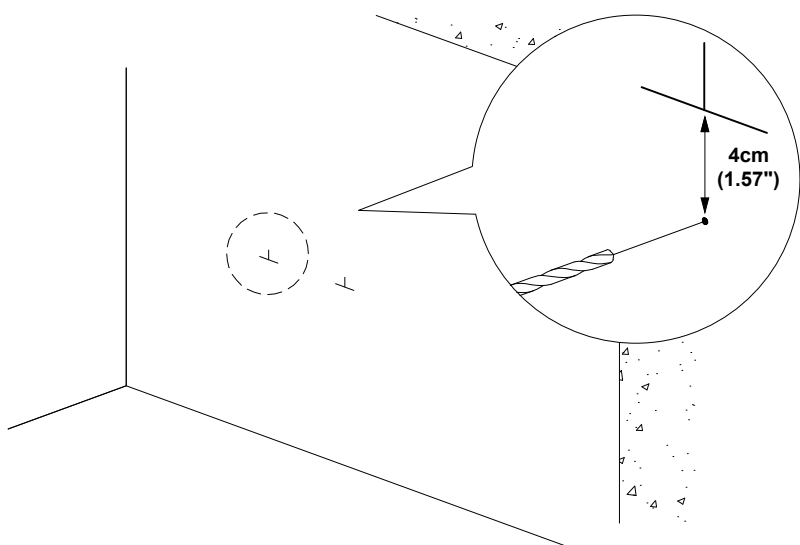


# FURNITURE TIPPING RESTRAINT

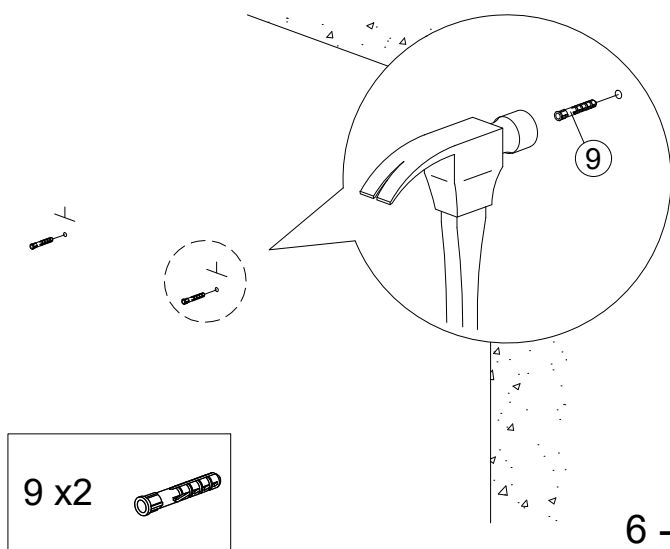
1. First mark the wall with pencil as in diagram.



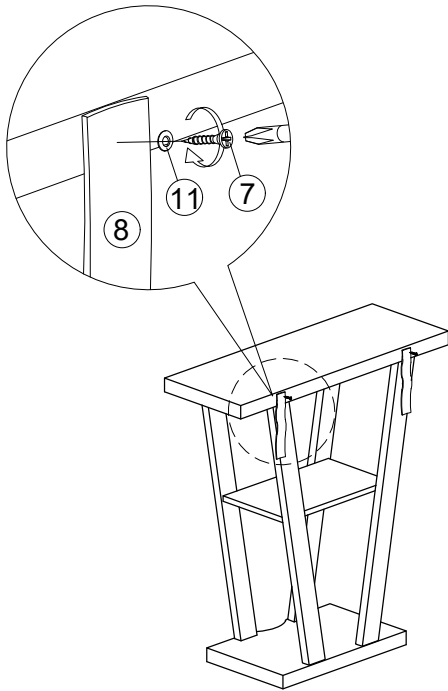
2. Drill small hole at the pencil mark.



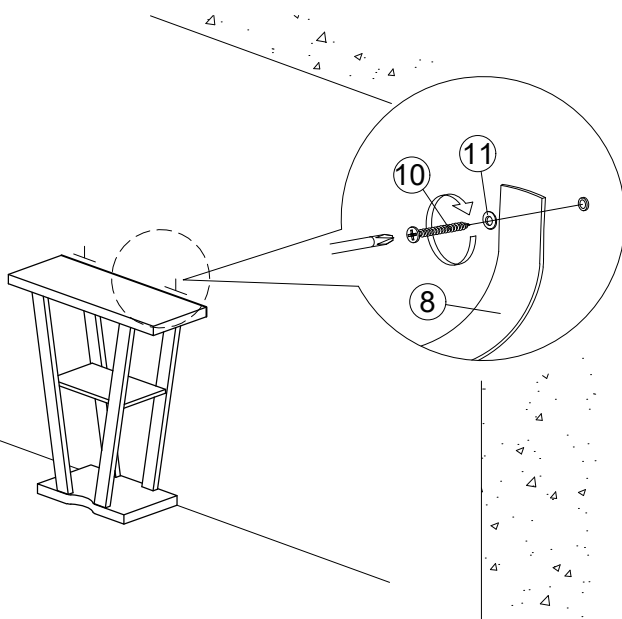
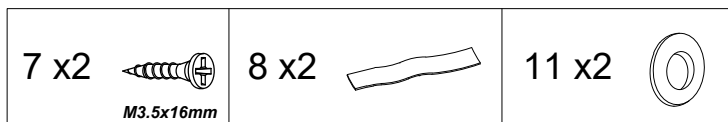
3. Insert plastic wall anchor (9).



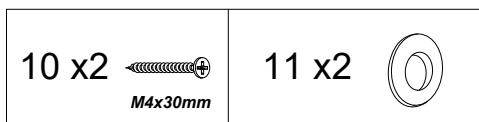
# FURNITURE TIPPING RESTRAINT

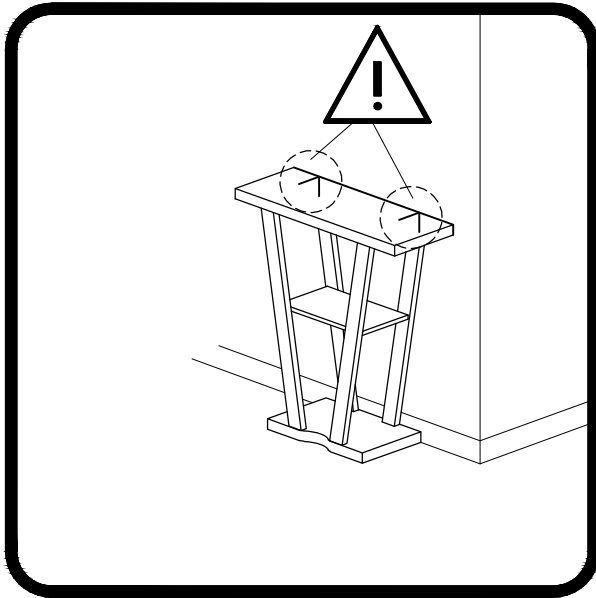


4. Add safety strap (8), washer (11) using 3.5x16mm screw (7) to back of cabinet.



5. Finally, attach safety strap (8) and washer (11) using 4x30mm screw (10) to the wall.





<b>⚠ WARNING</b>	
	<p>Children have died from furniture tipover. To reduce the risk of furniture tipover:</p> <ul style="list-style-type: none"><li>• ALWAYS install tipover restraint provided.</li><li>• NEVER put a TV on this product.</li><li>• NEVER allow children to stand, climb or hang on drawers, doors, or shelves.</li><li>• NEVER open more than one drawer at a time.</li><li>• Place heaviest items in the lowest drawers.</li></ul> <p><i>This is a permanent label. Do not remove!</i></p>
	



**Anti-Topple hardware included for added safety and stability**