

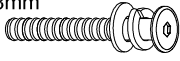
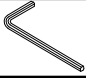


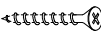



ASSEMBLY INSTRUCTIONS

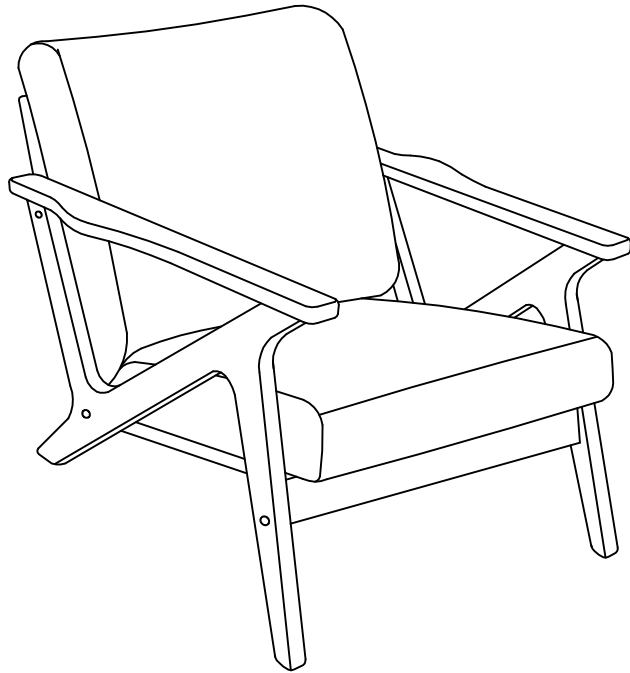
MODEL : BIANCA SOFA - 1 SEATER

IMPORTANT NOTE :

* PLACE ALL WOODEN PARTS ON A CLEAN AND SMOOTH SURFACE SUCH AS A RUG OR CARPET TO AVOID THE PARTS FROM BEING SCRATCHED.

* BEFORE YOU BEGIN, KINDLY FOLLOW THE ASSEMBLY INSTRUCTIONS STEP BY STEP.

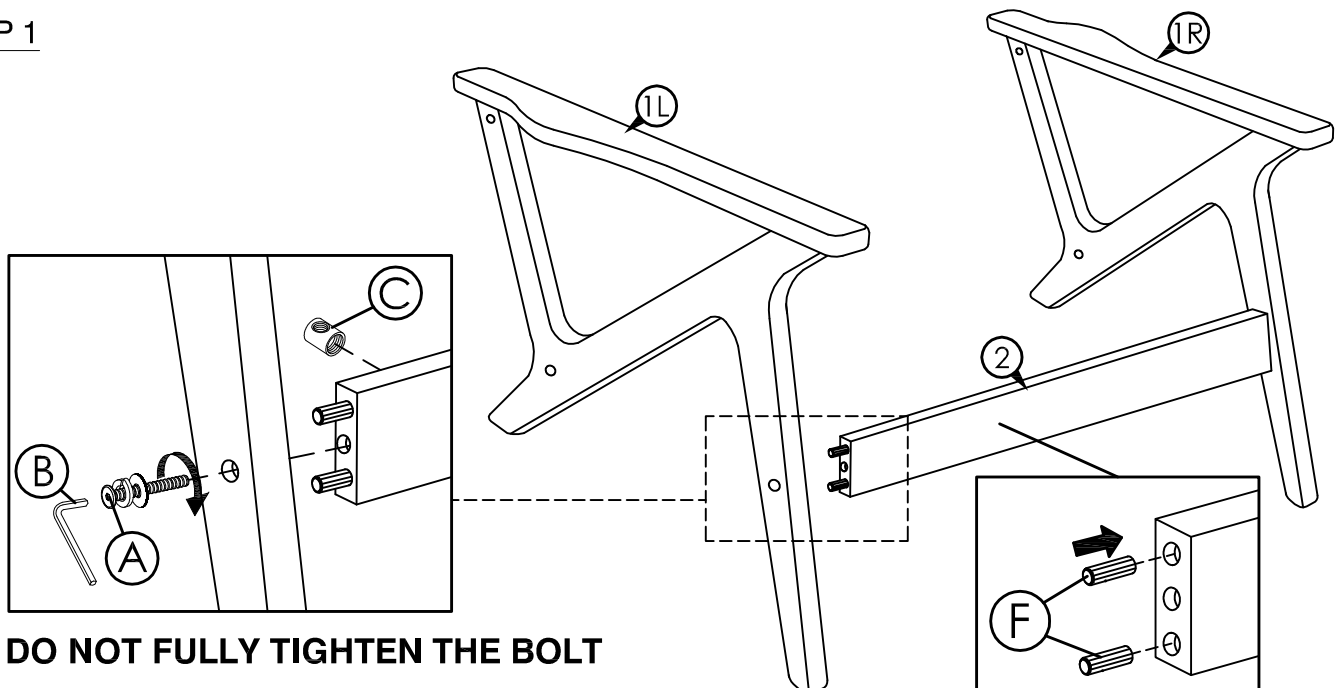
HARDWARE LIST		
A	JCBC M6 x 50mm + S/W M6 + F/W M6 x 13mm 	6PCS
B	ALLEN KEY M4 	1PC
C	BARREL NUT M6 x 13mm 	4PCS
D	WOOD BUTTON Ø 14.5 	6PCS
E	FH SCREW #8 X 32mm 	2PCS
F	WOOD DOWEL M10 x 40mm 	4PCS
G	L - BRACKET 	2PCS
H	CSK SCREW M3.5 x 16mm 	4PCS



COMPLETED SOFA ASSEMBLY.

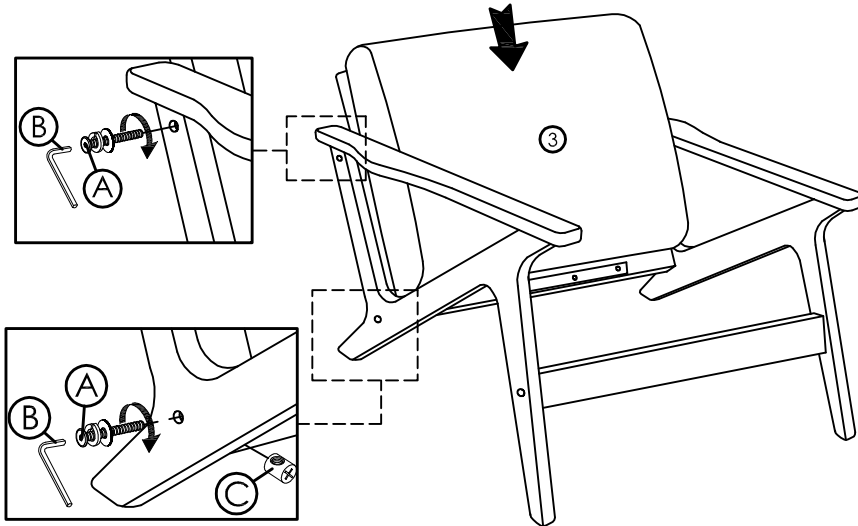
PART LIST		
1	SOFA LEG (L/R)	2PCS
2	FRONT RAIL	1PC
3	BACK FRAME	1PC
4	SEAT FRAME	1PC

STEP 1



ASSEMBLY INSTRUCTIONS

STEP 2



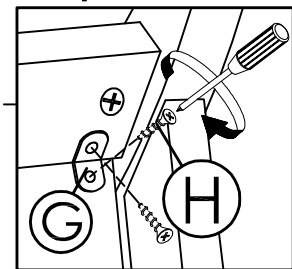
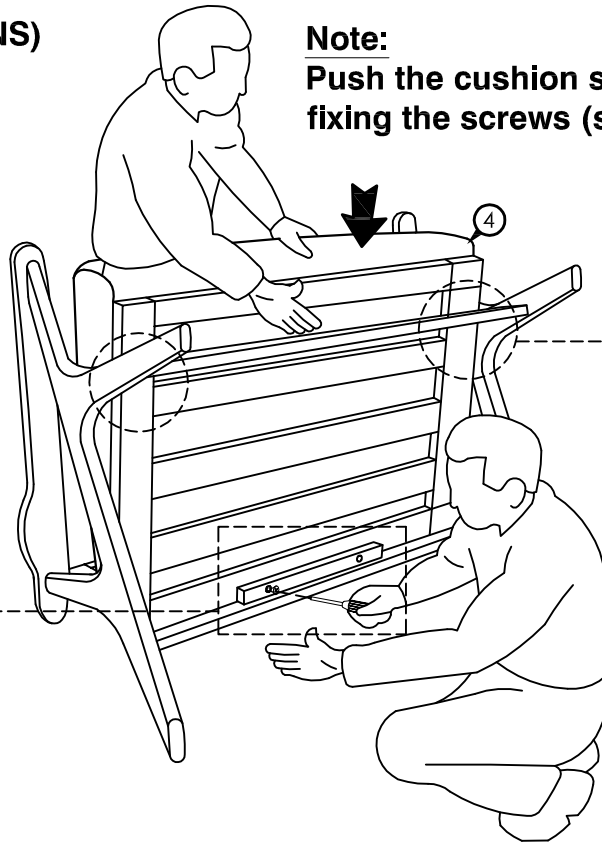
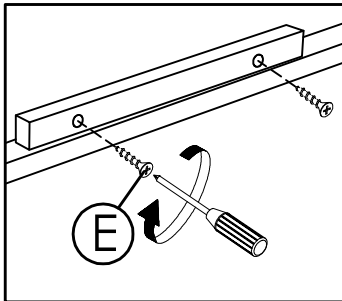
STEP 3 (NEED 2 PERSONS)

Note:

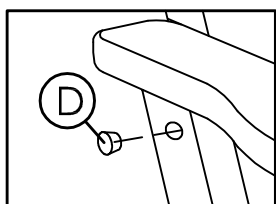
Push the cushion seat harder before fixing the screws (step 3.a).

Step 3.b

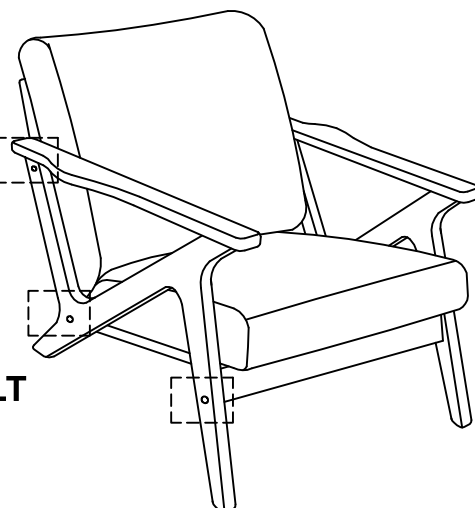
Step 3.a



STEP 4



FULLY TIGHTEN THE BOLT



ASSEMBLY INSTRUCTIONS

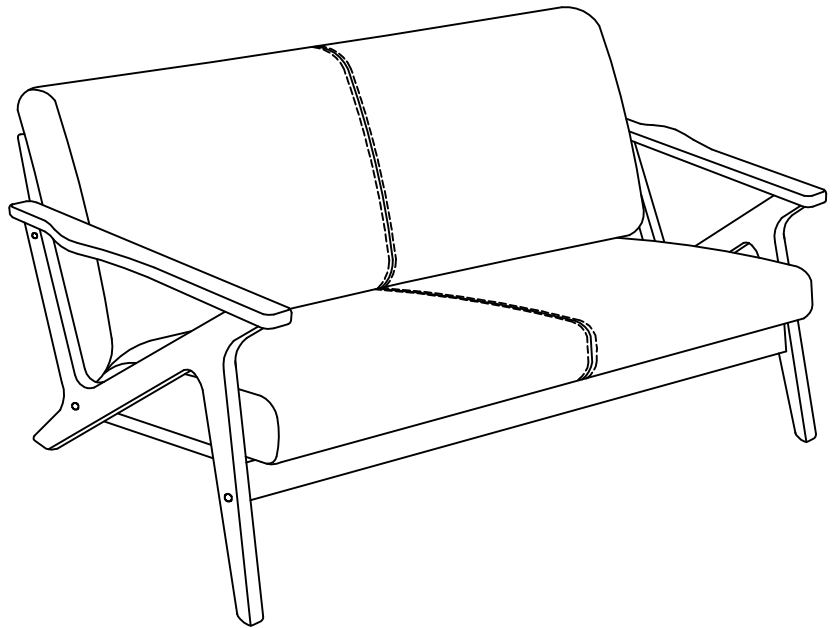
MODEL : BIANCA SOFA - 2 SEATER

IMPORTANT NOTE :

* PLACE ALL WOODEN PARTS ON A CLEAN AND SMOOTH SURFACE SUCH AS A RUG OR CARPET TO AVOID THE PARTS FROM BEING SCRATCHED.

* BEFORE YOU BEGIN, KINDLY FOLLOW THE ASSEMBLY INSTRUCTIONS STEP BY STEP.

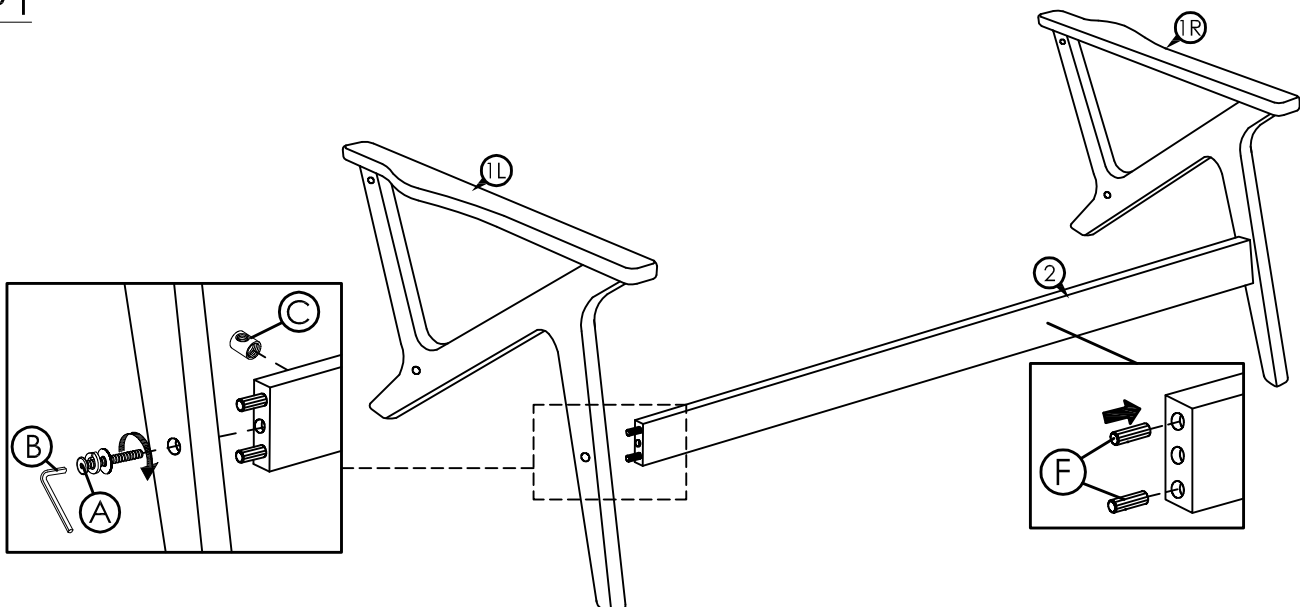
HARDWARE LIST		
A	JCBC M6 x 50mm + S/W M6 + F/W M6 x 13mm	6PCS
B	ALLEN KEY M4	1PC
C	BARREL NUT M6 x 13mm	4PCS
D	WOOD BUTTON Ø 14.5	6PCS
E	FH SCREW #8 X 32mm	4PCS
F	WOOD DOWEL M10 x 40mm	4PCS
G	L - BRACKET	2PCS
H	CSK SCREW M3.5 x 16mm	4PCS



COMPLETED SOFA ASSEMBLY.

PART LIST		
1	SOFA LEG (L/R)	2PCS
2	FRONT RAIL	1PC
3	BACK FRAME	1PC
4	SEAT FRAME	1PC

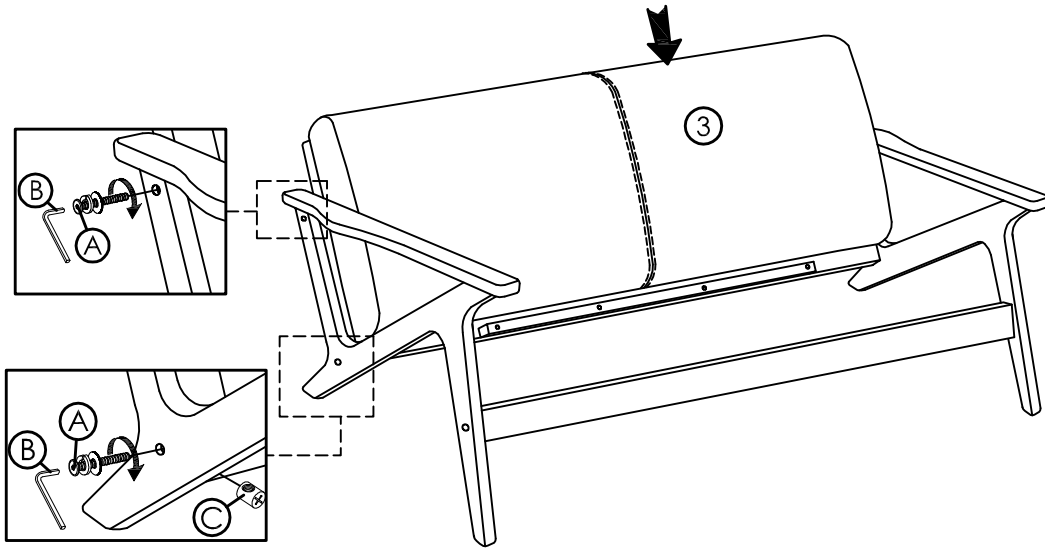
STEP 1



DO NOT FULLY TIGHTEN THE BOLT

ASSEMBLY INSTRUCTIONS

STEP 2

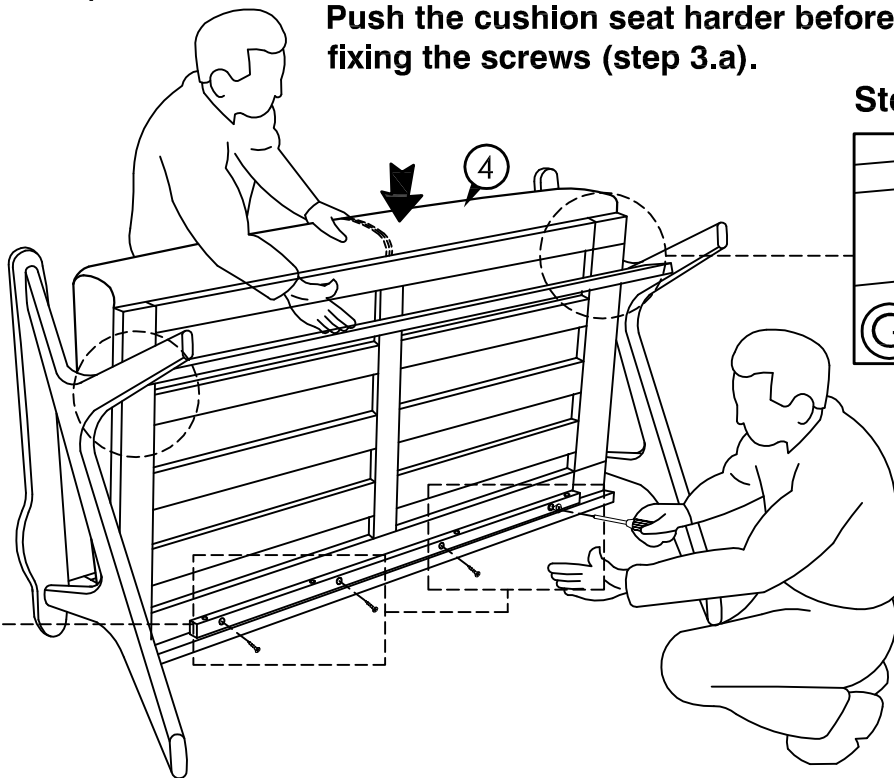
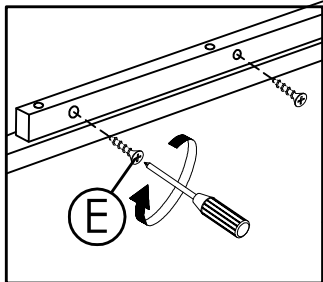


STEP 3 (NEED 2 PERSONS)

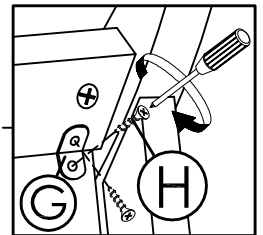
Note:

Push the cushion seat harder before fixing the screws (step 3.a).

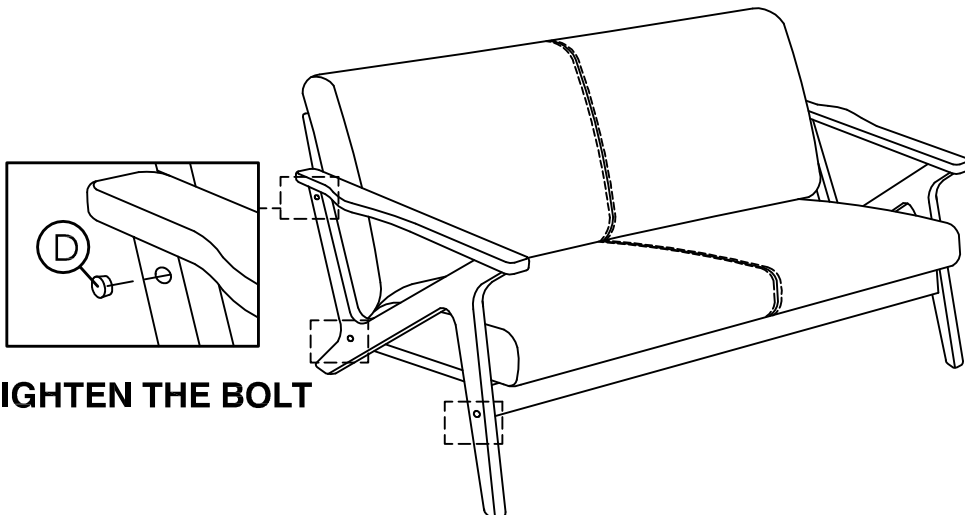
Step 3.a



Step 3.b



STEP 4

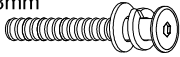
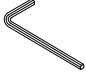


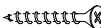


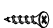


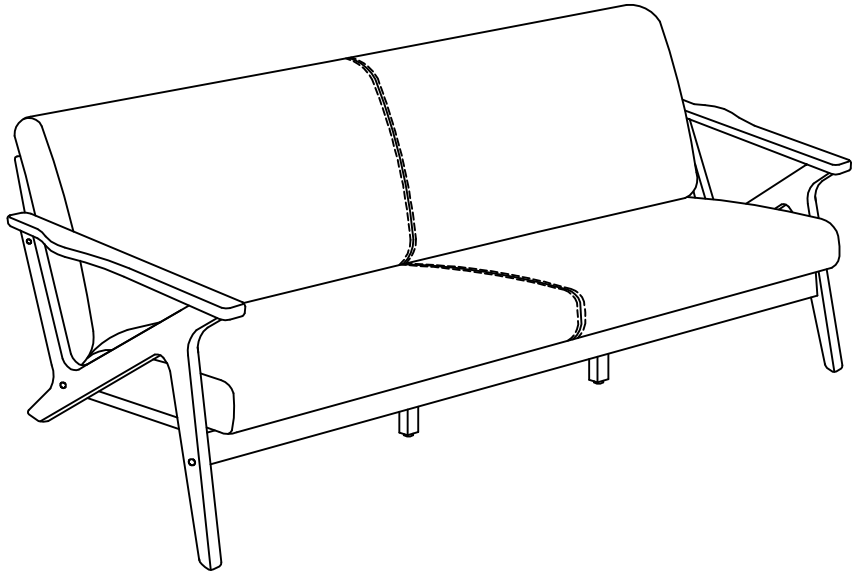
ASSEMBLY INSTRUCTIONS

MODEL : BIANCA SOFA - 3 SEATER

IMPORTANT NOTE :

- * PLACE ALL WOODEN PARTS ON A CLEAN AND SMOOTH SURFACE SUCH AS A RUG OR CARPET TO AVOID THE PARTS FROM BEING SCRATCHED.
- * BEFORE YOU BEGIN, KINDLY FOLLOW THE ASSEMBLY INSTRUCTIONS STEP BY STEP.

HARDWARE LIST		
A	JCBC M6 x 50mm + S/W M6 + F/W M6 x 13mm 	6PCS
B	ALLEN KEY M4 	1PC
C	BARREL NUT M6 x 13mm 	4PCS
D	WOOD BUTTON Ø 14.5 	6PCS
E	FH SCREW #8 X 32mm 	5PCS
F	WOOD DOWEL M10 x 40mm 	4PCS
G	L - BRACKET 	2PCS
H	CSK SCREW M3.5 x 16mm 	4PCS

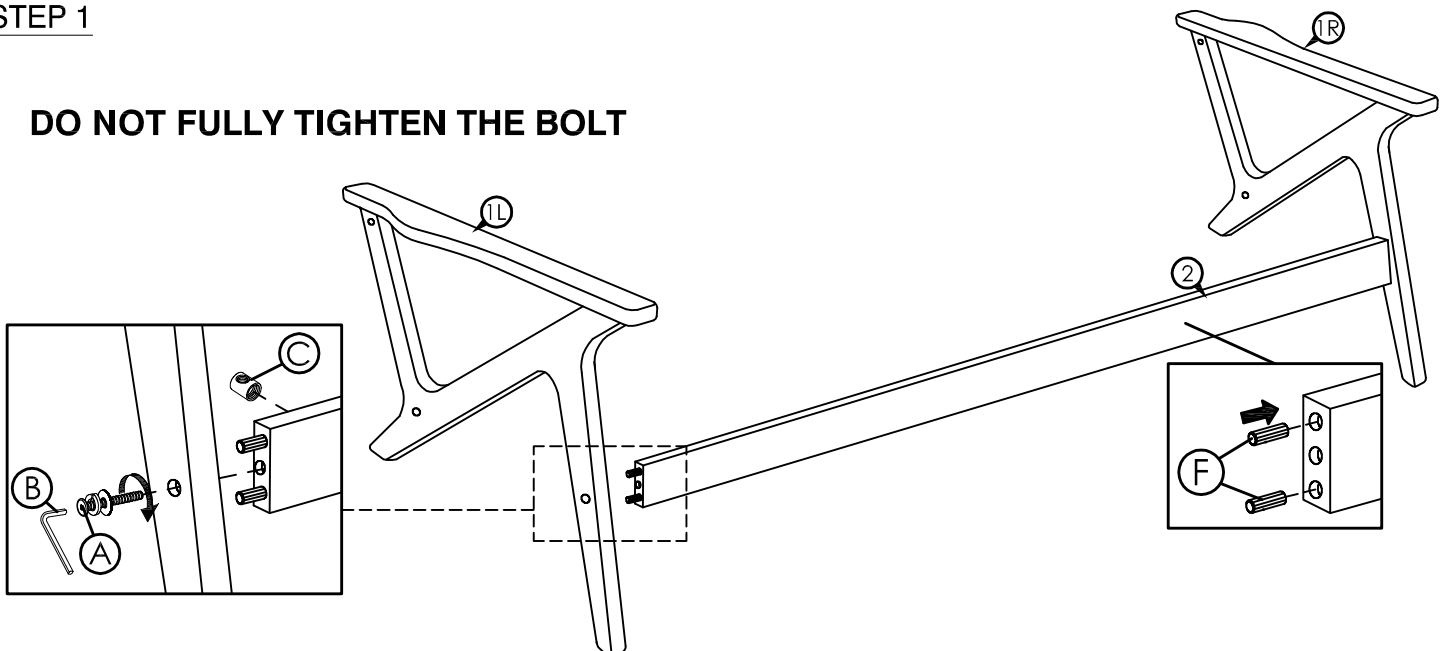


COMPLETED SOFA ASSEMBLY.

PART LIST		
1	SOFA LEG (L/R)	2PCS
2	FRONT RAIL	1PC
3	BACK FRAME	1PC
4	SEAT FRAME	1PC
5	CENTER LEG	2PCS

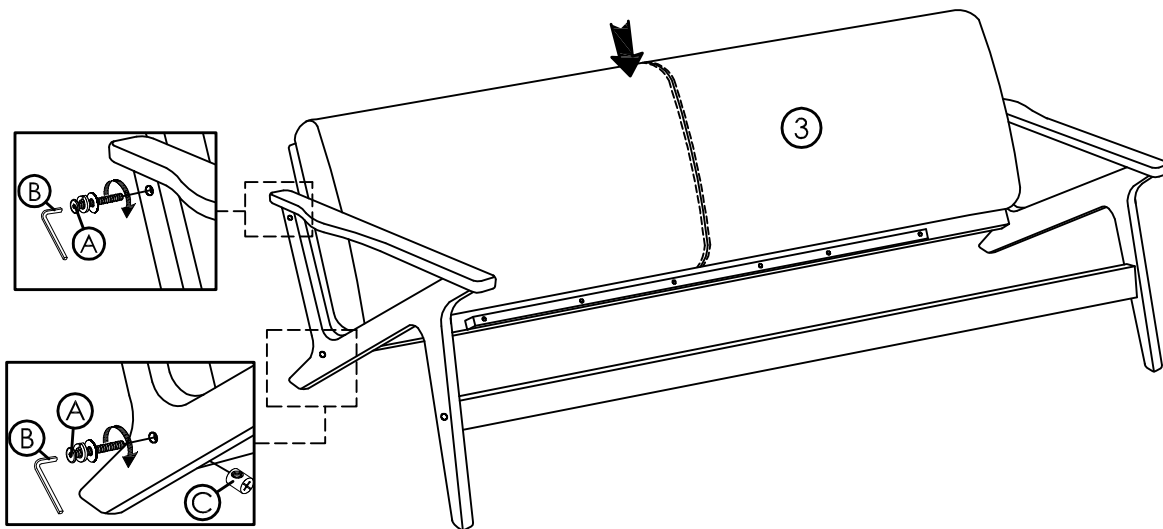
STEP 1

DO NOT FULLY TIGHTEN THE BOLT



ASSEMBLY INSTRUCTIONS

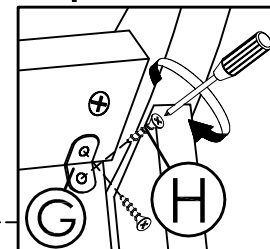
STEP 2



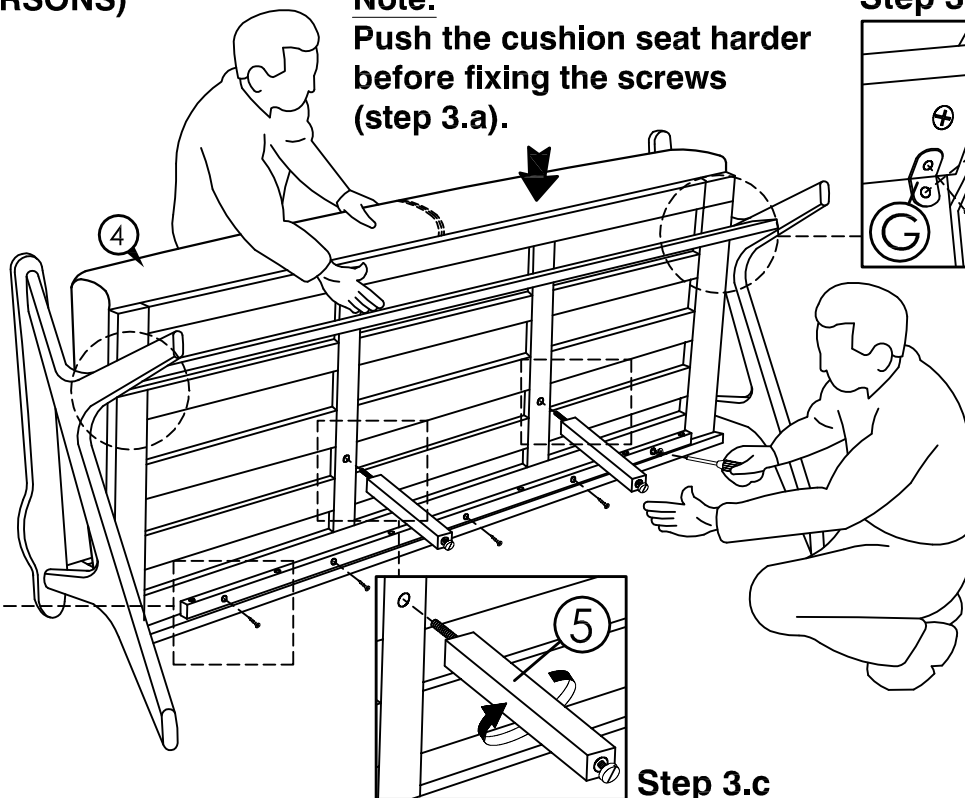
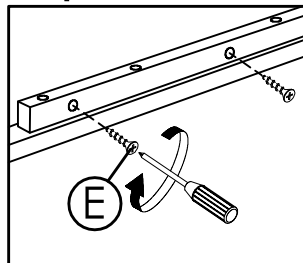
STEP 3 (NEED 2 PERSONS)

Note:
Push the cushion seat harder before fixing the screws (step 3.a).

Step 3.b

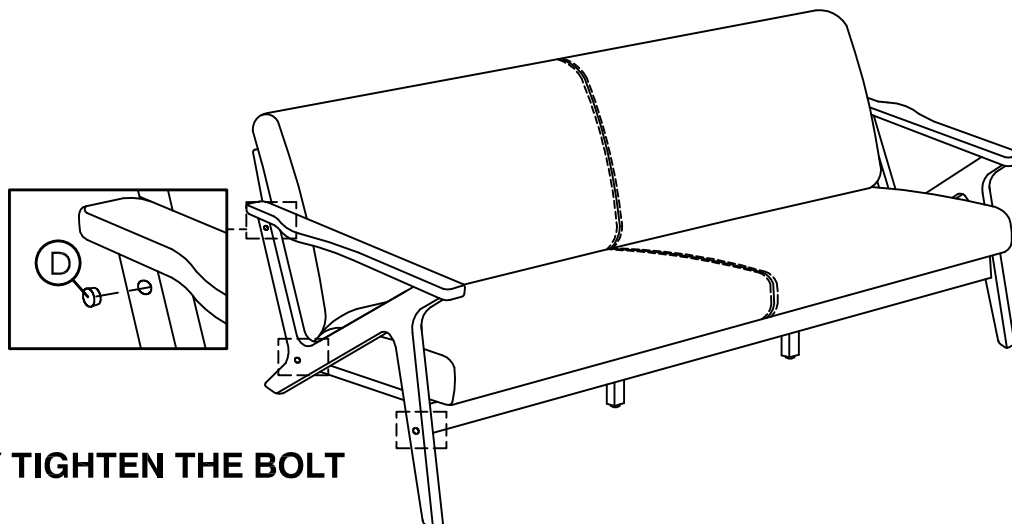


Step 3.a



Step 3.c

STEP 4








FULLY TIGHTEN THE BOLT

ASSEMBLY INSTRUCTIONS

MODEL : BIANCA OTTOMAN

IMPORTANT NOTE :

- * PLACE ALL WOODEN PARTS ON A CLEAN AND SMOOTH SURFACE SUCH AS A RUG OR CARPET TO AVOID THE PARTS FROM BEING SCRATCHED.
- * PLEASE FOLLOW ASSEMBLY INSTRUCTIONS STEP BY STEP.
- * DO NOT FULLY TIGHTEN ALL SCREWS UNTIL THE CHAIR PARTS HAVE BEEN ASSEMBLED.

HARDWARE LIST			PART LIST		
A	JCBC M6 x 50mm + S/W M6 + F/W M6 x 13mm 	4PCS	1	LEG	2PCS
B	ALLEN KEY M4 	1PC	2	STRETCHER	2PCS
C	L-BRACKET 	4PCS	3	CUSHION SEAT	1PC
D	CSK SCREW M3.5 x 12mm 	8PCS			
E	WOOD DOWEL M8 x 25mm 	2PCS			

PLEASE NOTE :

(1) DO NOT FULLY-TIGHTEN THE NUTS AND BOLTS UNTIL ALL PARTS HAVE BEEN ASSEMBLED.

(TO AVOID CAUSING DAMAGE TO THE THREADS, DO NOT OVER-TIGHTEN THE NUTS AND BOLTS.)

(2) KEEP ALL PARTS OUT OF THE REACH OF CHILDREN.

