

ASSEMBLY INSTRUCTION

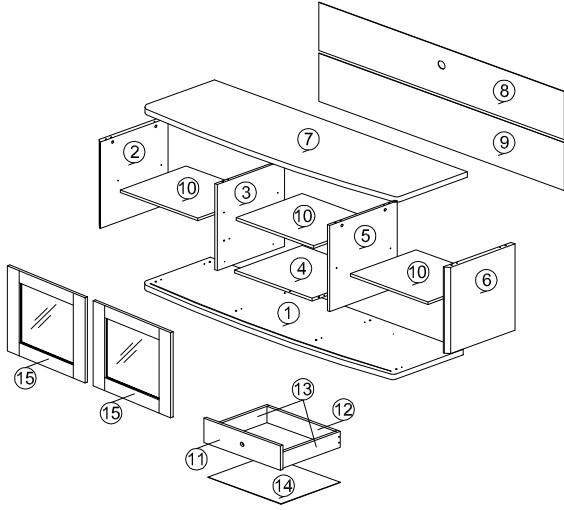
MODEL : TV 838071

DESCRIPTION : TV CABINET

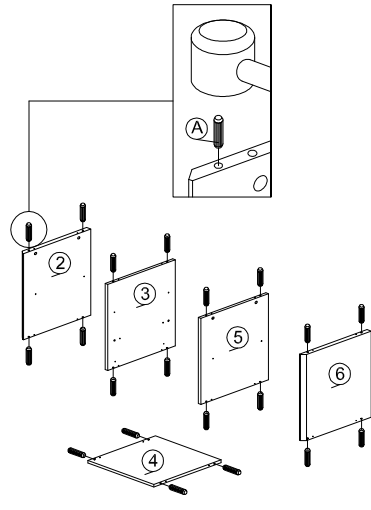
HARDWARE

A WOOD DOWEL 8 X 25 1X20	B CB SCREW M3.5X16MM 1X60	C CB SCREW M4X38MM 1X8	D CB SCREW M4X65MM 1X8	E NAIL 5/8 1X30	F L KEY 1X1	G MINIFIX 5654+5546 12 SETS	G QUICKFIT CAP 12 SETS	H METAL SHELF SUPPORT 5X16 1X12	I MIRROR BRACKET 1X12	J K455 ROLLER 4 SETS	K HANDLE BK-118-35 (METAL) 1X1	L DRAWER SLIDE 14" 1 SET	M 38100 PVC LEG 1X5
--	---	--	--	----------------------------------	------------------------------	---	--	---	---	--	---	---	---

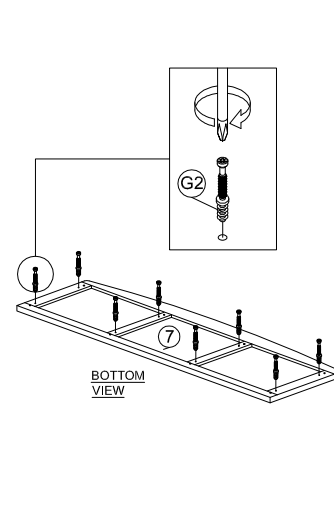
PART LIST



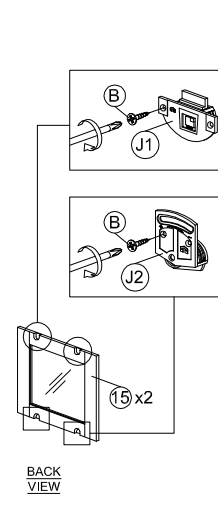
STEP 1



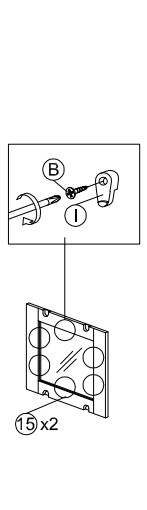
STEP 2



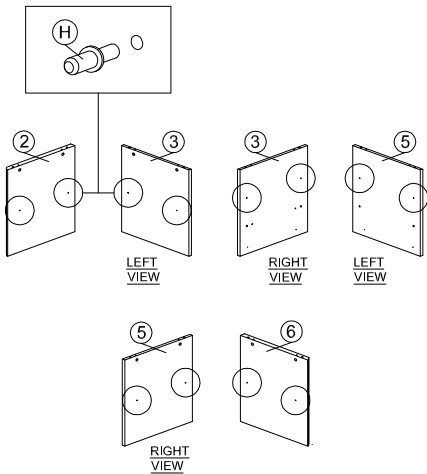
STEP 3



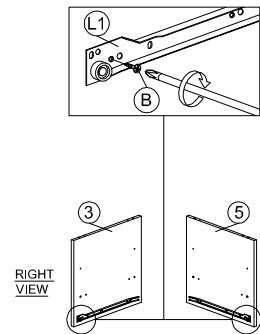
STEP 4



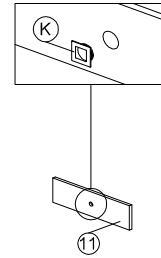
STEP 5



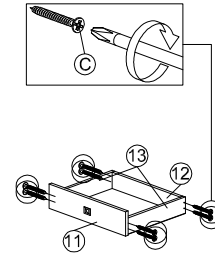
STEP 6



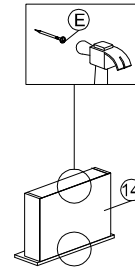
STEP 7



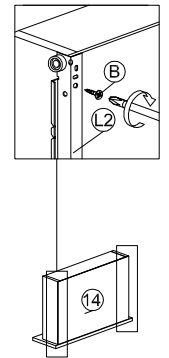
STEP 8



STEP 9

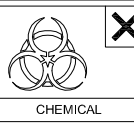


STEP 10

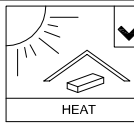




SOFT, DRY CLOTH



CHEMICAL



HEAT



KEEP DRY



HANDLE WITH CARE



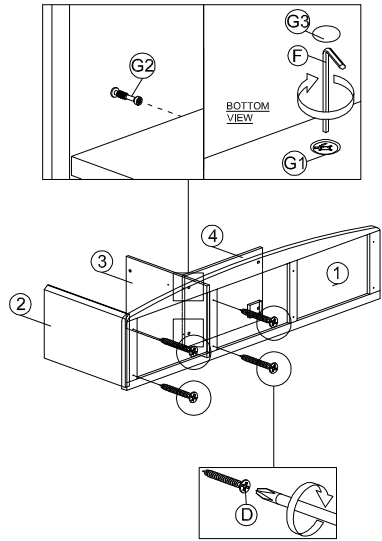
DO NOT USE KNIFE

ASSEMBLY INSTRUCTION

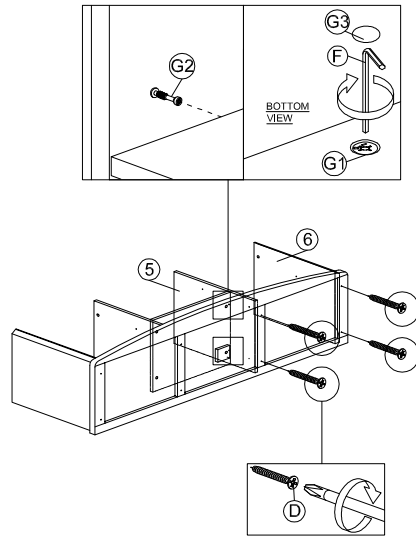
MODEL : TV 838071

DESCRIPTION : TV CABINET

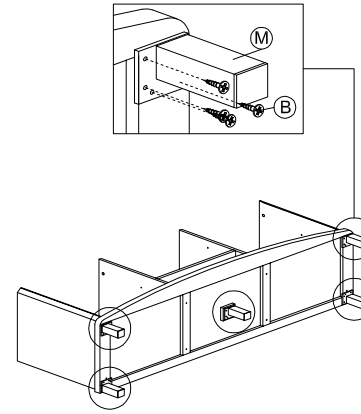
STEP 11



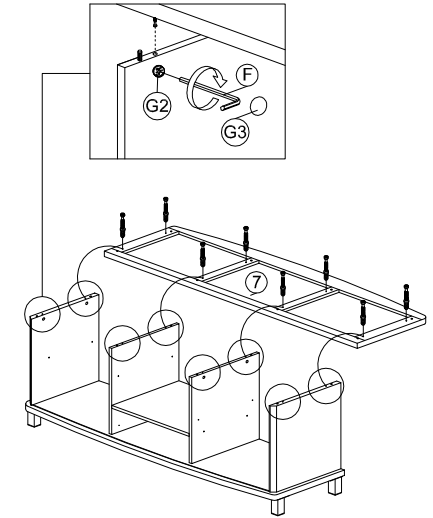
STEP 12



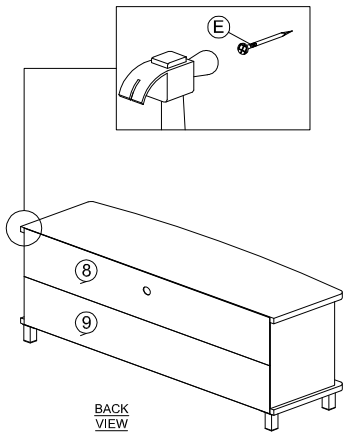
STEP 13



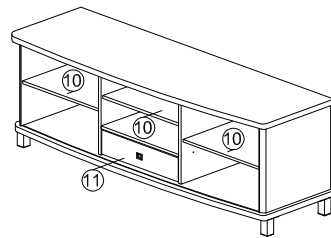
STEP 14



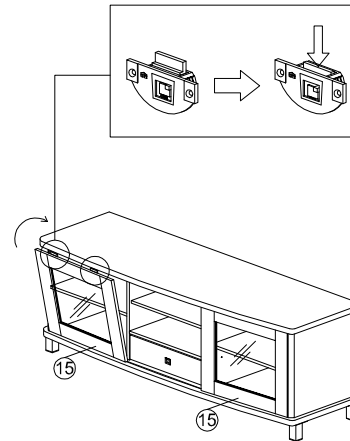
STEP 15



STEP 16



STEP 17



COMPLETED

