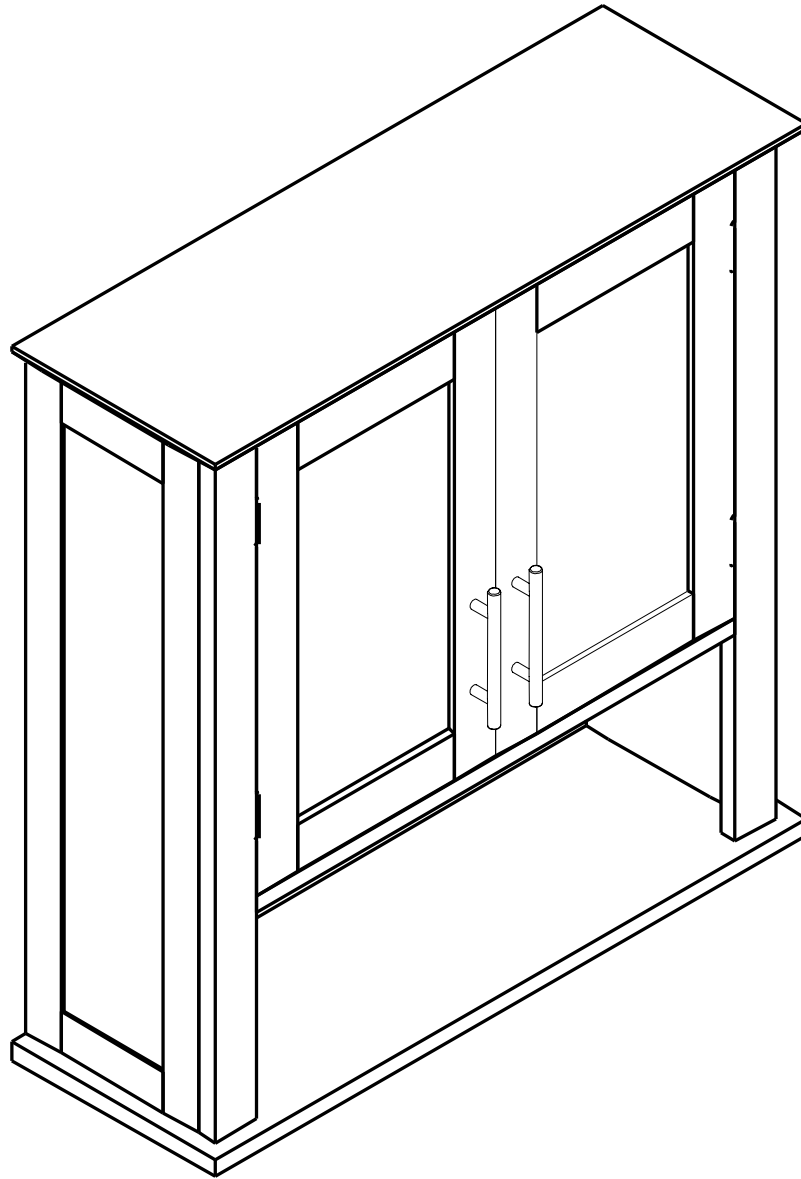
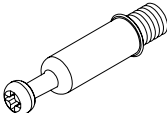

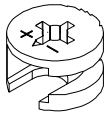
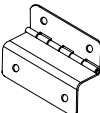
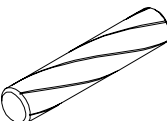
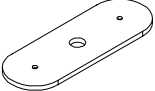
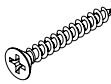
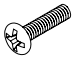
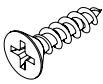
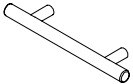
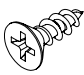
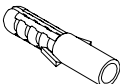
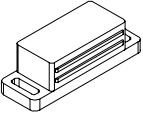


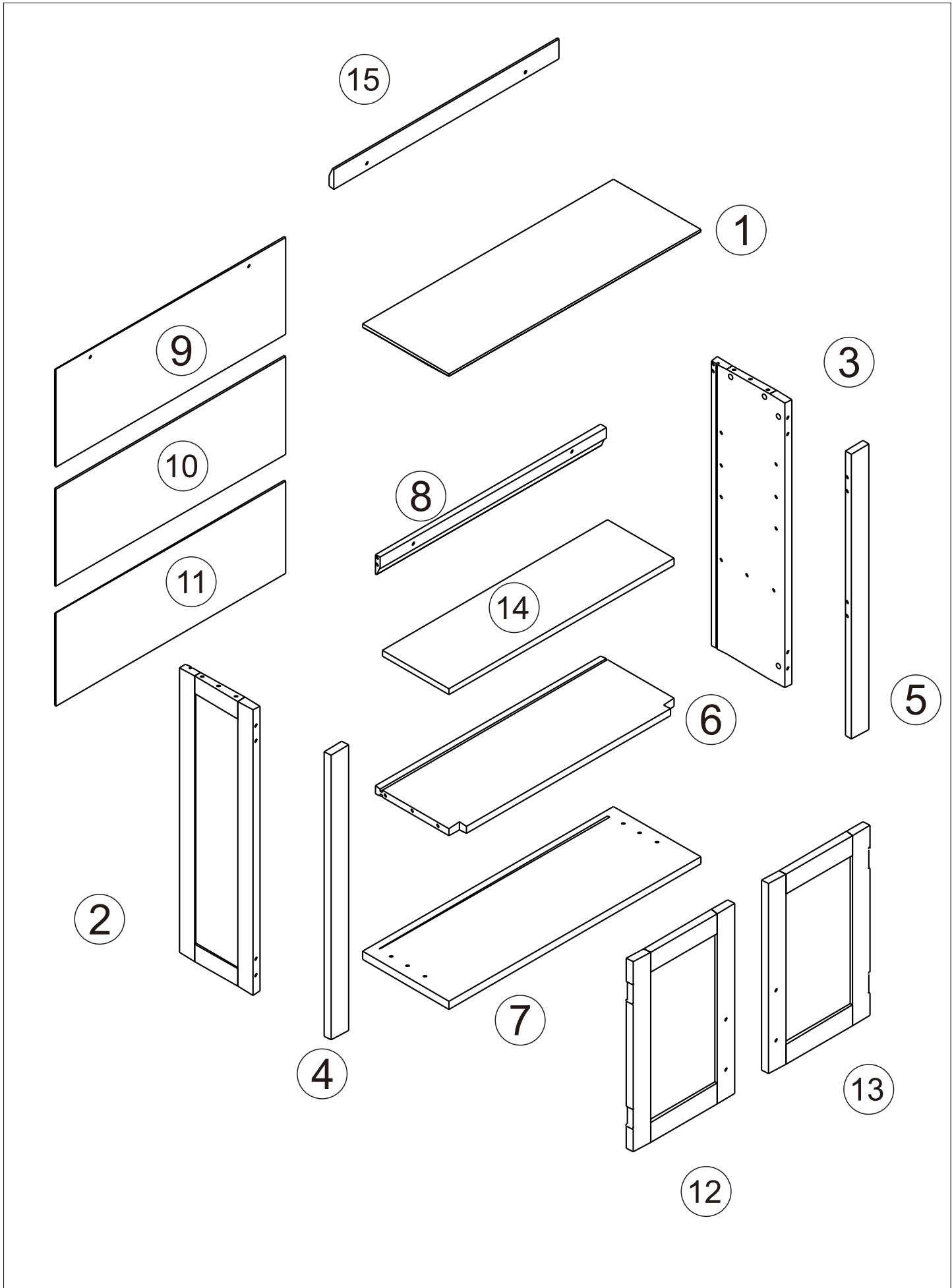
**WI11337**






**USER'S MANUAL**

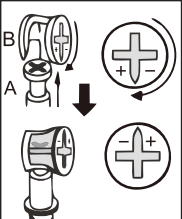
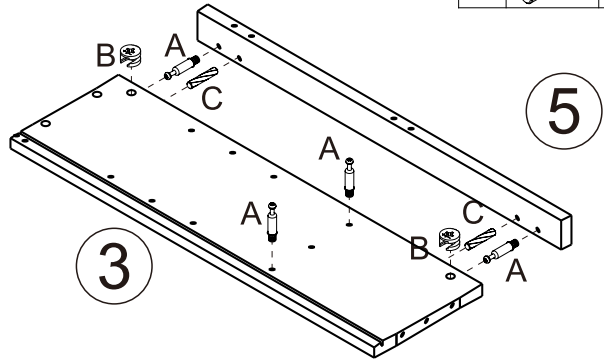
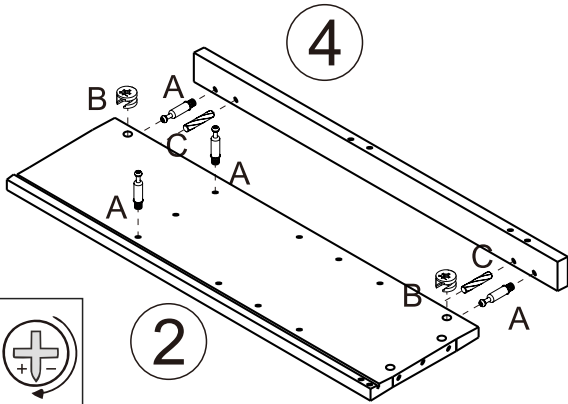
# Hardware List

<b>A</b>		<b>12 pcs</b>	<b>H</b>		<b>4 pcs</b>
<b>B</b>		<b>12 pcs</b>	<b>I</b>		<b>4 pcs</b>
<b>C</b>		<b>14 pcs</b>	<b>J</b>		<b>2 pcs</b>
<b>D</b>		<b>8 pcs</b>	<b>K</b>		<b>2 pcs</b>
<b>E</b>		<b>2 pcs</b>	<b>L</b>		<b>2 pcs</b>
<b>F</b>		<b>18 pcs</b>	<b>M</b>		<b>4 pcs</b>
<b>G</b>		<b>1 pc</b>			





# Step 1

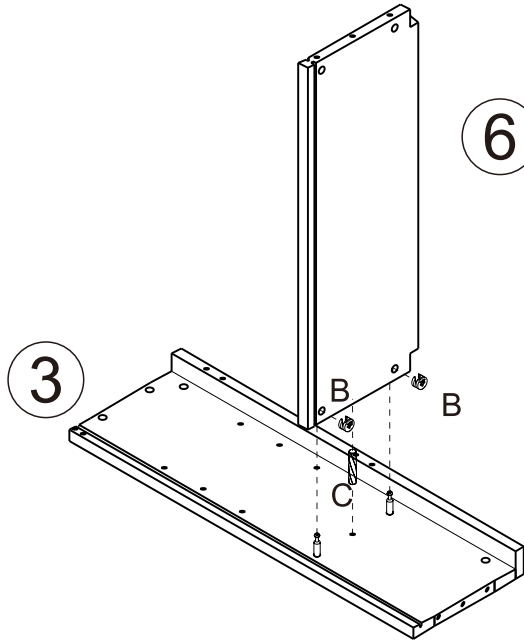
A		8 pcs
B		4 pcs
C		4 pcs



Fix hardware A and C to Part 4 and 5, and fix hardware A to Part 2 and 3.  
Connect Part 4 to Part 2 with screw B, and connect Part 5 to Part 3 with screw B.

# Step 2

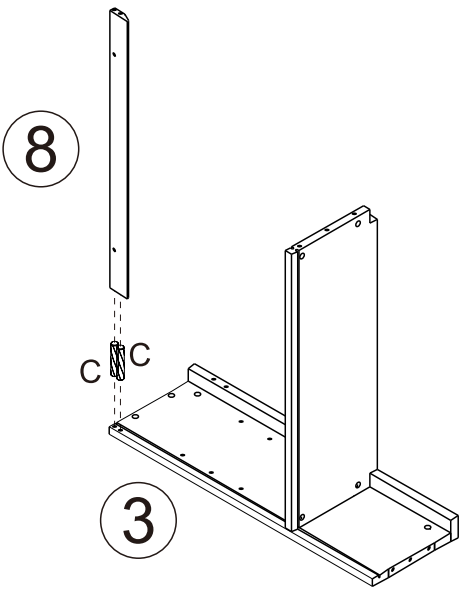
B		2 pcs
C		1 pc



Fix hardware C to Part 3, and connect Part 6 to Part 3 with screw B.

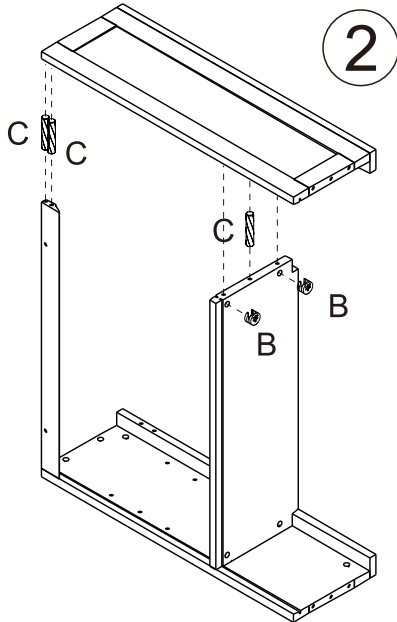
# Step 3

C		2 pcs
---	---	-------



Connect Part 8 to Part 3 with hardware C.

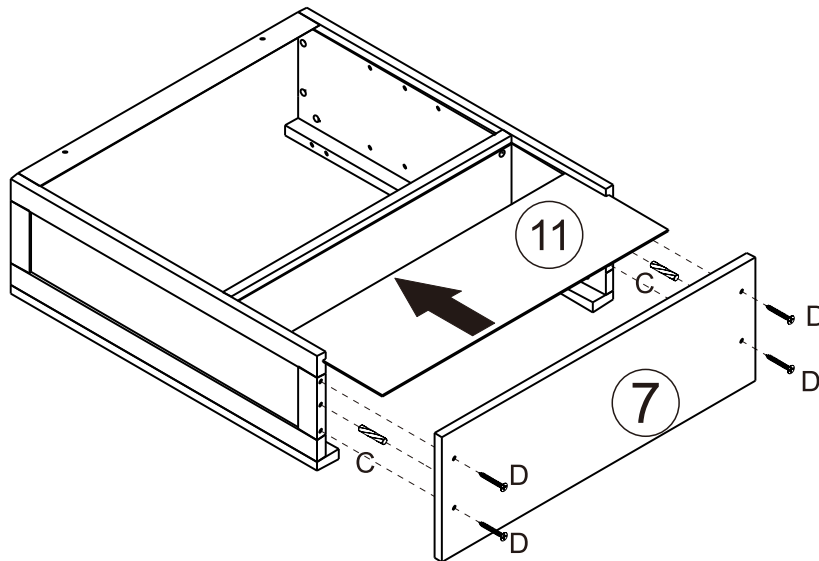
### Step 4



B		2 pcs
C		3 pcs

Fix hardware C to Part 6 and 8, and then connect Part 2 to Part 6 and 8 with screw B.

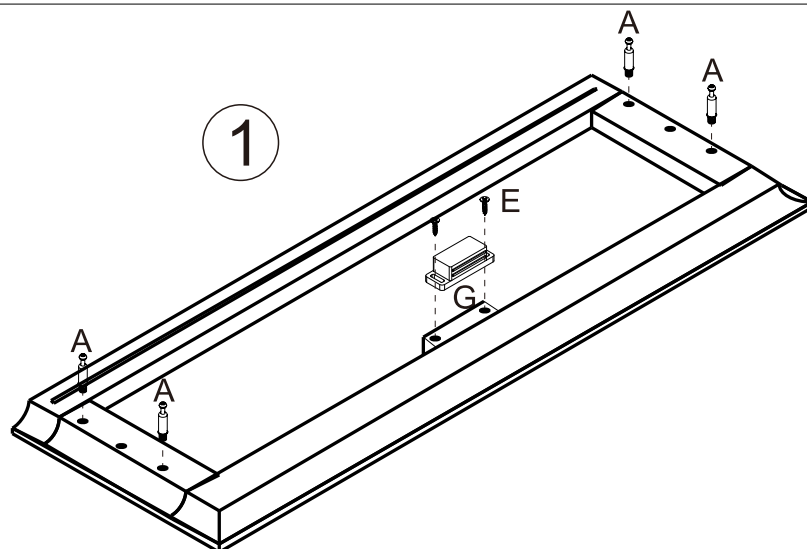
### Step 5



C		2 pcs
D		4 pcs

Put Part 11 to the groove of Part 2, 3 and 6, and then fix Part 7 to Part 2 and 3 with hardware C and D.

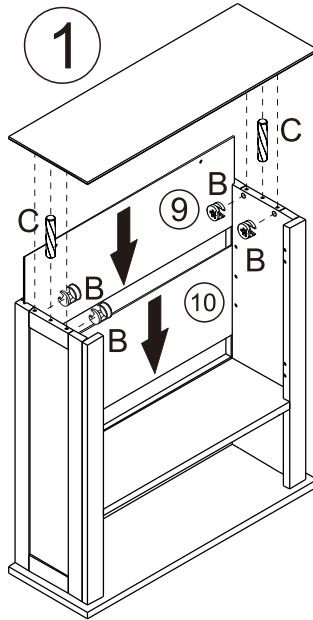
### Step 6



A		4 pcs
E		2 pcs
G		1 pc

Fix hardware A to Part 1, and fix hardware G to Part 1 with screw E.

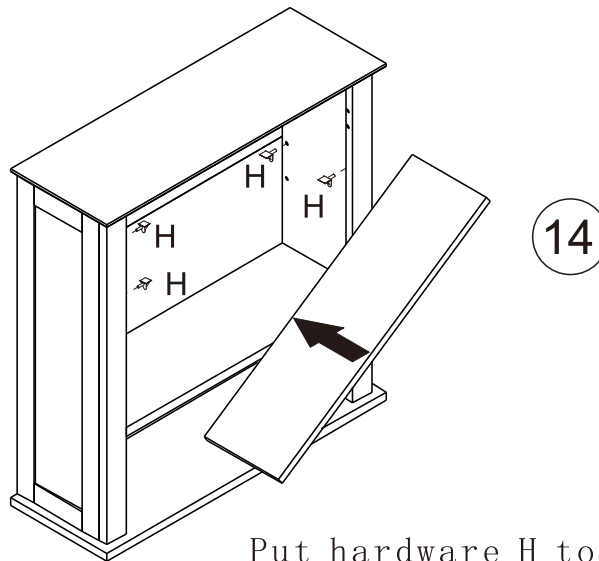
### Step 7



B		4 pcs
C		2 pcs

Fix Part 1 to Part 2 and 3 with hardware C and B.

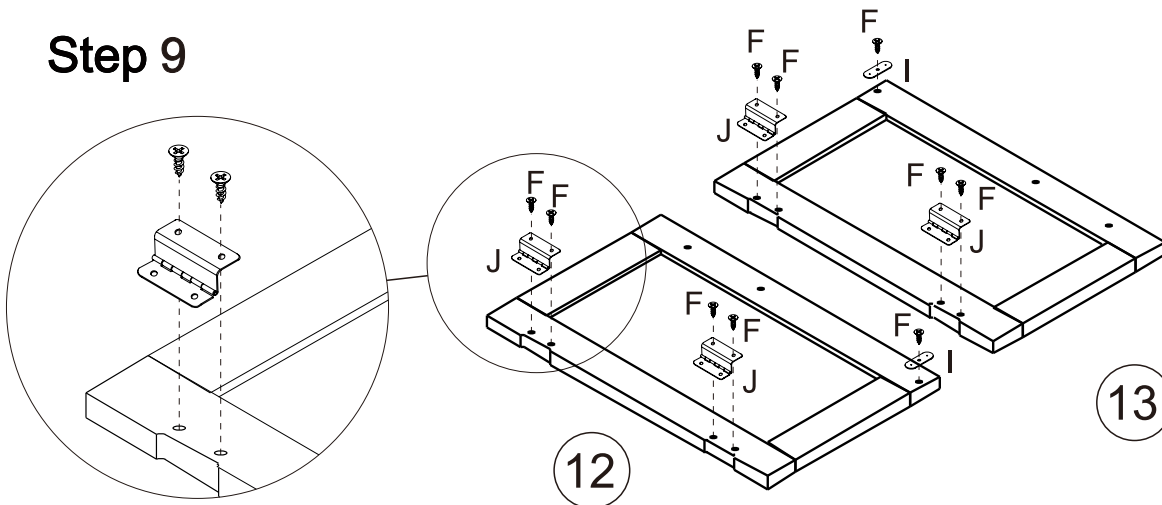
### Step 8



H		4 pcs
---	--	-------

Put hardware H to the screw hole, and then put Part 14 to the frame.

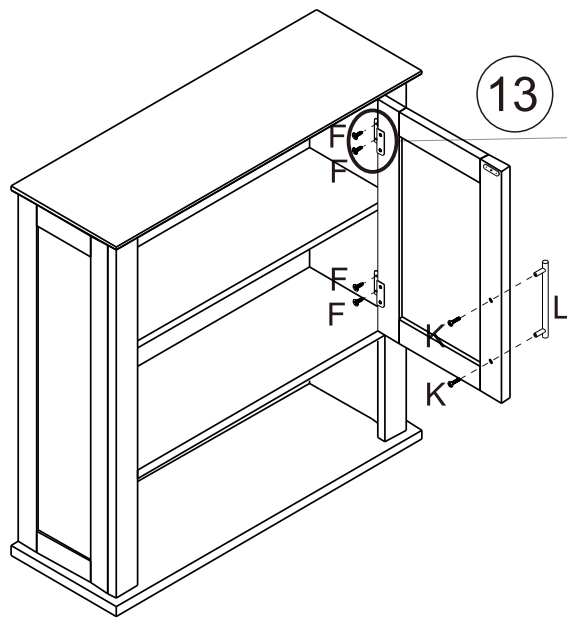
### Step 9



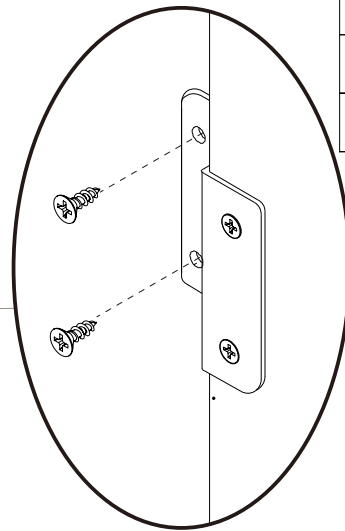
J		4 pcs
F		10 pcs
I		2 pcs

Fix hardware J and I to Part 12 and 13 with screw F.

## Step 10

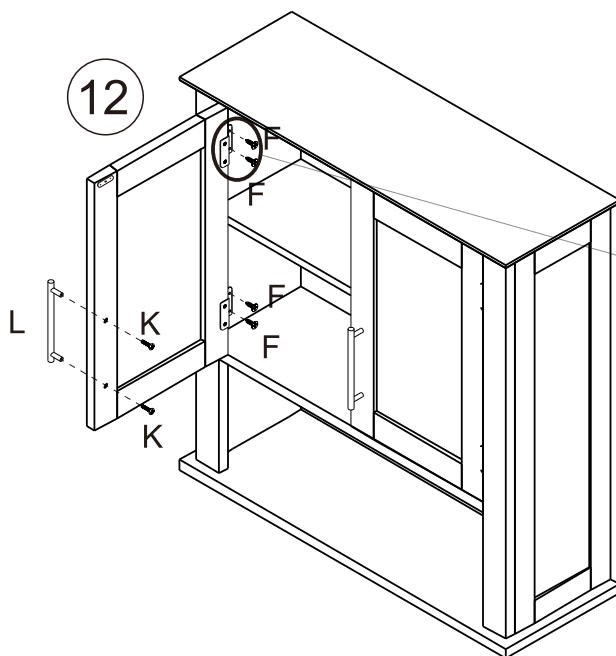


F		4 pcs
J		1 pc
K		2 pcs
L		1 pc

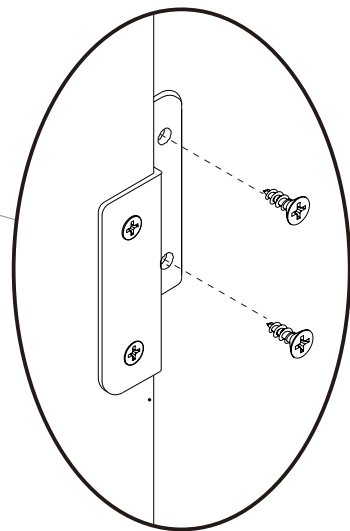


Fix Part 13 to Part 3 with screw F, and fix hardware L to Part 13 with screw K.

## Step 11

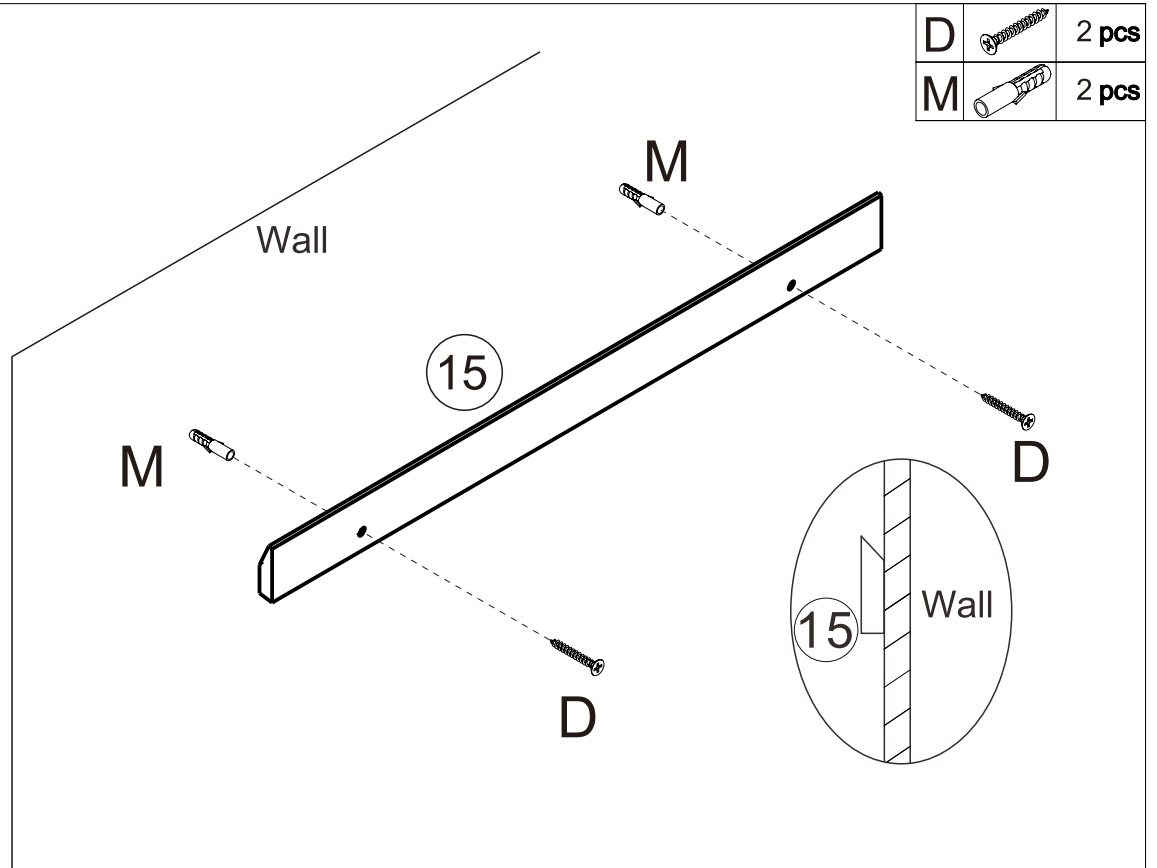


F		4 pcs
J		1 pc
K		2 pcs
L		1 pc



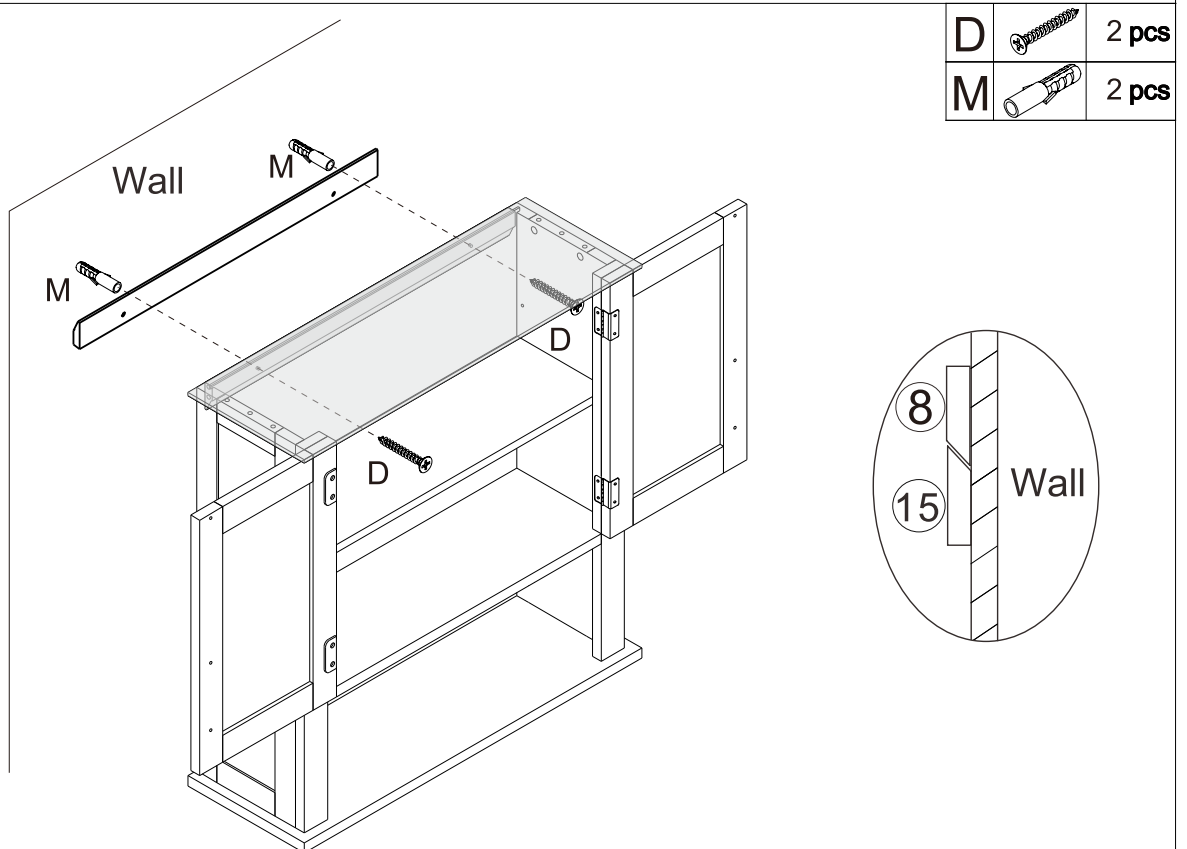
Fix Part 12 to Part 2 with screw F, and fix hardware L to Part 12 with screw K.

## Step 12



Fix hardware M to the wall, and then fix Part 15 to M with screw D.

## Step 13



Fix hardware M to the wall (above Part 15), then hang the cabinet to Part 15 and fix the cabinet to M with screw D.