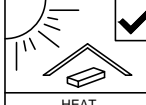




SOFT, DRY CLOTH



CHEMICAL



HEAT



KEEP DRY



HANDLE WITH CARE



DO NOT USE KNIFE

ASSEMBLY INSTRUCTION

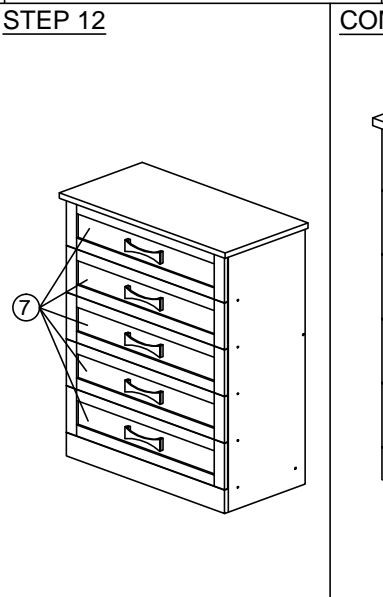
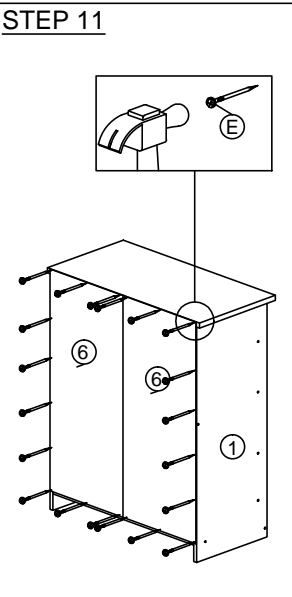
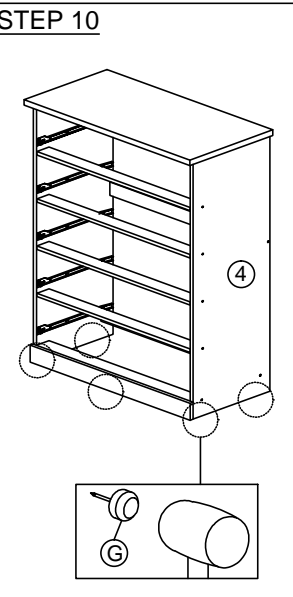
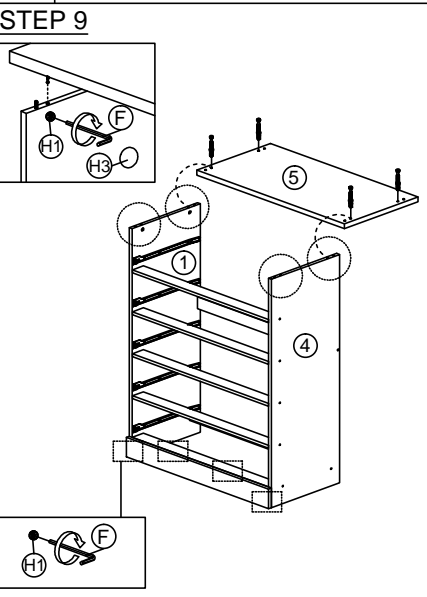
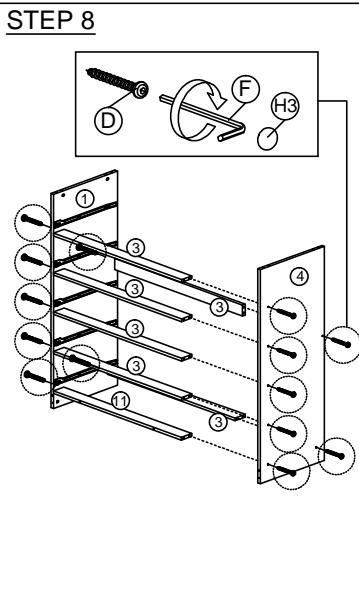
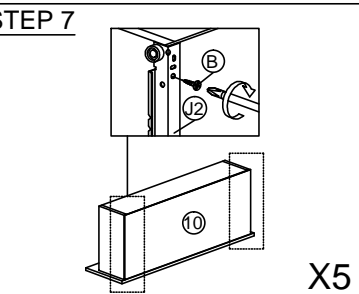
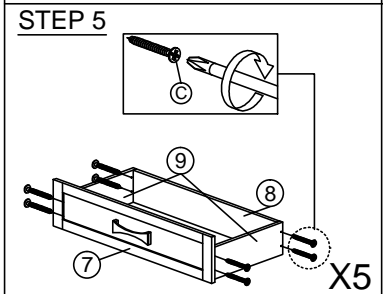
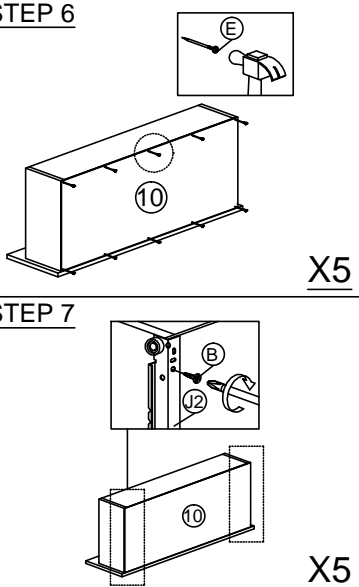
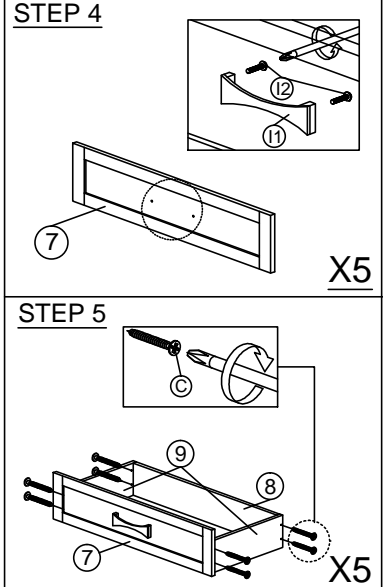
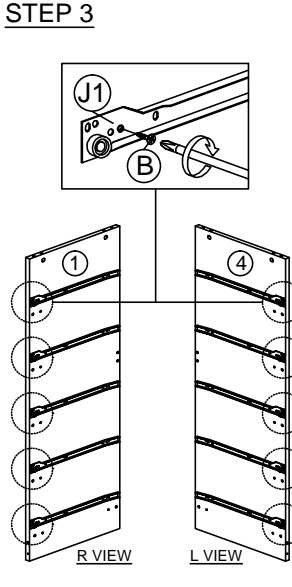
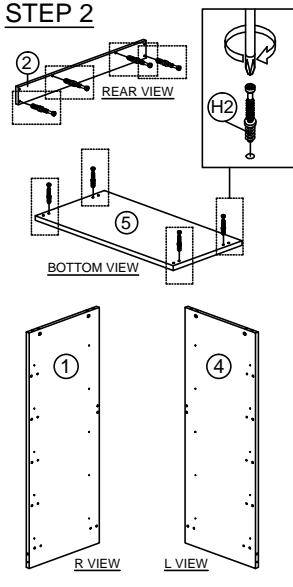
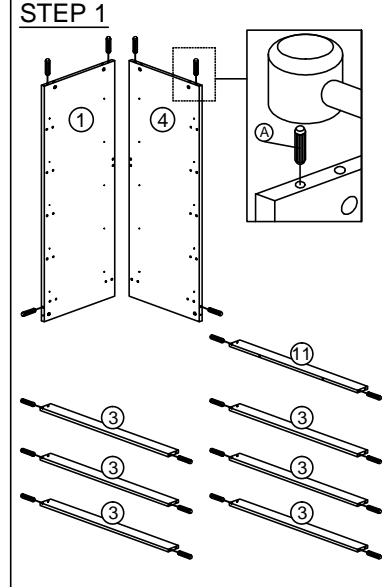
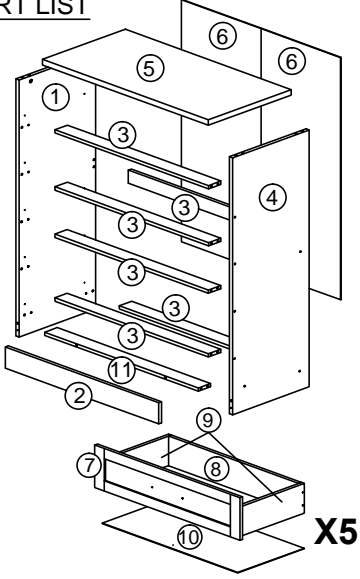
MODEL : BR 888002

DESCRIPTION : 5 DRAWER CHEST

HARDWARE

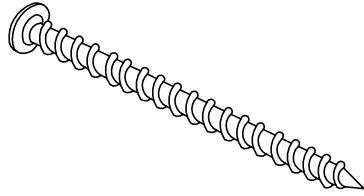
A WOOD DOWEL 8 X 25 20	B 16MM CB SCREW M3.5X16MM 60	C 38MM CB SCREW M4X38MM 40	D 50MM CSK CAP WOOD M6X50MM 14	E NAIL 5/8 70	F ALLEN KEY 1	G PVC NAIL WITH PIN 5/8 5	H H1 MINIFIX (HOUSING) 8 H2 MINIFIX (EURO 24) 8 H3 MINIFIX CAP 18	I HANDLE AW 75-782A 160MM 5	J J1 DRAWER SLIDE 14" 5 J2
--	---	---	---	--------------------------------	--------------------------------	---	--	--	---

PART LIST

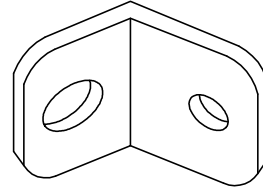


Installation of Anti-Tip Restraint

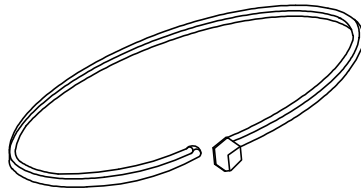
Kit includes:



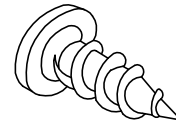
A (x1)
Long screw



B (x2)
Mounting bracket



C (x1)
Restraint strap



D (x1)
Short screw



WARNING



Serious or fatal crushing injuries can occur from furniture tip-over. To help Prevent tip-over:

- Install tip-over restraint provided
- Place heaviest items in the lower drawers
- Do not set TV's or other heavy objects on top of this product
- Never allow children to climb or hang on drawers, doors or shelves
- Never open more than one drawer at a time
- Do not defeat or remove the drawer interlock system

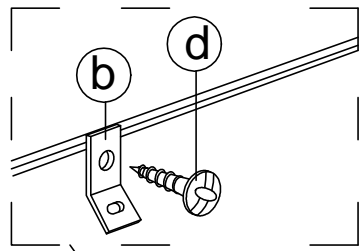
Use tip-over restraints may only reduce but not eliminate the risk of tip-over.

IMPORTANT: Use of this safety kit is mandatory. This restraint is not a substitute for proper adult supervision. Failure to detach this restraint before moving furniture may result in injury and damage.

FITTING OF ANTI-TIP SAFETY STRAP

STEP 1:

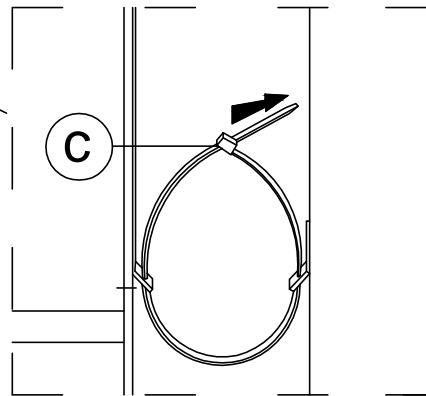
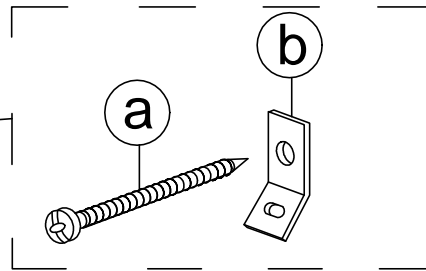
- Attach the mounting bracket (b) to the furniture in the solid part below the top panel a few inches away from the side of the unit.
- Screw (d) through the smallest hole of (b).



BACK SIDE OF TOP PANEL

STEP 2:

- Locate a stud in behind the have to
- Place the other mounting bracket (b) on the wall stud 2 inches below the mounting bracket secured to the back of your unit.
- Attach to the wall stud using (a) through the smaller hole of (b).



STEP 3:

- Repeat the same step a few inches away from the other side of the unit.
- Place the furniture into position so both mounting brackets are vertically in line.
- Lace the end of the restraint strap through the larger holes in each mounting bracket.
- Secure the straps and lock into place.

FURNITURE

WALL

