

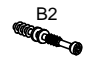
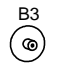

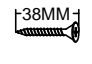

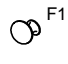


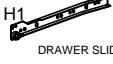

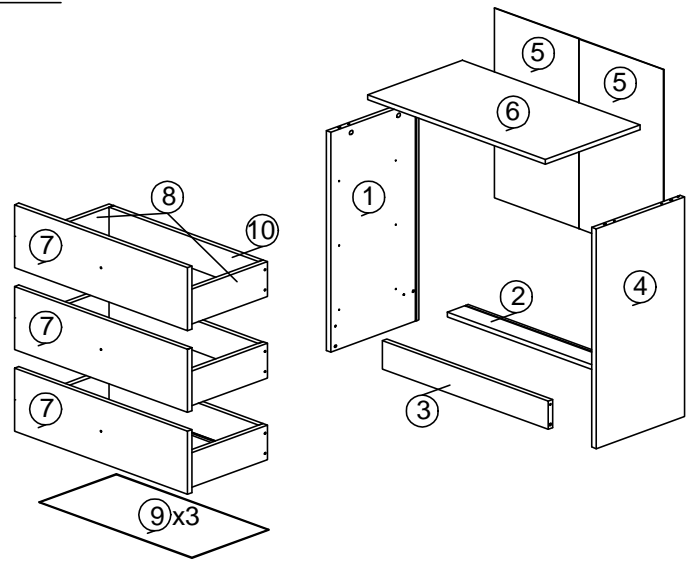


ASSEMBLY INSTRUCTION

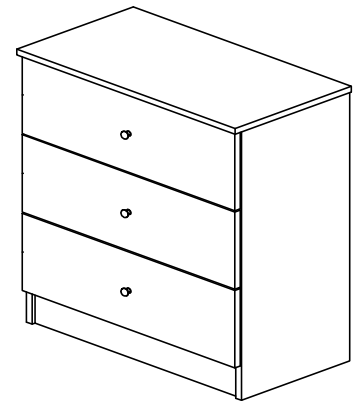
A06 / B06 - CHEST OF 3 DRAWERS

A  WOOD DOWEL 8 X 25 8	B B1  MINIFIX - (HOUSING) 8 B2  MINIFIX - (EURO 24) 8 B3  MINIFIX CAP 8	C  L KEY 1	D  CB SCREW M4X38MM 24	E  CB SCREW M3.5X16MM 36	F F1  HANDLE 5022 3 F2  HANDLE SCREW M4X38MM 3	G  3MM PVH 1	H H1  H2  DRAWER SLIDE 10" 3 SETS
--	--	--	---	--	---	--	---

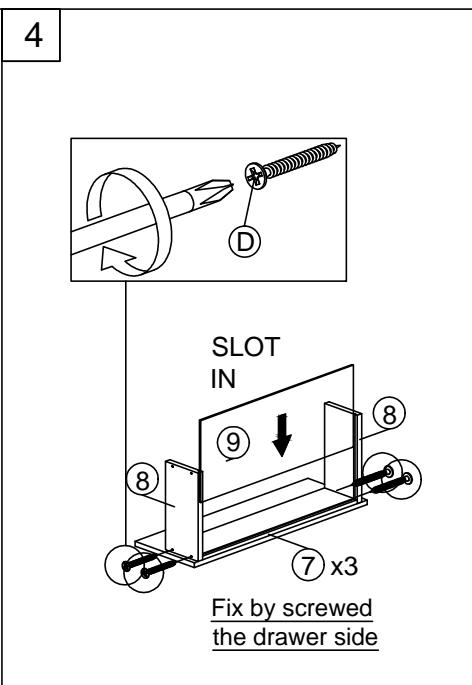
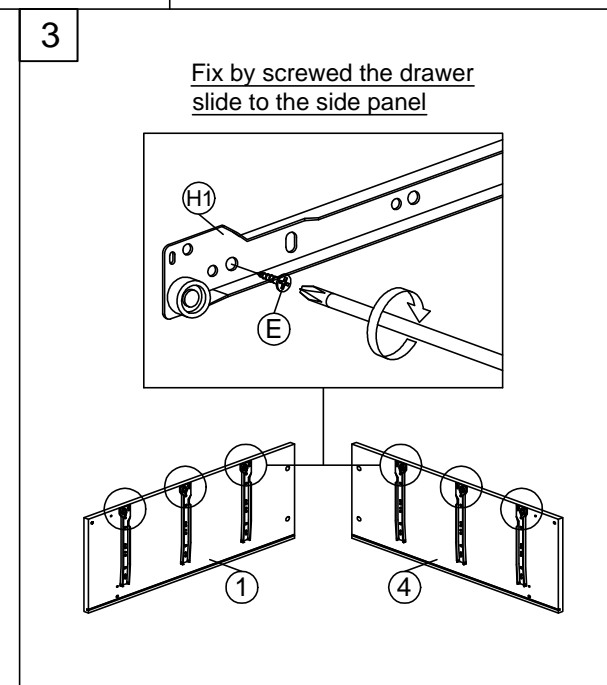
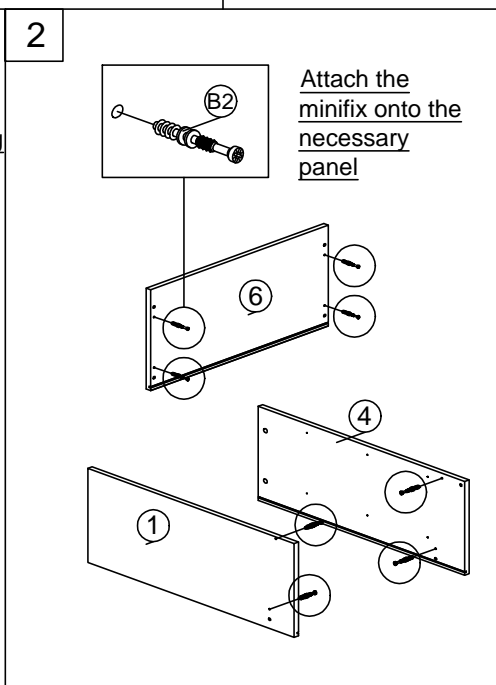
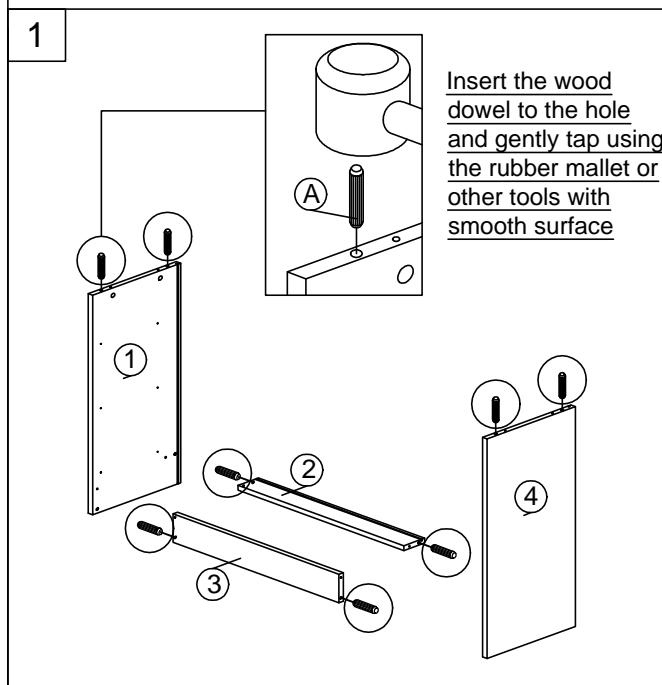
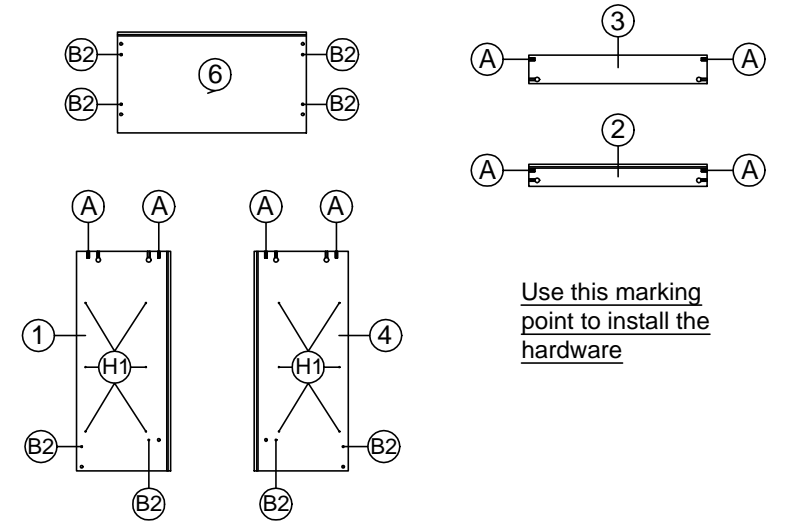
PART LIST



COMPLETED



HARDWARE MARKING

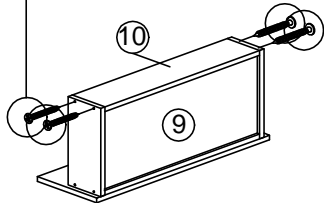
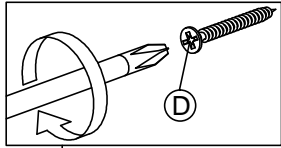


ASSEMBLY INSTRUCTION

A06 / B06 - CHEST OF 3 DRAWERS

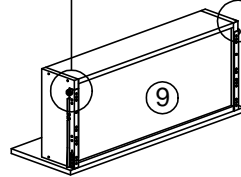
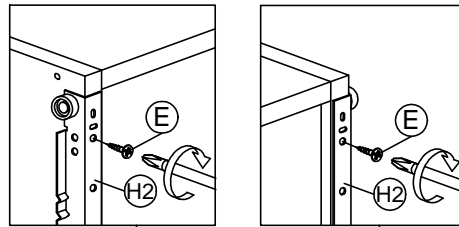
5

Fix by screwed the drawer back



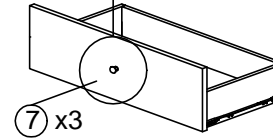
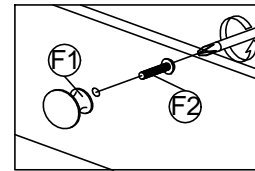
6

Fix by screwed a drawer slide to drawer bottom panel



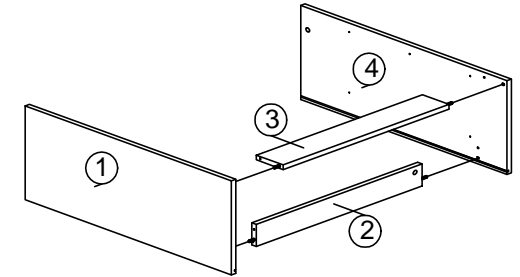
7

Fix handle knob to drawer head



8

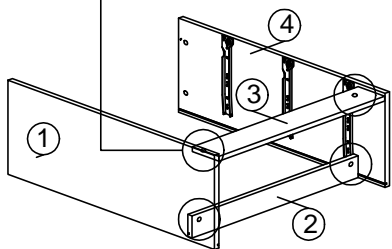
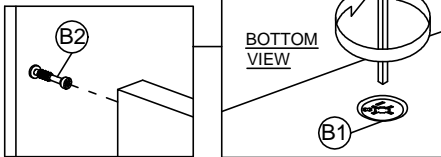
Follow the number steps below to fix all joints.



9

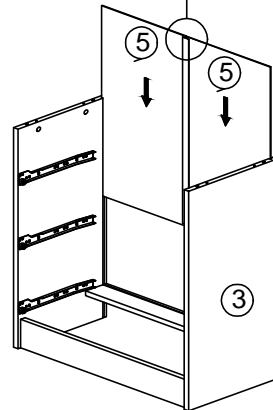
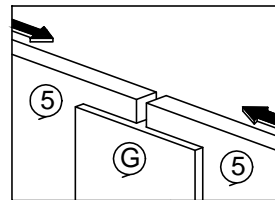
Step 2
Insert the minifix (housing) and lock it by using L key. Then, press minifix cap to cover the hole.

Step 1
Join the panel with minifix (euro) tightly.

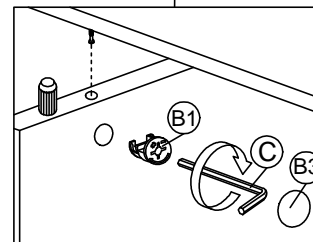
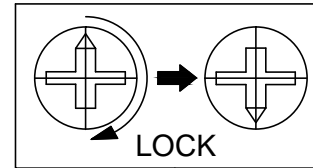


10

Insert the back panel in between PVH profile

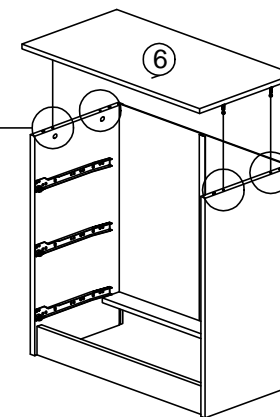


11

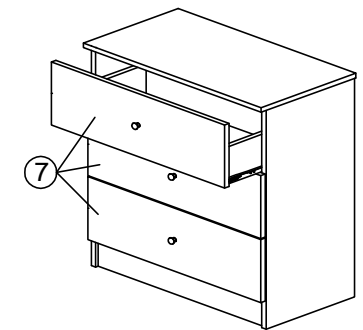


Step 1
Insert the minifix (housing) and lock it by using L key.

Step 2
Fully lock by turn the minifix (housing) clockwise. Then, press minifix cap to cover the hole.



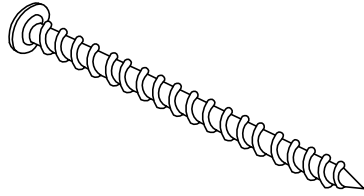
12



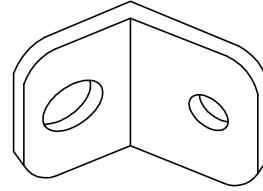
Insert all drawer

Installation of Anti-Tip Restraint

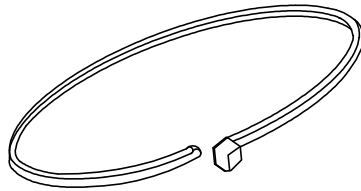
Kit includes:



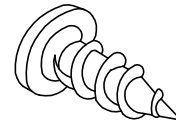
A (x1)
Long screw



B (x2)
Mounting bracket



C (x1)
Restraint strap



D (x1)
Short screw



WARNING



Serious or fatal crushing injuries can occur from furniture tip-over. To help Prevent tip-over:

- Install tip-over restraint provided
- Place heaviest items in the lower drawers
- Do not set TV's or other heavy objects on top of this product
- Never allow children to climb or hang on drawers, doors or shelves
- Never open more than one drawer at a time
- Do not defeat or remove the drawer interlock system

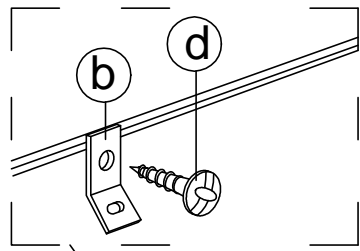
Use tip-over restraints may only reduce but not eliminate the risk of tip-over.

IMPORTANT: Use of this safety kit is mandatory. This restraint is not a substitute for proper adult supervision. Failure to detach this restraint before moving furniture may result in injury and damage.

FITTING OF ANTI-TIP SAFETY STRAP

STEP 1:

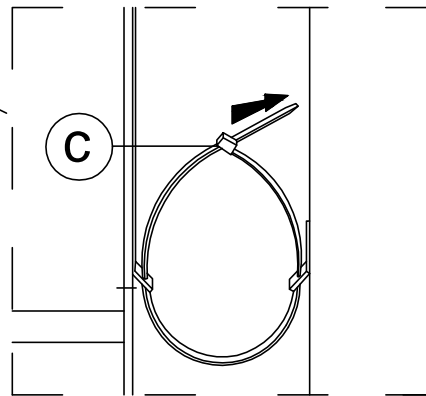
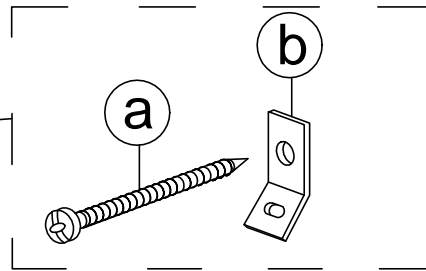
- Attach the mounting bracket (b) to the furniture in the solid part below the top panel a few inches away from the side of the unit.
- Screw (d) through the smallest hole of (b).



BACK SIDE OF TOP PANEL

STEP 2:

- Locate a stud in behind the have to
- Place the other mounting bracket (b) on the wall stud 2 inches below the mounting bracket secured to the back of your unit.
- Attach to the wall stud using (a) through the smaller hole of (b).



STEP 3:

- Repeat the same step a few inches away from the other side of the unit.
- Place the furniture into position so both mounting brackets are vertically in line.
- Lace the end of the restraint strap through the larger holes in each mounting bracket.
- Secure the straps and lock into place.

FURNITURE

WALL

