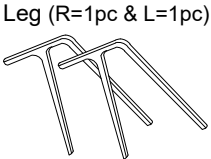

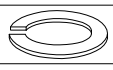
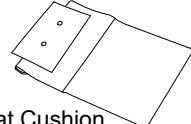

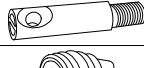


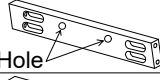
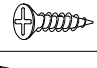
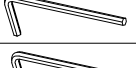
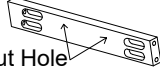

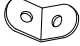


# ASSEMBLY INSTRUCTIONS

MODEL : RDC 828

ITEM	HARDWARE NAME	QTY	ITEM	HARDWARE NAME	QTY
1	Leg (R=1pc & L=1pc) 	2 PCS	A	JCBC BOLT M6 X 45 mm 	8 PCS
			B	SPRING WASHER M6 	8 PCS
2	Seat Cushion 	1 PC	C	BARREL NUT (Short) 	2 PCS
			D	BARREL NUT (Long) 	2 PCS
3	Back Support 	1 PC	E	BARREL NUT LOCK 	2 PCS
4	Apron With Hole 	1 PC	F	CSK SCREW M4 x 12 mm 	8 PCS
			G	ALLEN KEY M4 	1 PC
5	Apron Without Hole 	1 PC	H	ALLEN KEY M5 	1 PC
			I	BRACKET 	4 PCS

