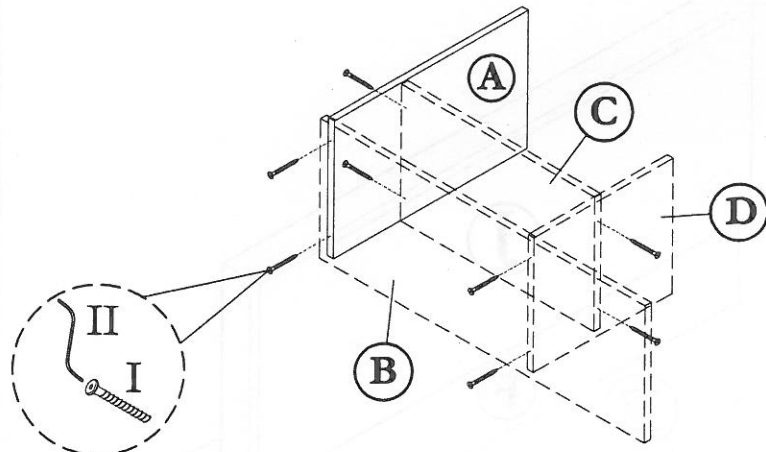


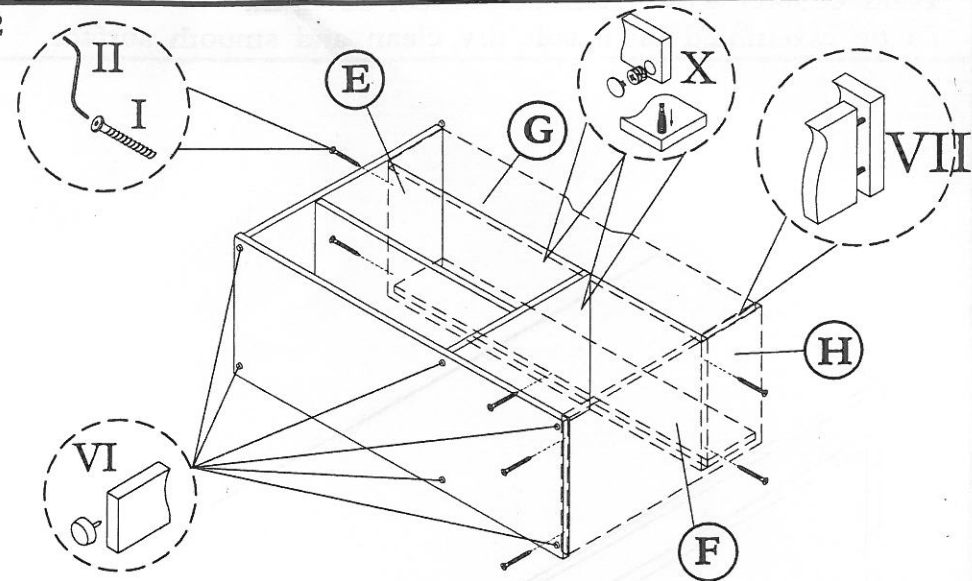
ASSEMBLY INSTRUCTION
MODEL : 7175/ SHOE RACK

Before you begin, please follow assembly instruction carefully.
 Then follow them step by step.

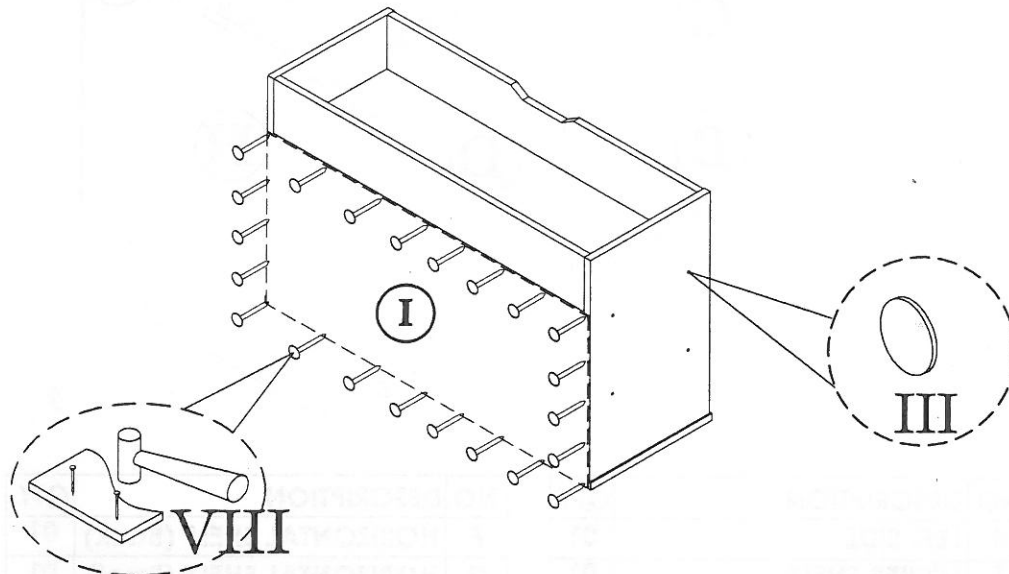
STEP 1



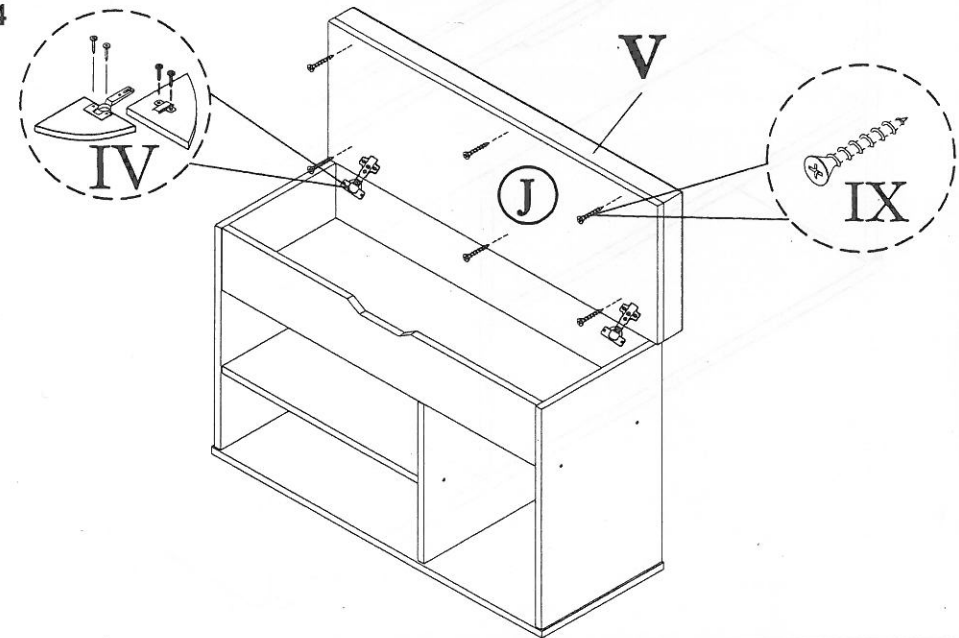
STEP 2



STEP 3



STEP 4



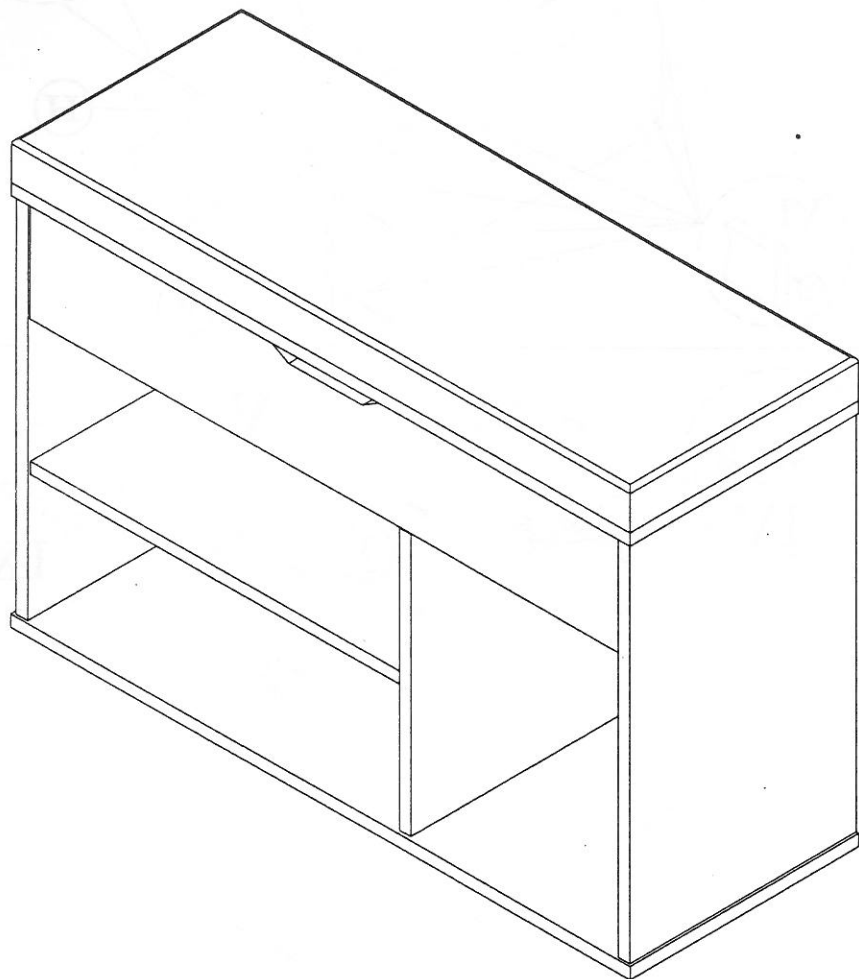
HARDWARE LIST			
NO	DESCRIPTION		QTY
I	JCBCW SCREW M6.3 x 50		15pcs
II	M4 ALLEN KEY		1pc

III	STICKER		8pcs
IV	HINGE (A) & SCREW M3.5 x 16		2sets
V	CUSHION		1pc
VI	PVC NAIL WITH PIN		6pcs

VII	M8 x 30 DOWEL		8pcs
VIII	NAIL		40pcs
IX	M3.5 x 30 CHIPBOARD SCREW		6pcs
X	Q-FIT		3sets

CAUTION:

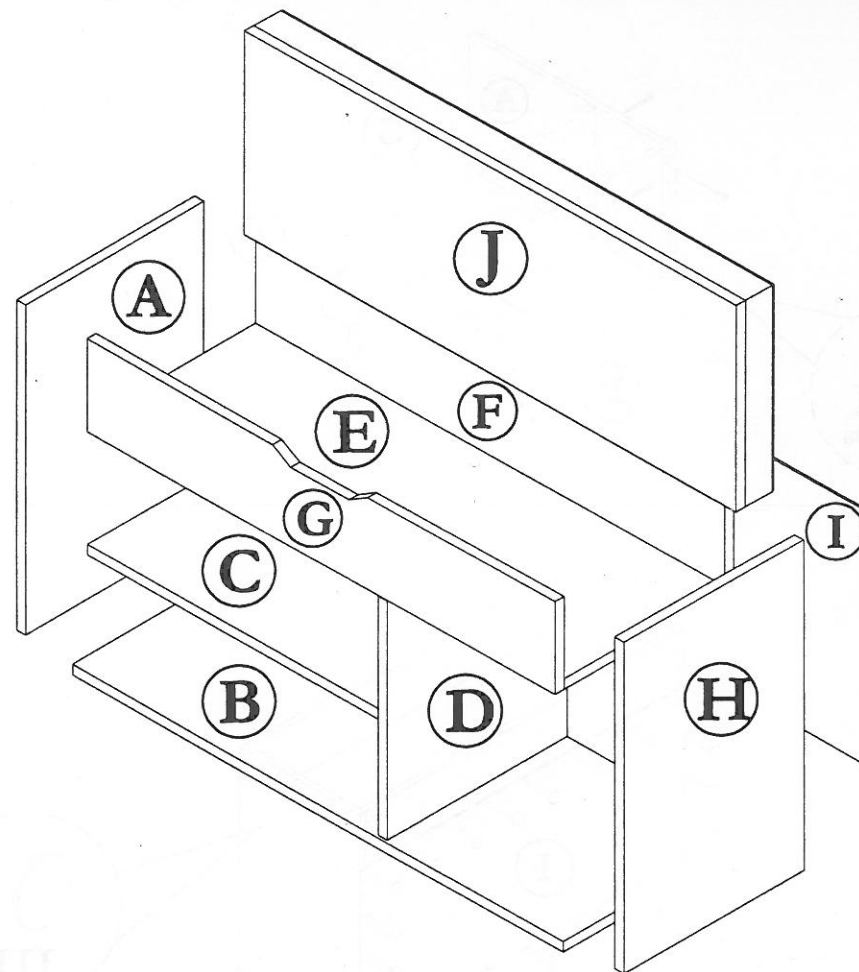
To clean use soft, dry cloth. Do not use detergent or chemicals
Avoid contact with water and direct sunlight.
To be assembled on a soft, dry, clean and smooth surface.



COMPLETE SET

ORDERING REPAIR PARTS

In order to obtain smooth and rapid service when ordering repair parts,
please give full attention to the following of PART NUMBER.



NO	DESCRIPTION	QTY
A	LEFT SIDE	01
B	LOWER SHELF	01
C	CENTRE SHELF	01
D	CENTRE VERTICAL	01
E	CENTRE SHELF	01

NO	DESCRIPTION	QTY
F	HORIZONTAL SHELF (Back)	01
G	HORIZONTAL SHELF (Front)	01
H	RIGHT SIDE	01
I	BACK	01
J	DOOR	01