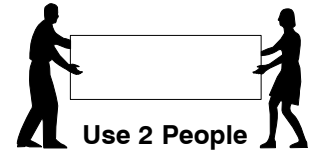
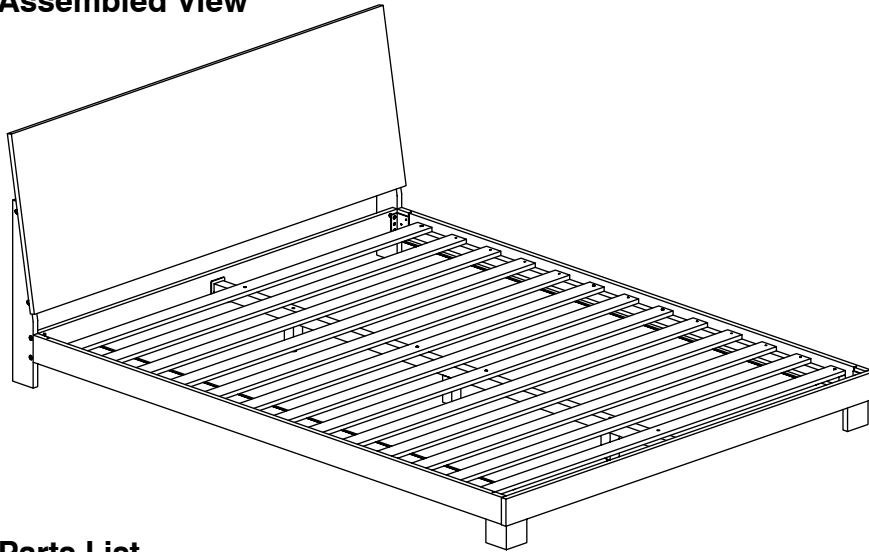


# 0050 Queen Bed

## Assembly Instructions

W11-0820

### 1 Assembled View



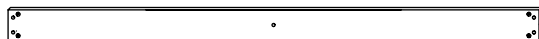
**Note:** Do not assemble using power tools. This can cause the bolts to be overtightened

### 2 Parts List

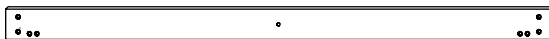
#### Parts in Box A:



**A** Headboard Panel x 1

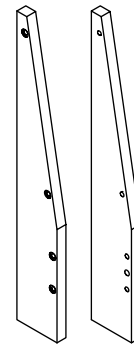


**B** Headboard Support x 1

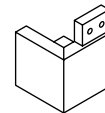


**C** Footboard Panel x 1

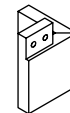
**F** Headboard Post (Left Hand) x 1



**G** Headboard Post (Right Hand) x 1

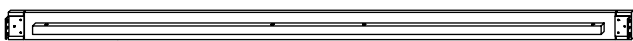


**H** Footboard Post (Left Hand) x 1

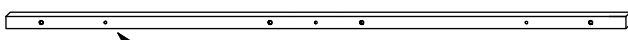


**J** Footboard Post (Right Hand) x 1

#### Parts in Box B:



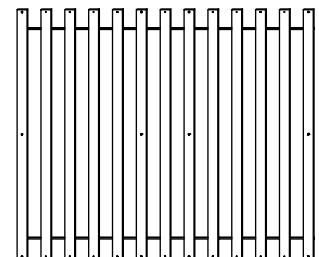
**D** Side Rail x 2



**E** Long Support x 1



**K** Support Leg x 3



**L** Set of Bed Slats x 1

# 0050 Queen Bed

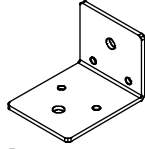
## Assembly Instructions

W11-0820

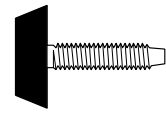
### 3 Hardware List



1 M4 Allen Key  
x 1



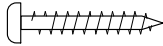
2 Center Rail  
Bracket x 2



3 Adjustable  
Foot x 3



4 Barrel Nut  
x 8



5 Wood Screw  
(M4 x 32mm)  
x 18



6 Wood Dowel  
(10 x 40mm)  
x 2



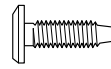
7 Spring  
Washer x 12



8 Flat  
Washer  
x 12



9 M6 x  
15mm JCB  
x 4



10 M6 x  
20mm JCB  
x 8



11 M6 x  
30mm JCB  
x 4



12 M6 x 40mm JCB  
x 12

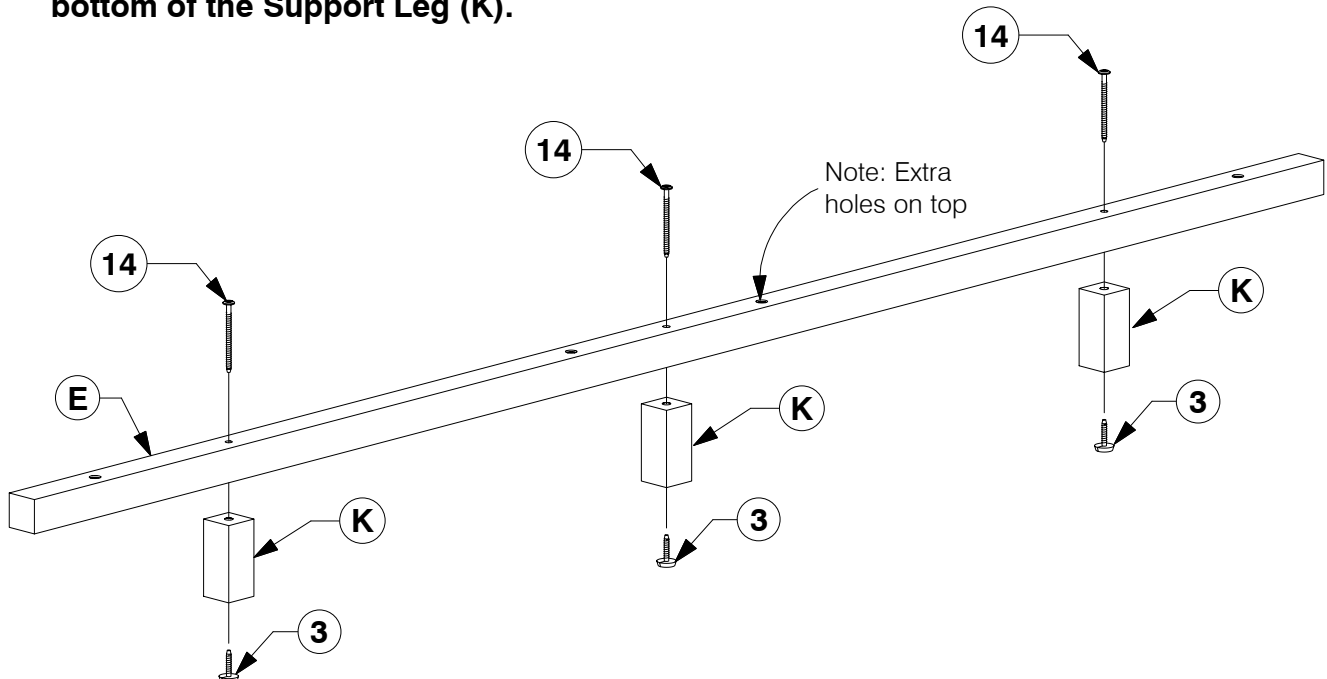


13 M6 x 70mm JCB  
x 8



14 M6 x 90mm JCB  
x 3

### 4 Fix the Adjustable foot to the bottom of the Support Leg (K).

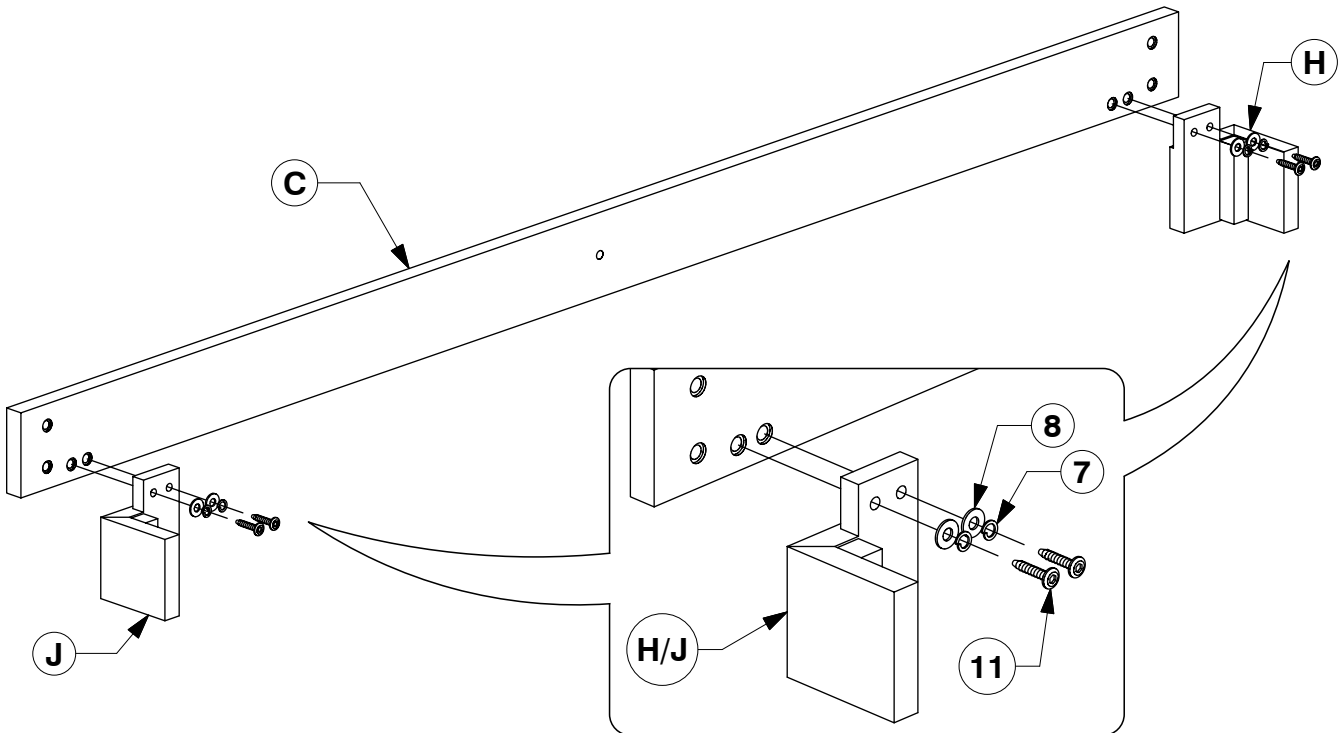


# 0050 Queen Bed

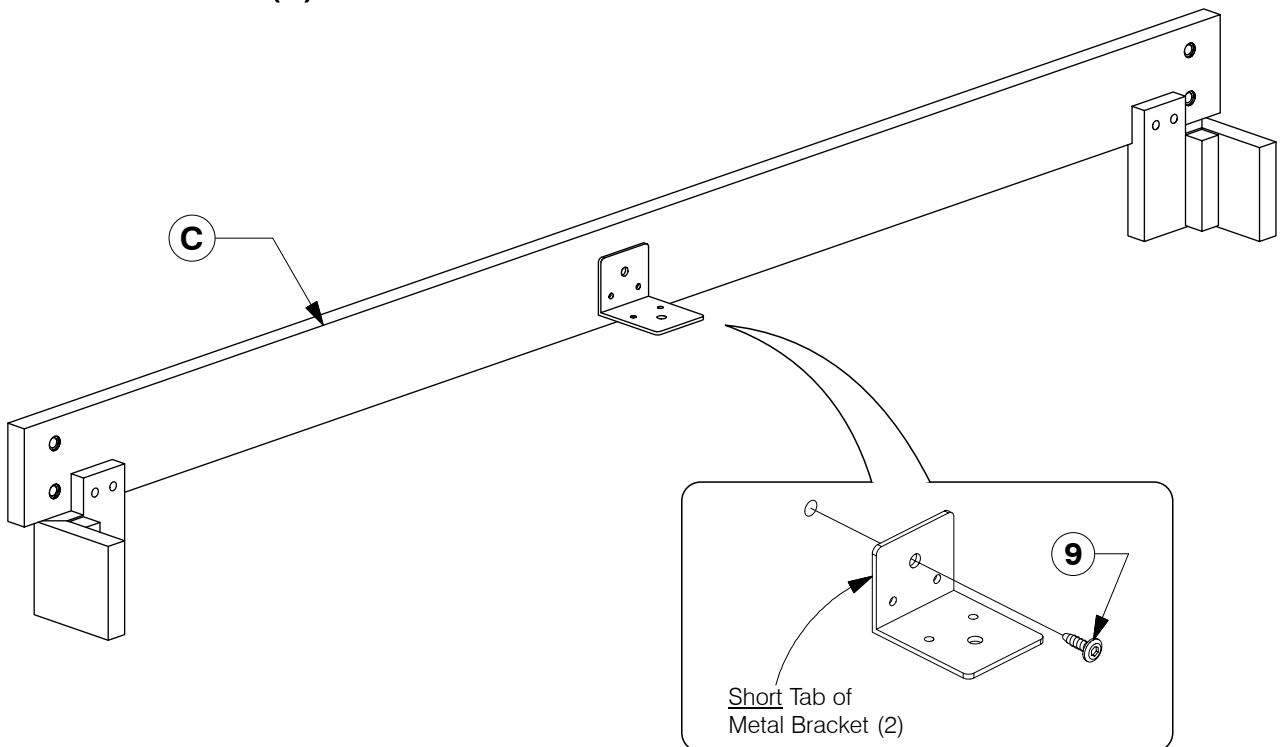
## Assembly Instructions

W11-0820

- 5** Attach the Footboard Post (H & J) to the Footboard Panel (C).



- 6** Fit the Center Rail Bracket to the Footboard Panel (C).

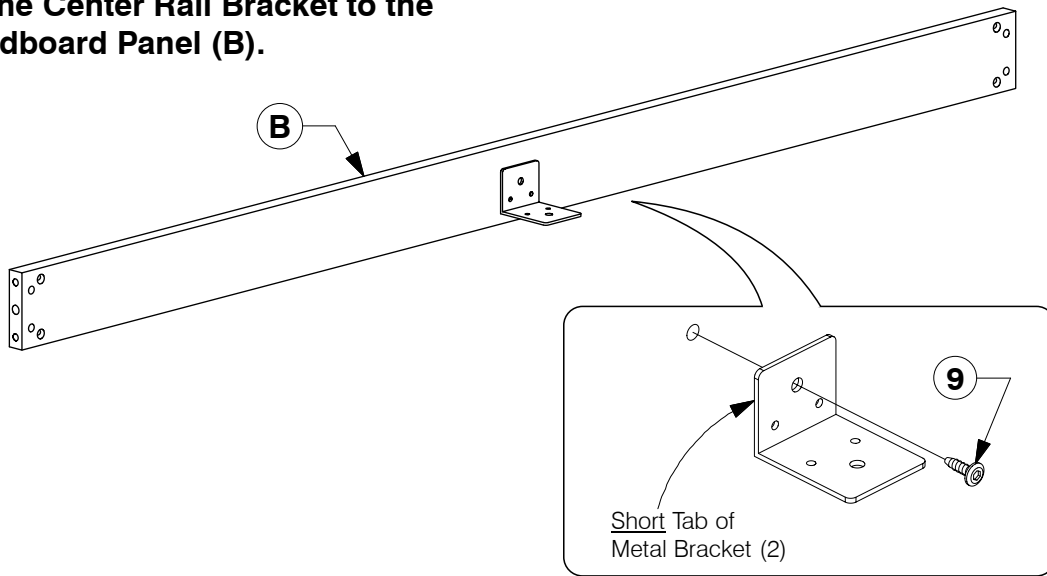


# 0050 Queen Bed

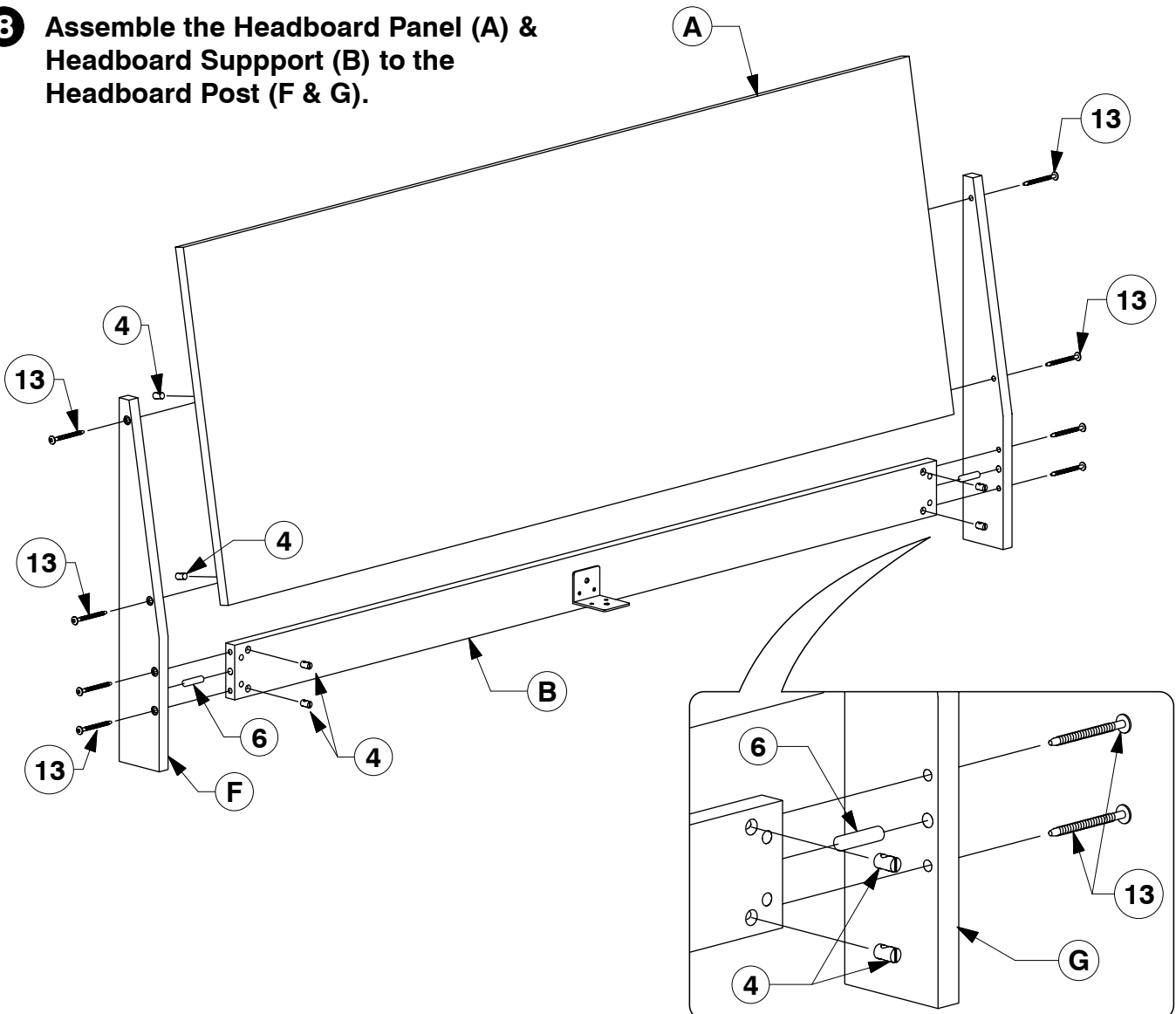
## Assembly Instructions

W11-0820

- 7** Fit the Center Rail Bracket to the Headboard Panel (B).



- 8** Assemble the Headboard Panel (A) & Headboard Support (B) to the Headboard Post (F & G).

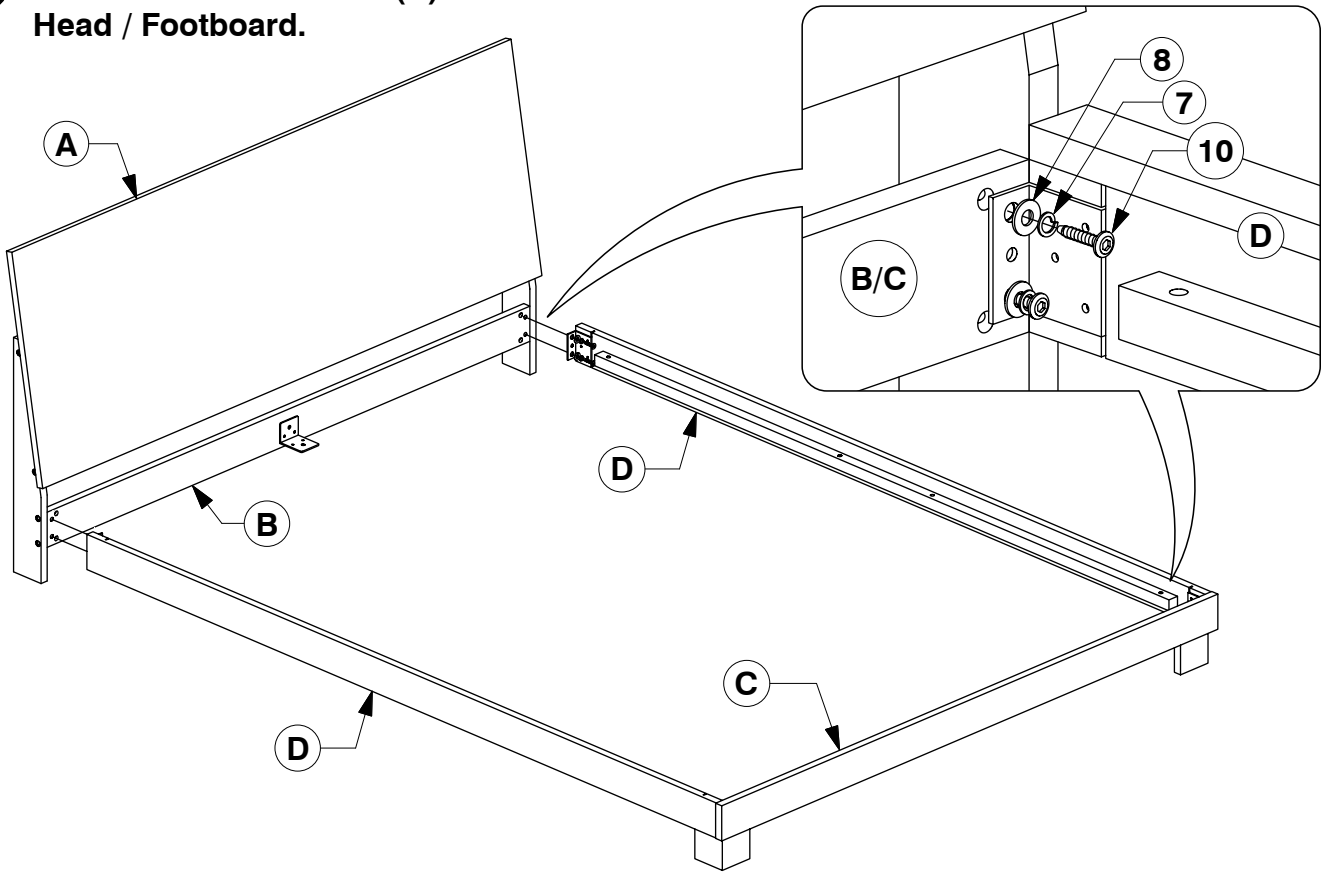


# 0050 Queen Bed

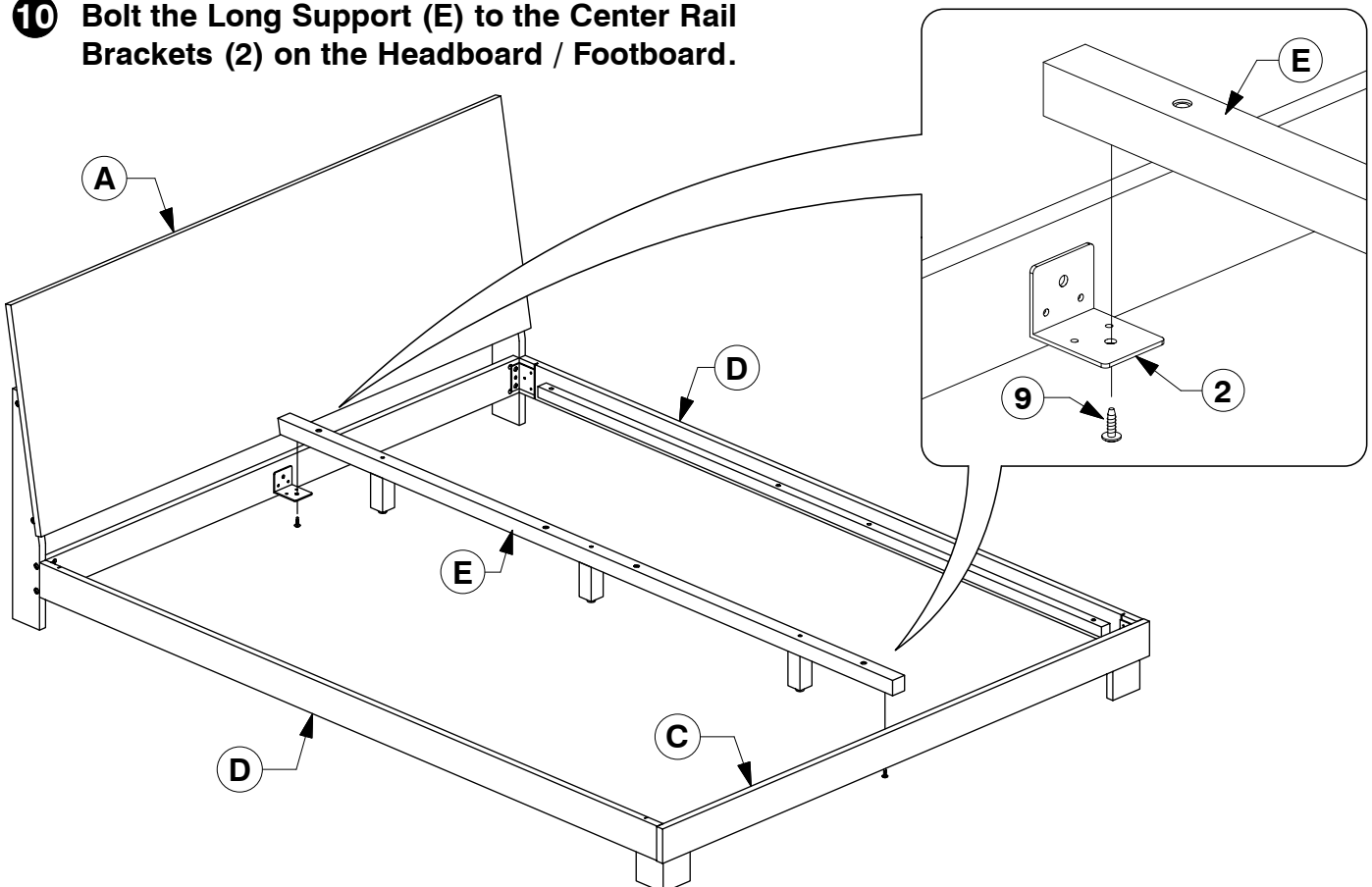
## Assembly Instructions

W11-0820

- 9 Assemble the Side Rail (D) to the Head / Footboard.**



- 10 Bolt the Long Support (E) to the Center Rail Brackets (2) on the Headboard / Footboard.**

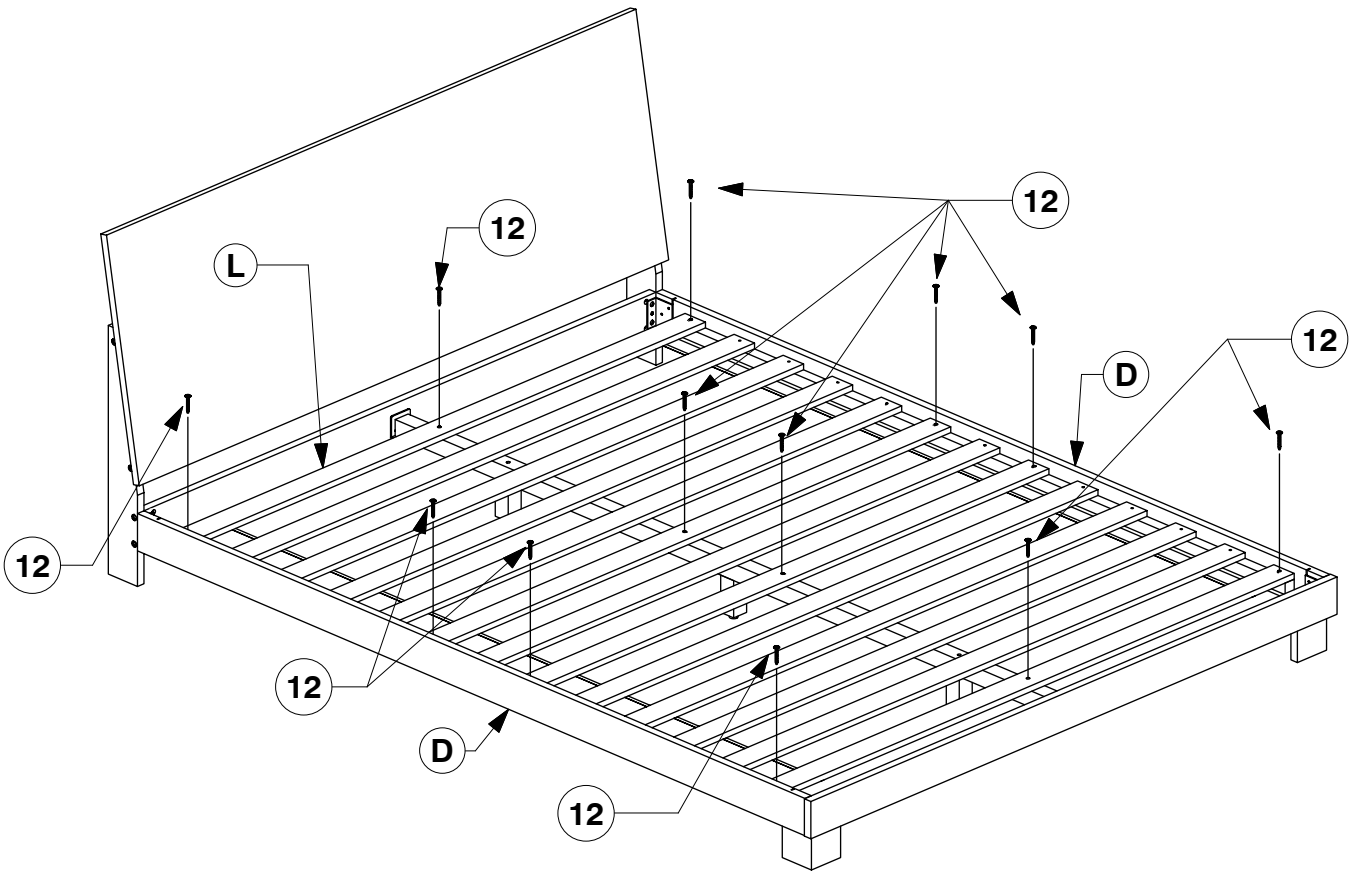


# 0050 Queen Bed

## Assembly Instructions

W11-0920

**11** Bolt the Bed Slats (L) to the Side Rail (D).



**12** Screw the Bed Slats (L) to the Side Rail (D).

