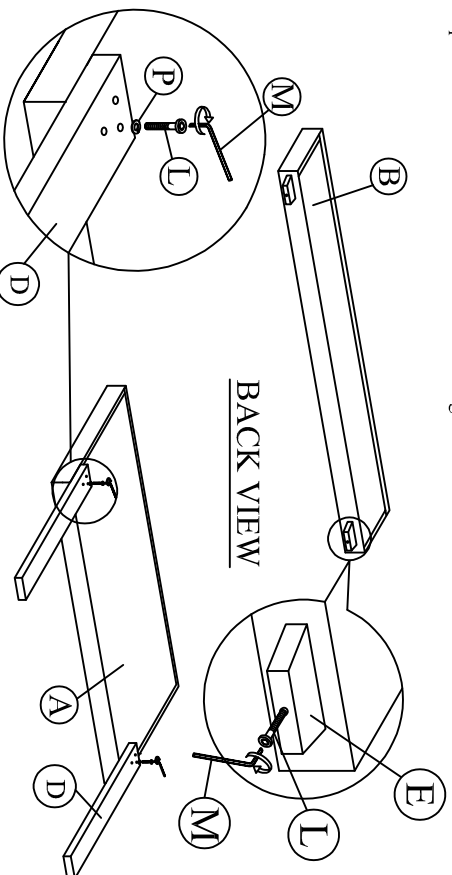


**Model : CF 9210-E  
(4'6" Full & 5' Queen)**

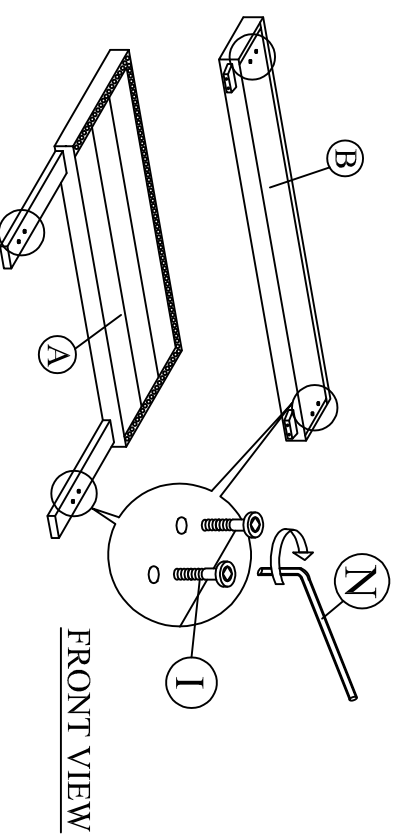
**Assembly Instruction**

A		1pc
B		1pc
C		4pcs
D		2pcs
E		2pcs
F		2pcs
G		4pcs
H		4pcs
I		8pcs
J		8pcs
K		4 pcs
L		8 pcs
M		1pc
N		1pc
O		8pcs
P		6pcs
Q		8pcs
R		4pcs

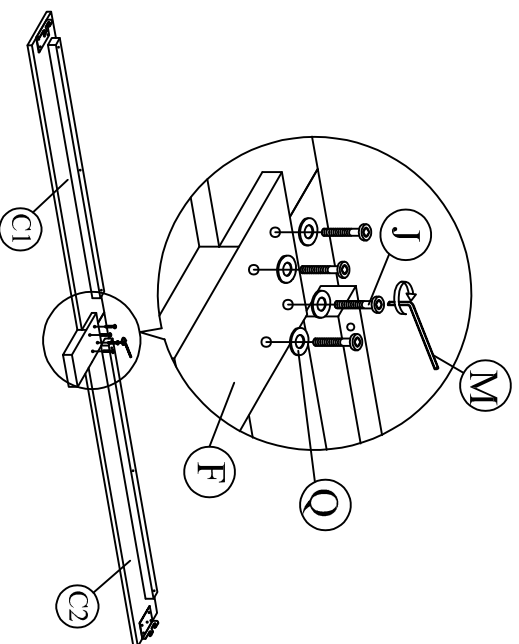
Step 1 : Fix the headboard and footboard with legs as shown.



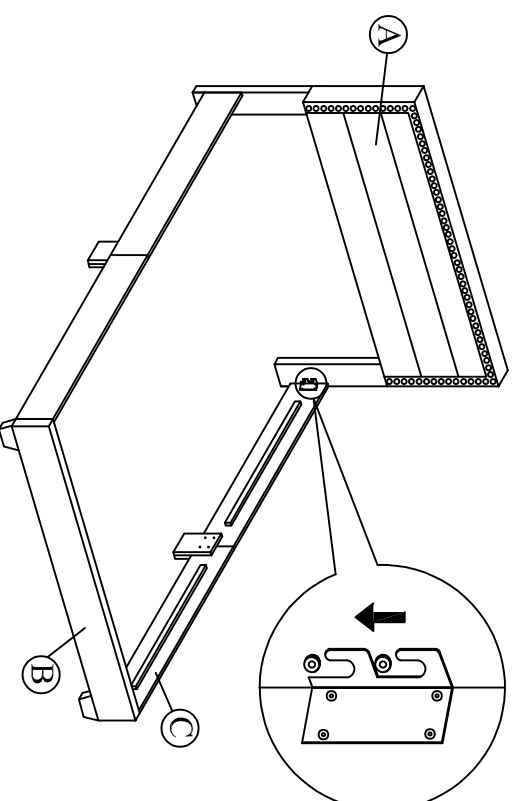
Step 2 : Attach the JCBB Bolt (I) to the headboard bracket and footboard bracket.



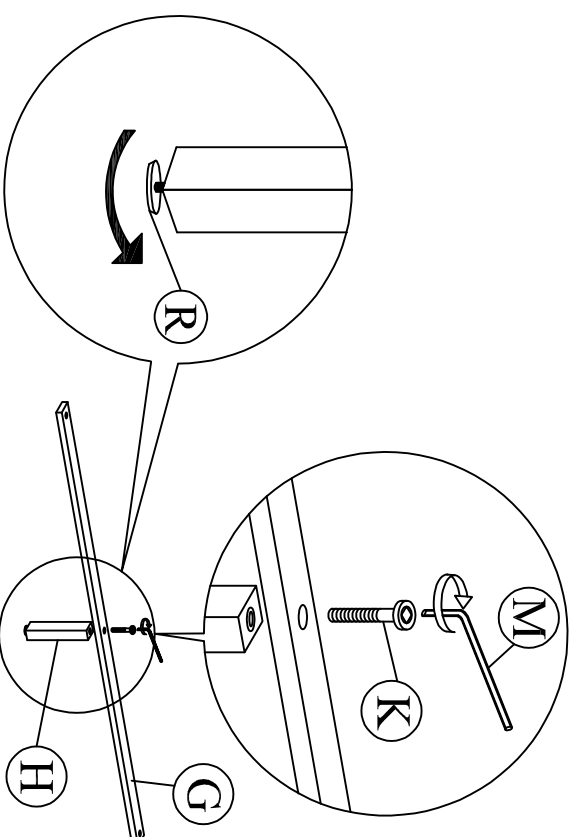
Step 3 : Attach the side rail leg (F) to the side rail (C).



Step 4 : Attach side rail (C) to headboard (A) and footboard (B) by pushing the bracket down to fit it.



Step 5 : Attach the support legs (H) to the slats (G).



**ATTENTION:**

Please keep the adjuster around 5 to 8 mm distant away from the floor.

Step 6 : Tighten the 4 Corner with Allen Key (N). Install the bed slats to side rail. Tighten the slats with CSK screw. The distance of the slats should be sufficient to obtain desirable bed stability.

