




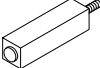


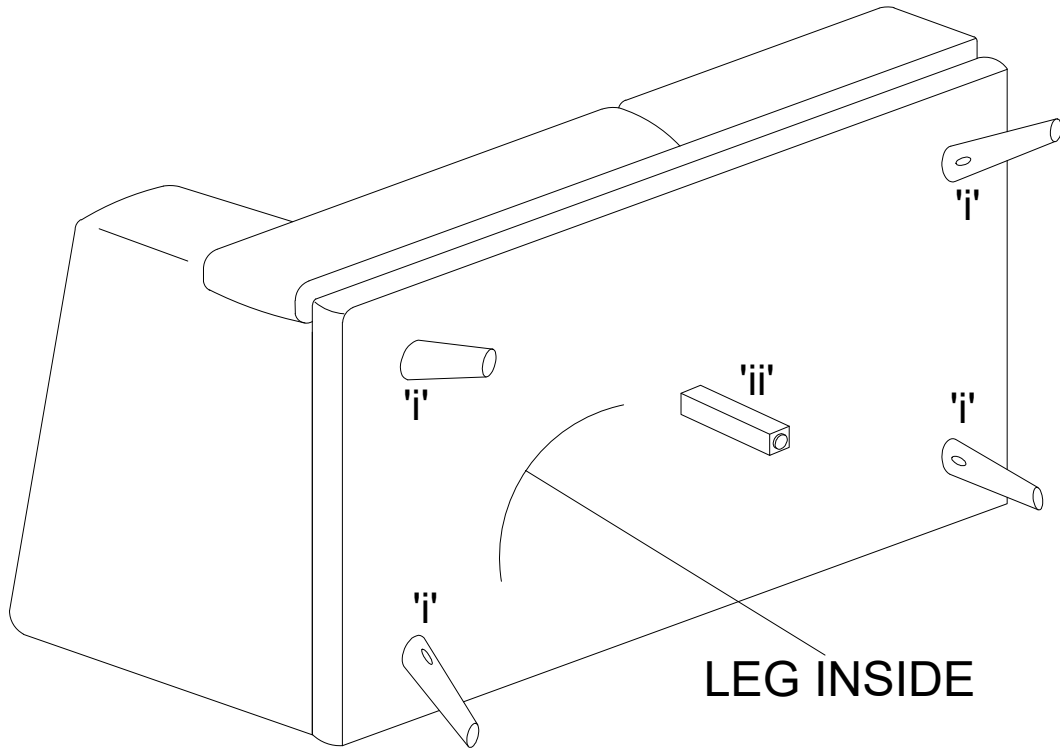
ASSEMBLY INSTRUCTIONS

MODEL : RDS S0017L - 2.5EL

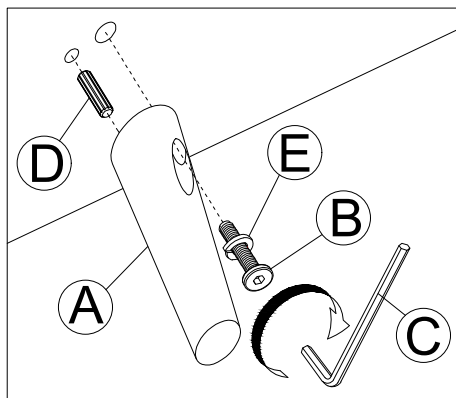
NO.	HARDWARE LIST	QTY
A	LEG 	4 PCS
B	JCBB BOLT M8 x 60mm 	4 PCS
C	ALLEN KEY M5 	1 PC
D	WOOD DOWEL M8 x 40mm 	4 PCS
E	SPRING WASHER M8 	4 PCS
F	CENTER LEG 	1 PC



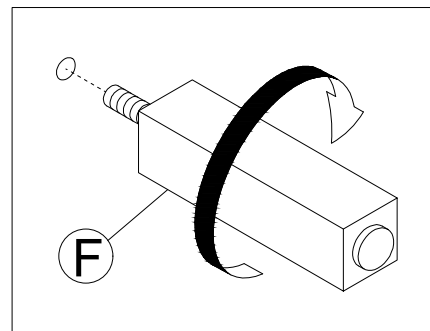
FULLY ASSEMBLY



LEG INSIDE








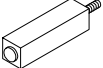
DETAIL 'i'

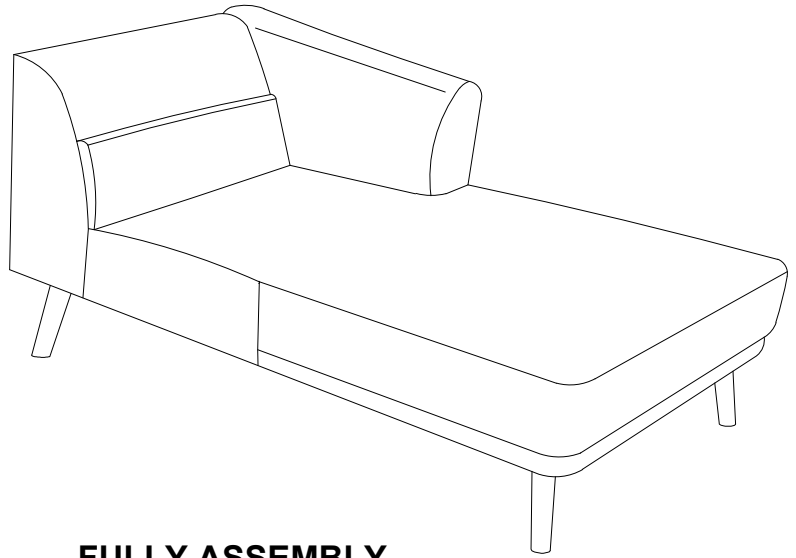


DETAIL 'ii'

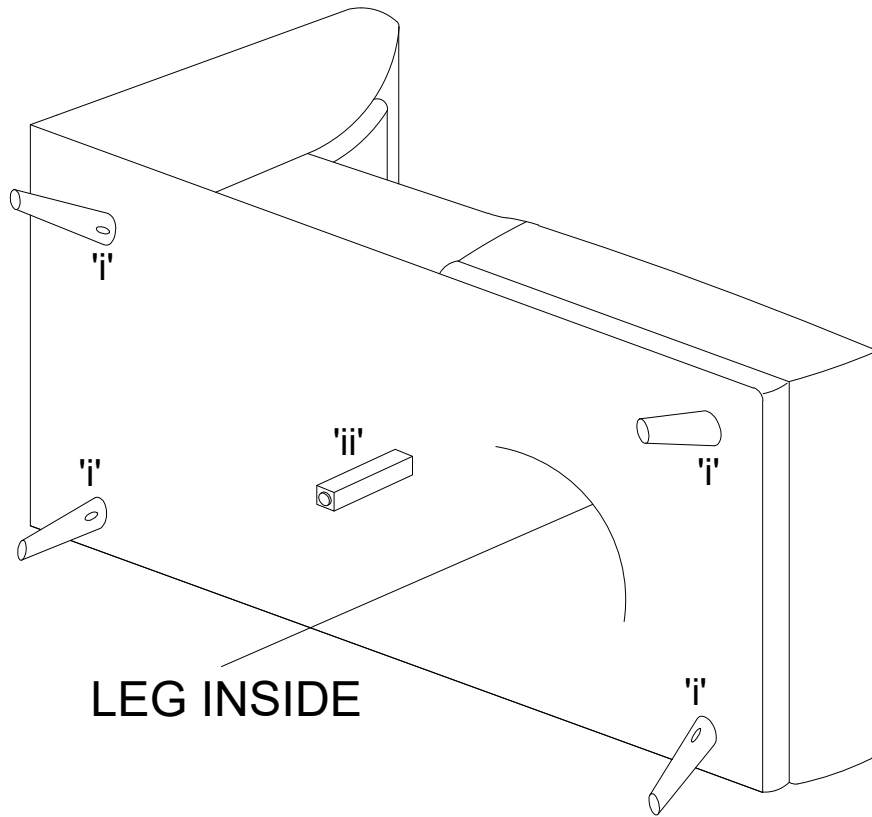
ASSEMBLY INSTRUCTIONS

MODEL : RDS S0017L - 1.5CR

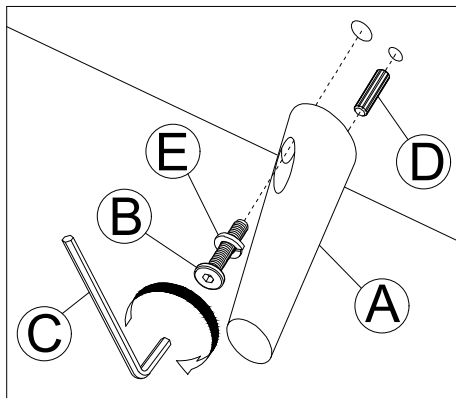
NO.	HARDWARE LIST	QTY
A	LEG 	4 PCS
B	JCBB BOLT M8 x 60mm 	4 PCS
C	ALLEN KEY M5 	1 PC
D	WOOD DOWEL M8 x 40mm 	4 PCS
E	SPRING WASHER M8 	4 PCS
F	CENTER LEG 	1 PC



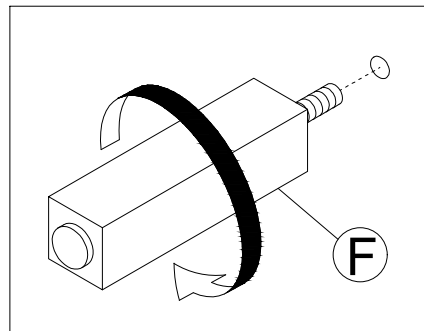
FULLY ASSEMBLY



LEG INSIDE



DETAIL 'i'



DETAIL 'ii'