
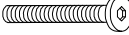



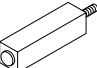
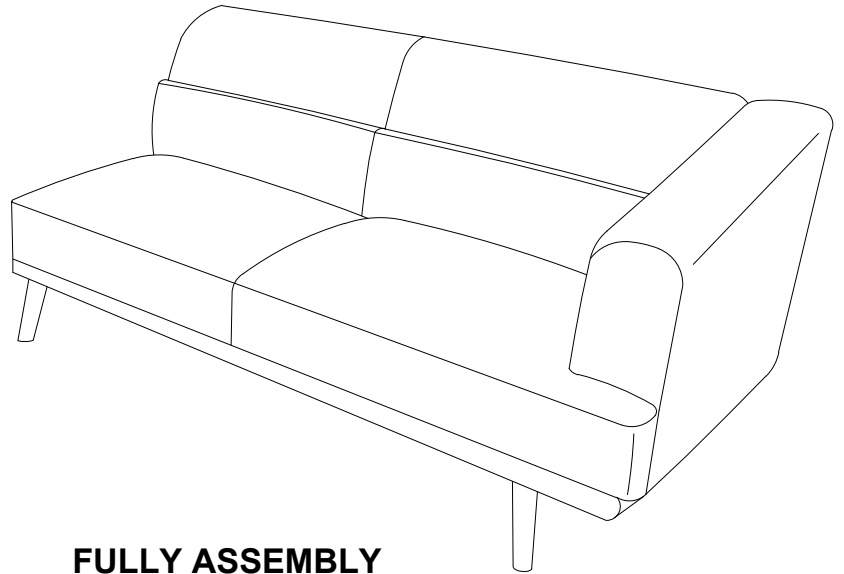


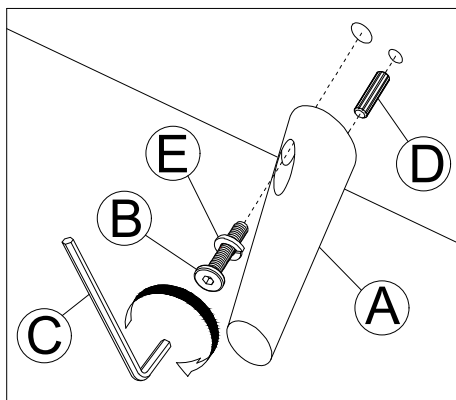
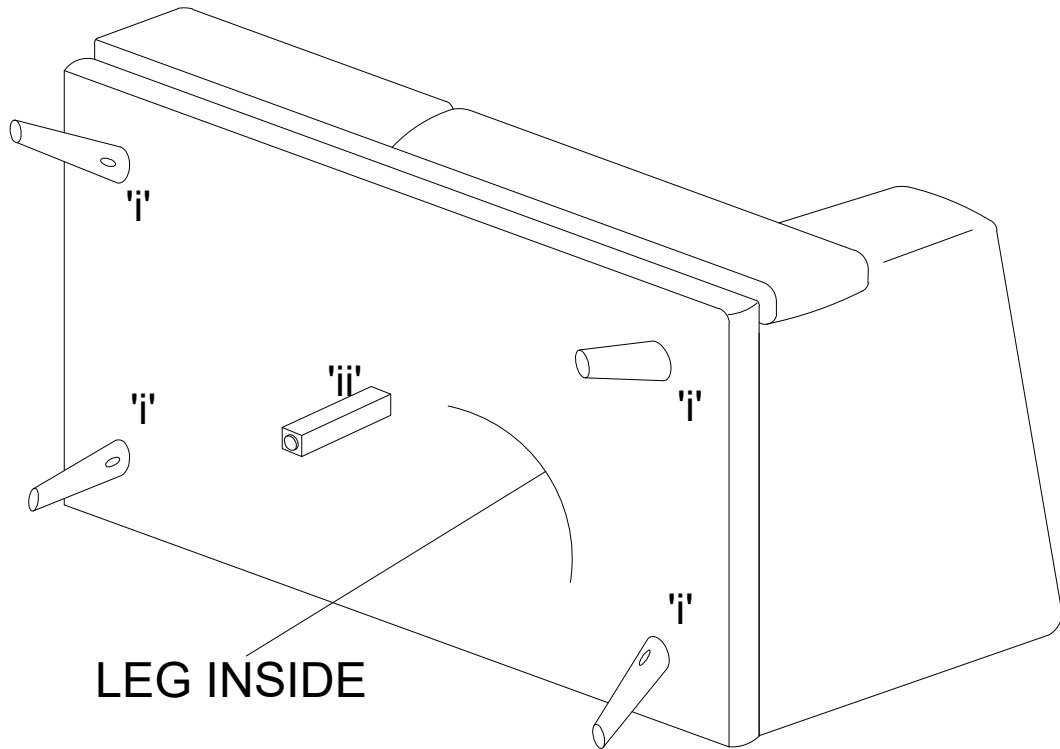
ASSEMBLY INSTRUCTIONS

MODEL : RDS S0017L - 2.5ER

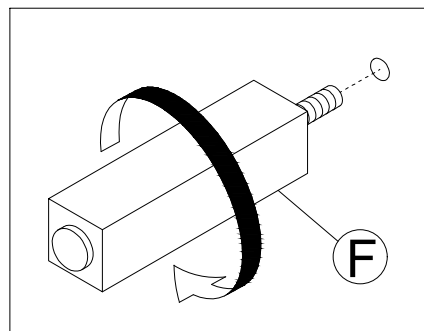
| NO. | HARDWARE LIST | QTY |
|-----|---|-------|
| A | LEG  | 4 PCS |
| B | JCBB BOLT M8 x 60mm  | 4 PCS |
| C | ALLEN KEY M5  | 1 PC |
| D | WOOD DOWEL M8 x 40mm  | 4 PCS |
| E | SPRING WASHER M8  | 4 PCS |
| F | CENTER LEG  | 1 PC |



FULLY ASSEMBLY








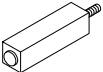
DETAIL 'i'

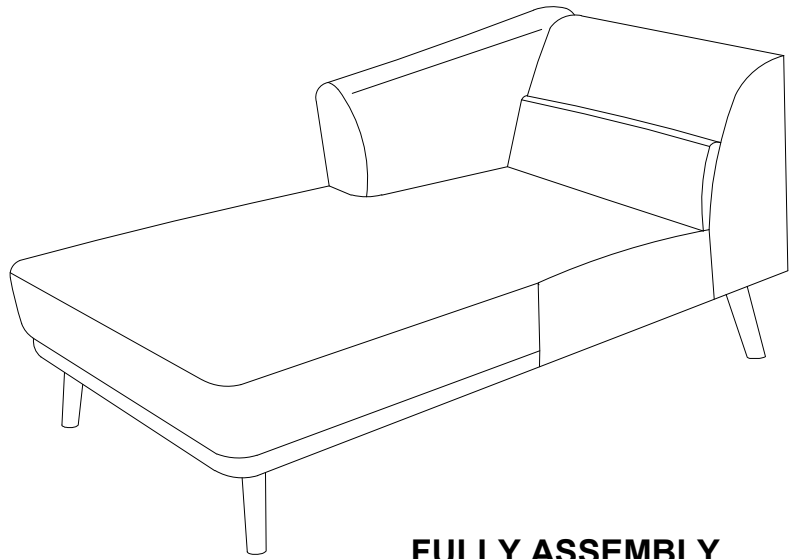


DETAIL 'ii'

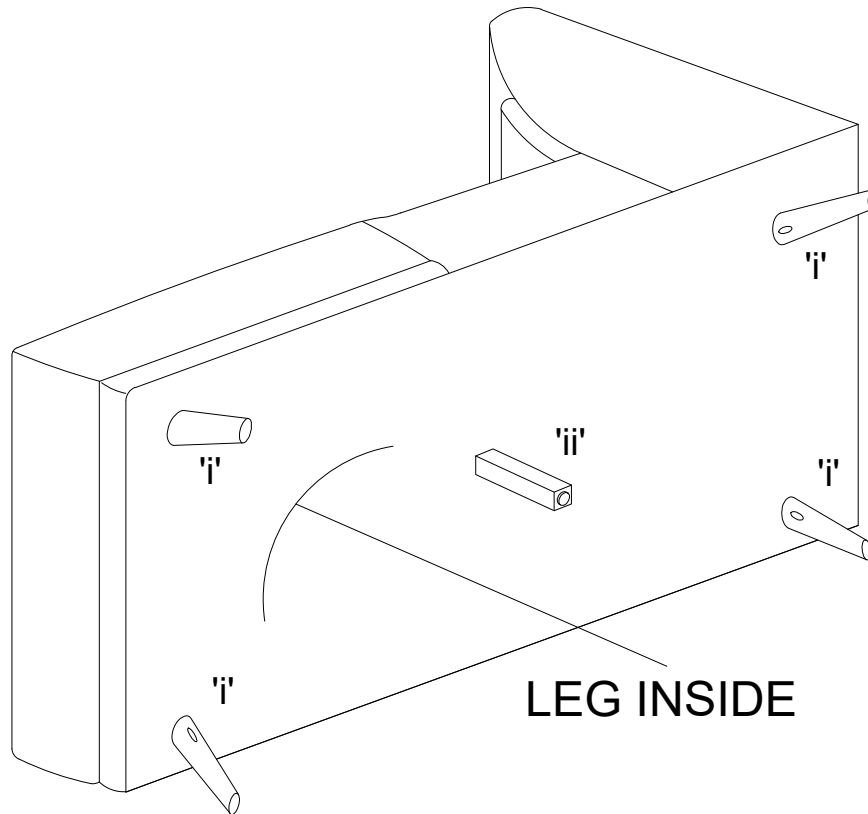
ASSEMBLY INSTRUCTIONS

MODEL : RDS S0017L - 1.5CL

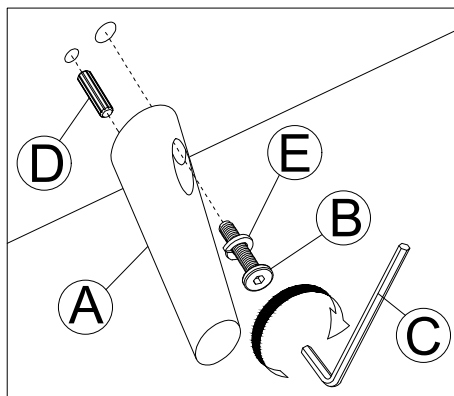
| NO. | HARDWARE LIST | QTY |
|-----|---|-------|
| A | LEG  | 4 PCS |
| B | JCBB BOLT M8 x 60mm  | 4 PCS |
| C | ALLEN KEY M5  | 1 PC |
| D | WOOD DOWEL M8 x 40mm  | 4 PCS |
| E | SPRING WASHER M8  | 4 PCS |
| F | CENTER LEG  | 1 PC |



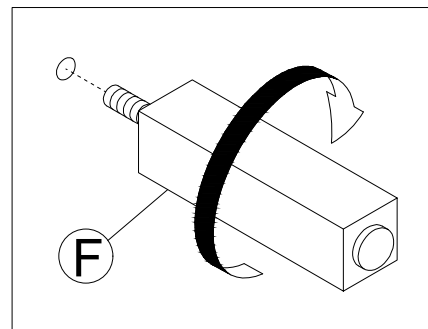
FULLY ASSEMBLY



LEG INSIDE



DETAIL 'i'



DETAIL 'ii'