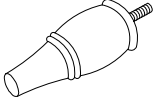

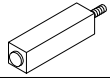
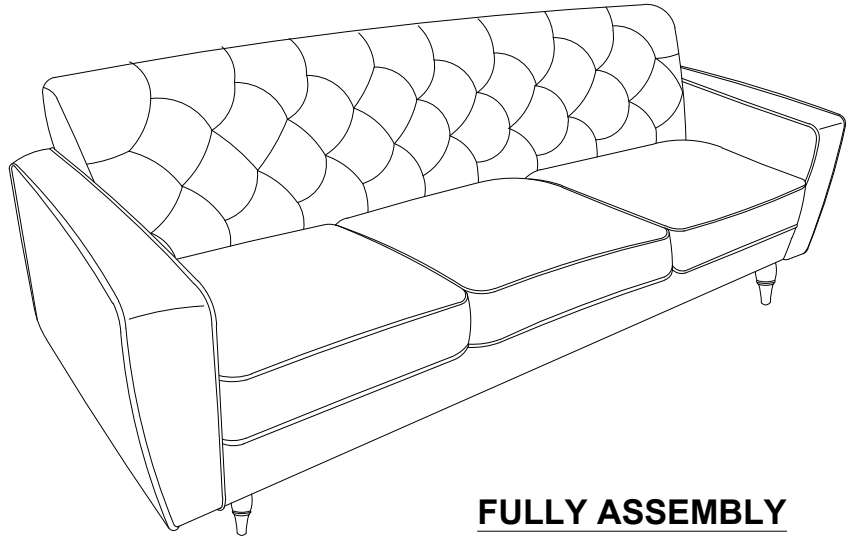


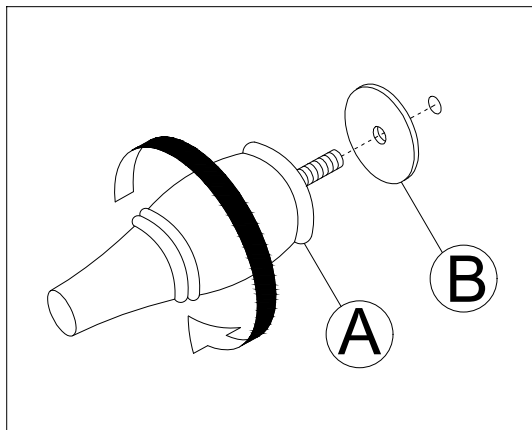
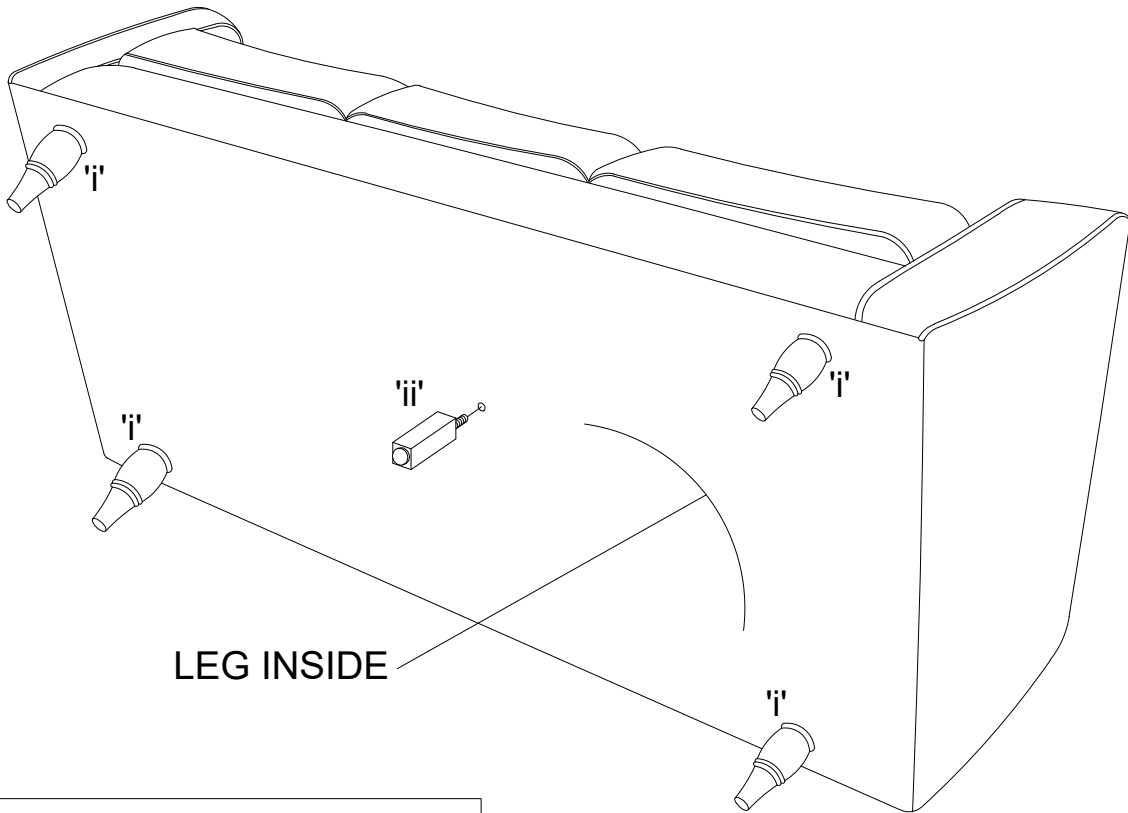
# ASSEMBLY INSTRUCTIONS

MODEL : RDS S0016-3S

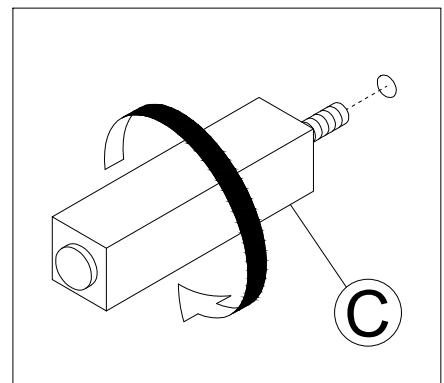
| NO. | HARDWARE LIST  | QTY   |
|-----|--|-------|
| A   | LEG             | 4 PCS |
| B   | PLASTIC WASHER  | 4 PCS |
| C   | CENTER LEG      | 1 PC  |



**FULLY ASSEMBLY**



DETAIL 'i'



DETAIL 'ii'