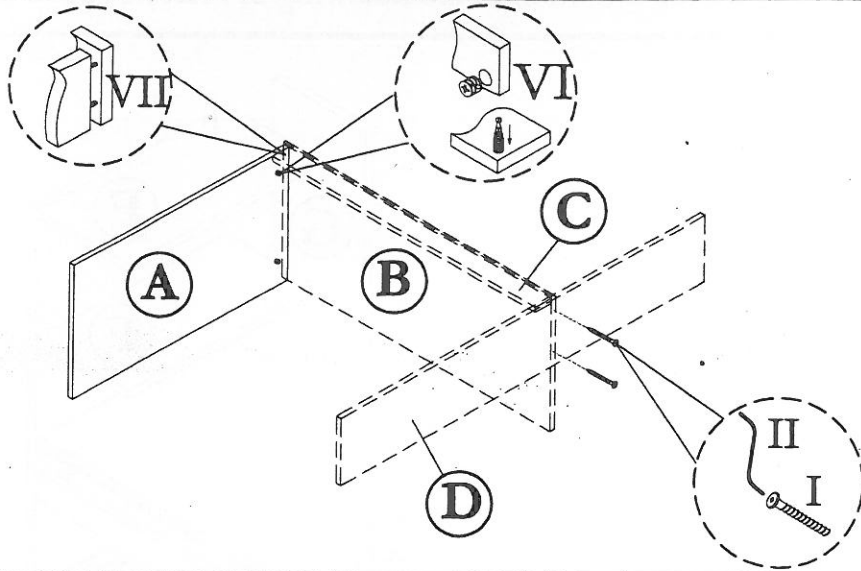


ASSEMBLY INSTRUCTION

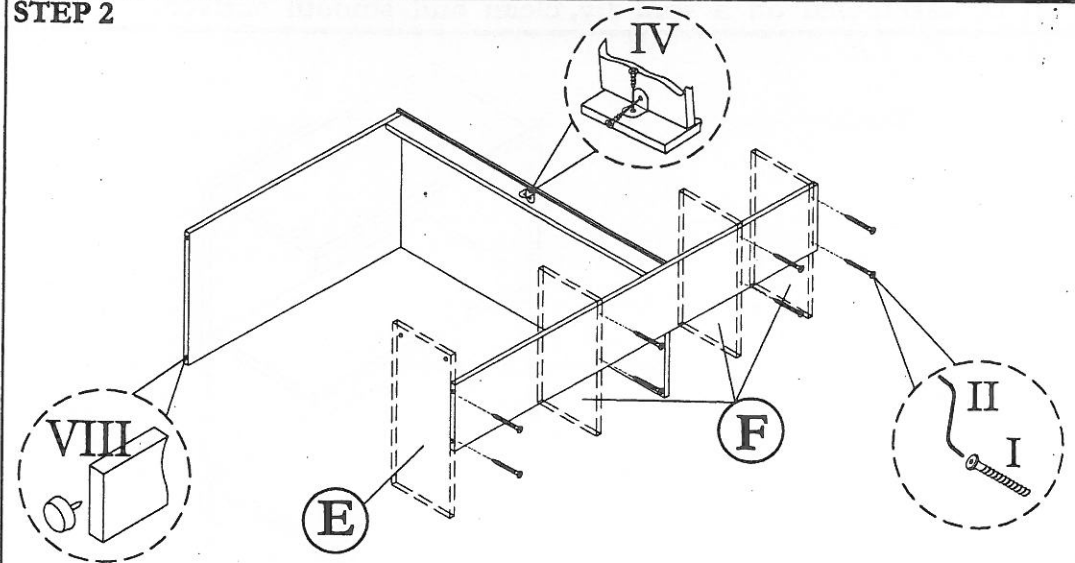
MODEL: CT 2031 / COMPUTER TABLE

Before you begin, please follow assembly instruction carefully.
Then follow them step by step.

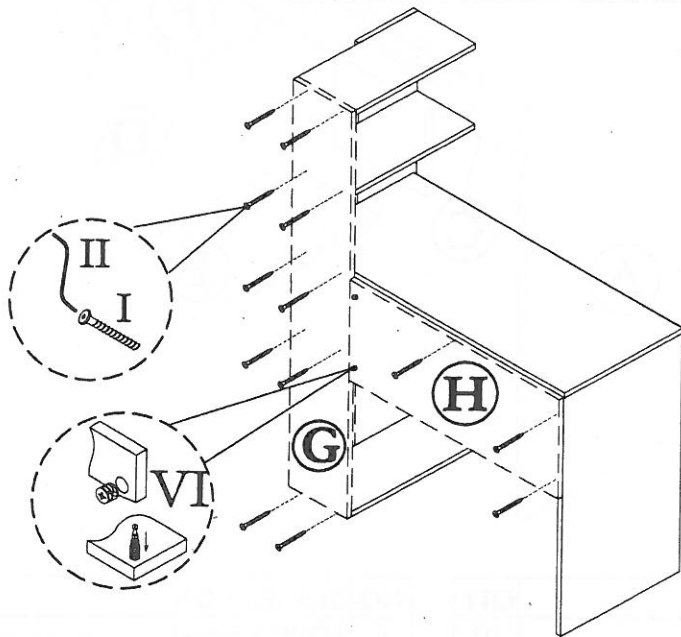
STEP 1



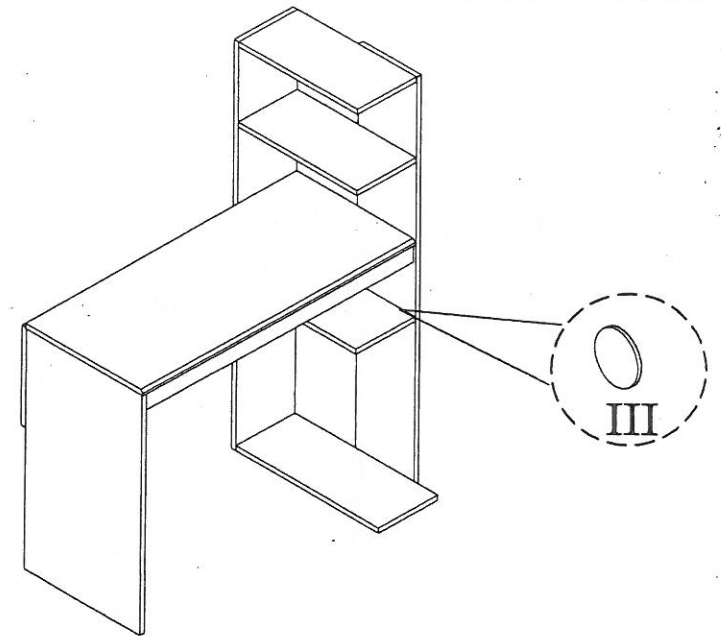
STEP 2



STEP 3



STEP 4



HARDWARE LIST			
NO	DESCRIPTION		QTY
I	JCBCW SCREW M6.3 x 50		23pcs
II	M4 ALLEN KEY		1pc

III	STICKER		10pcs
IV	L BRACKET & SCREW M3.5 x 12		1sets
V	PVC NAIL WITH PIN		8pcs
VI	Q-FIT		4sets

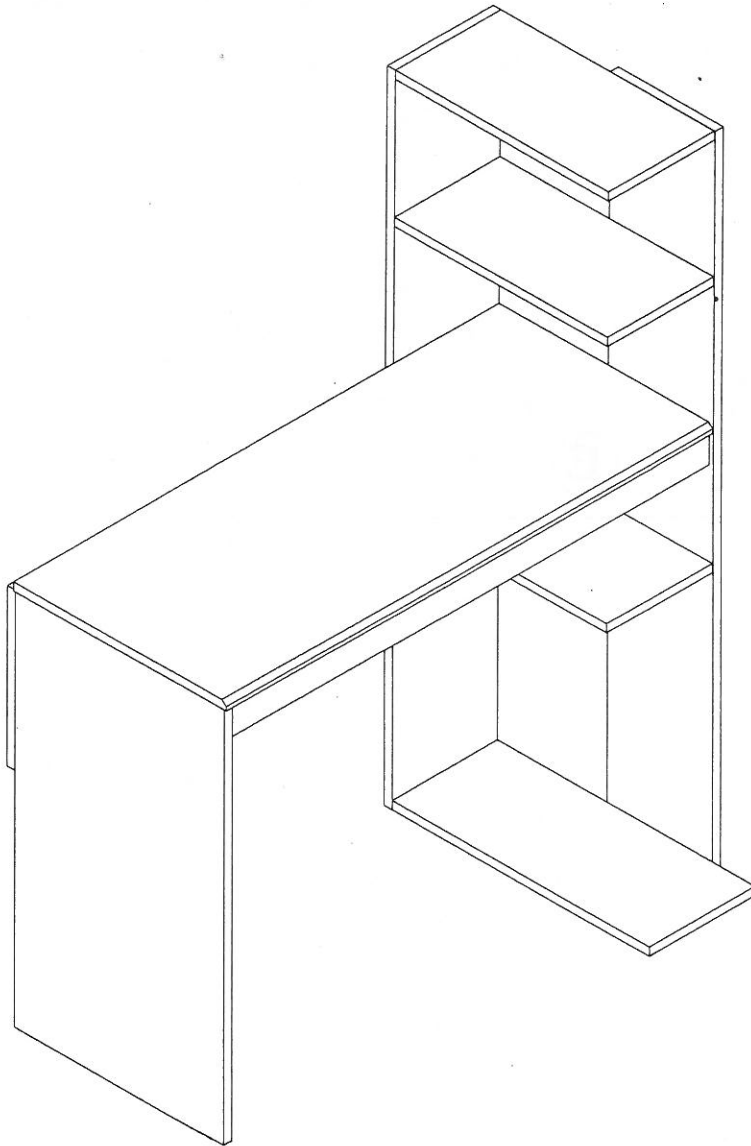
VII	M8 x 30 WOOD DOWEL		4pcs

CAUTION:

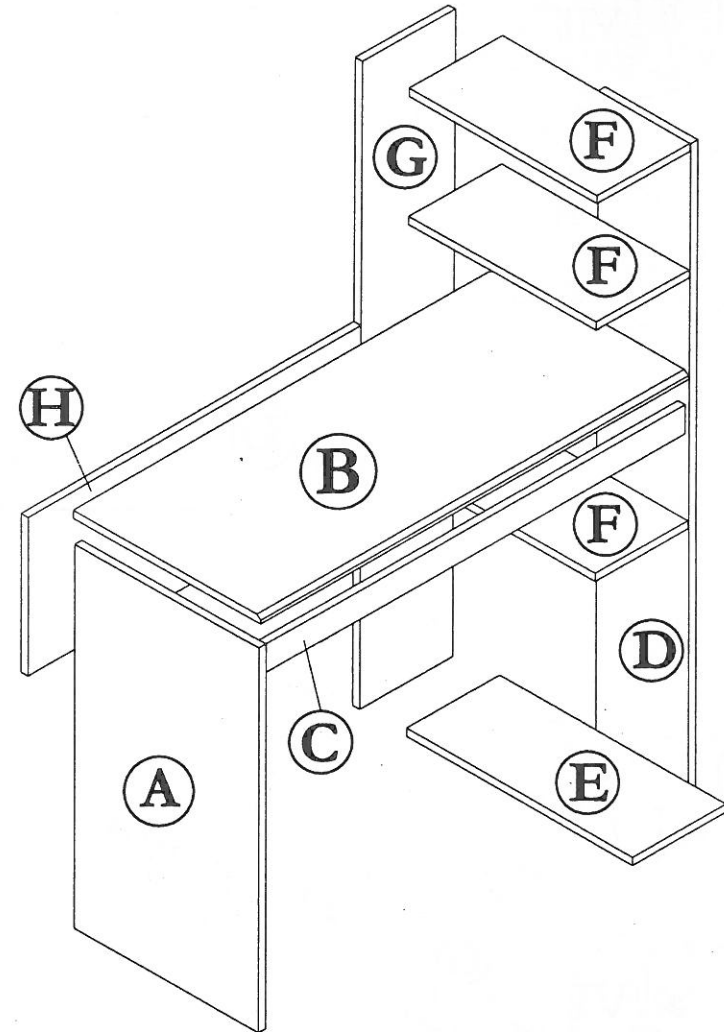
To clean use soft, dry cloth. Do not use detergent or chemicals
Avoid contact with water and direct sunlight.
To be assembled on a soft, dry, clean and smooth surface.

ORDERING REPAIR PARTS

In order to obtain smooth and rapid service when ordering repair parts,
please give full attention to the following of PART NUMBER.



COMPLETE SET



NO	DESCRIPTION	QTY
A	LEFT SIDE	01
B	TOP	01
C	TOP SUPPORT	01
D	RIGHT SIDE	01

NO	DESCRIPTION	QTY
E	LOWER SHELF	01
F	SHELF	03
G	BACK SUPPORT	01
H	BACK SUPPORT	01