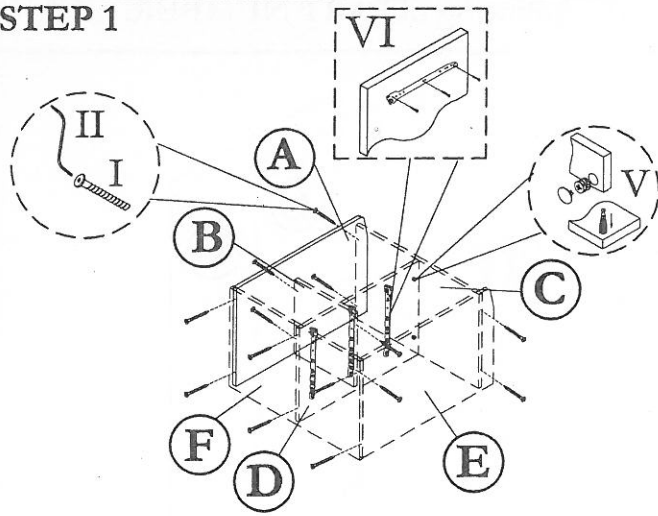


# ASSEMBLY INSTRUCTION

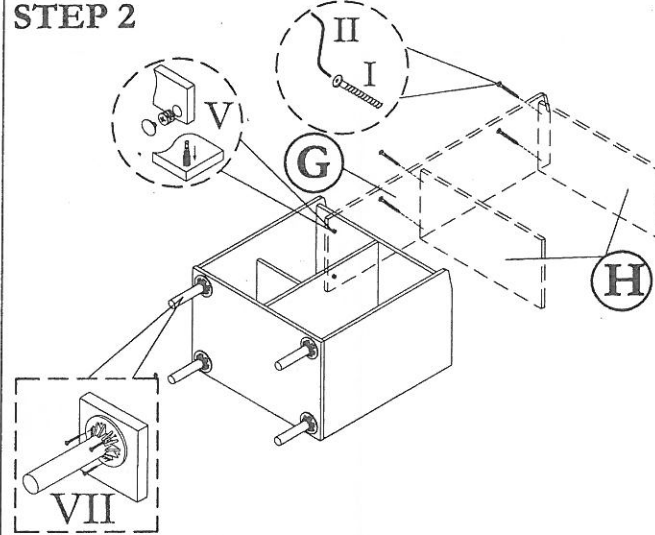
## MODEL : 8696 / KITCHEN CABINET

Before you begin, please follow assembly instruction carefully.  
Then follow them step by step.

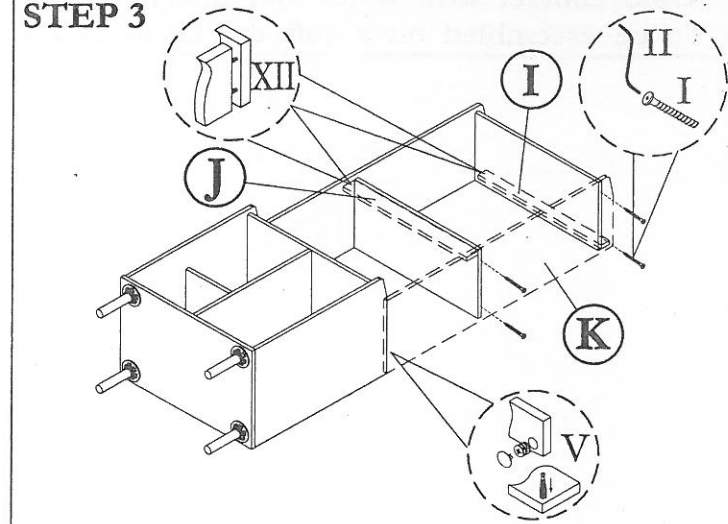
### STEP 1



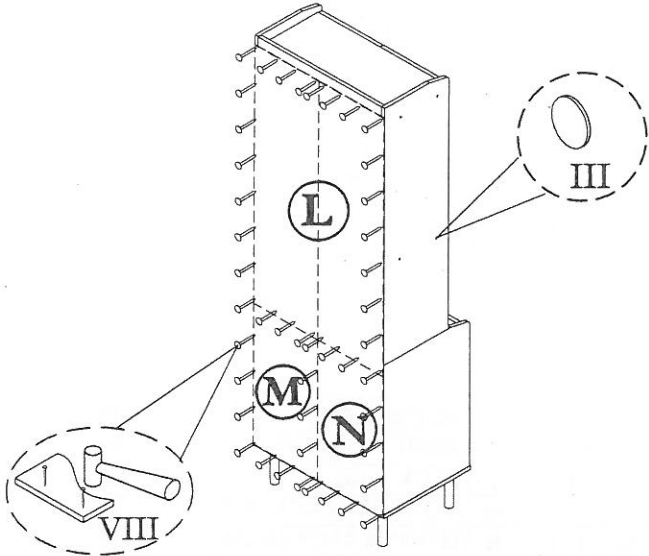
### STEP 2



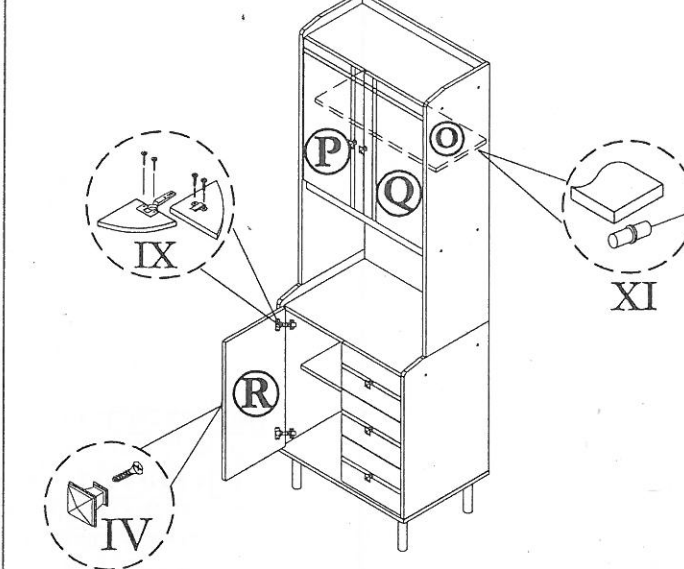
### STEP 3



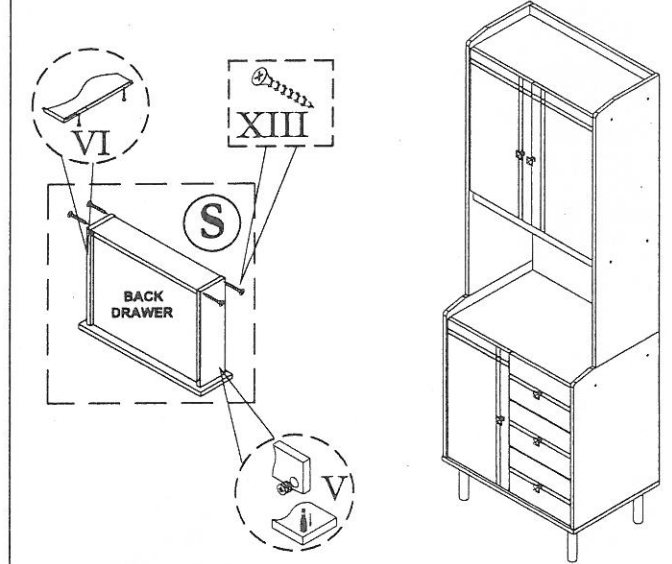
### STEP 4



### STEP 5



### STEP 6



#### HARDWARE LIST

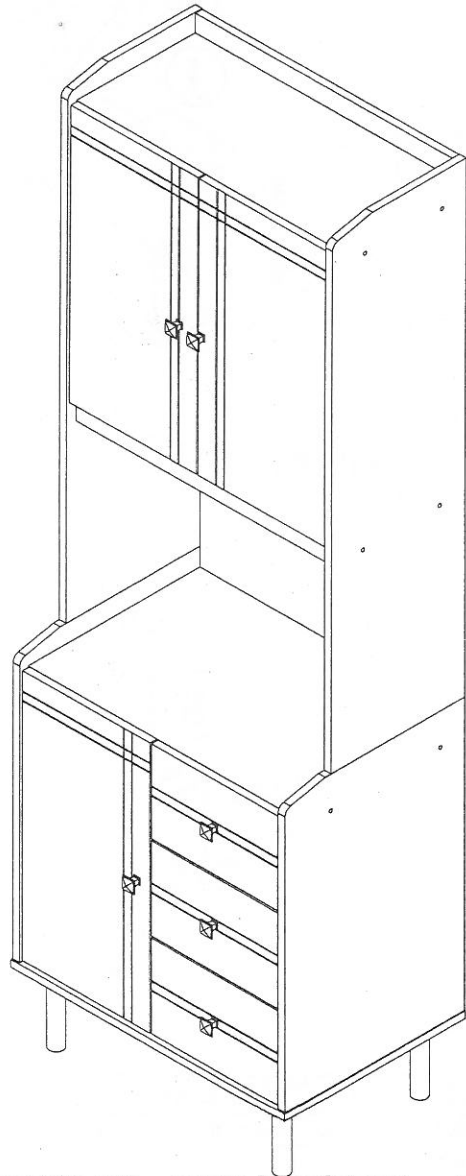
NO	DESCRIPTION	QTY
I	JCBCW SCREW M6.3 x 50	22pcs
II	M4 ALLEN KEY	1pc
III	STICKER	14pcs
IV	HANDLE & SCREW M4 x 22	6sets

V	Q-FIT	18sets
VI	12" DRAWER SLIDER & SCREW M3.5 x 16	3sets
VII	150MM P.LEG & SCREW M3.5 x 16	4sets
VIII	NAIL	60pcs
IX	HINGE (C) & SCREW M3.5 x 16	6sets
X	M8 x 32 CHIPBOARD SCREW	12pcs

XI	SHELF SUPPORT	4pcs
XII	M8 x 30 WOOD DOWEL	6pcs

**CAUTION:**

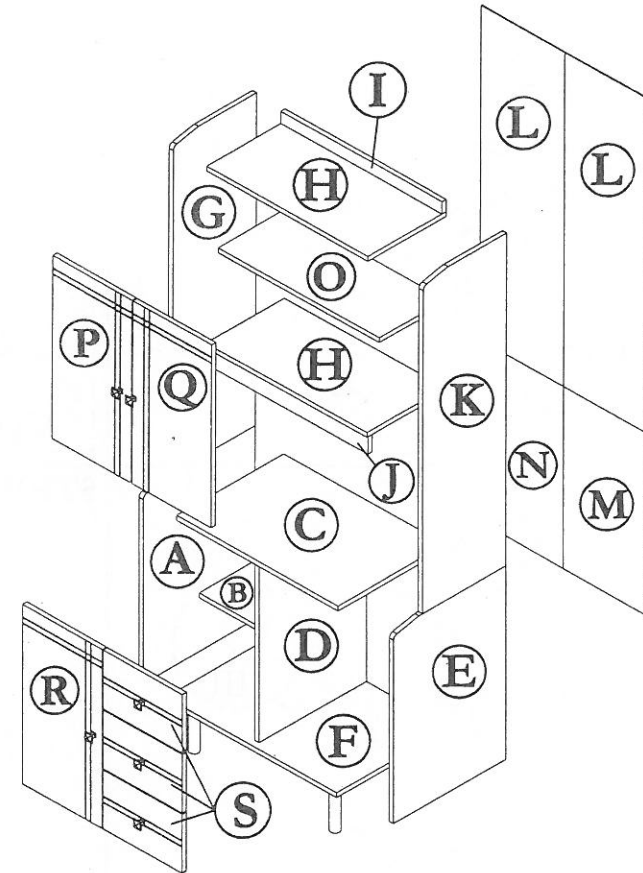
To clean use soft, dry cloth. Do not use detergent or chemicals  
Avoid contact with water and direct sunlight.  
To be assembled on a soft, dry, clean and smooth surface.



**COMPLETE SET**

**ORDERING REPAIR PARTS**

In order to obtain smooth and rapid service when ordering repair parts,  
please give full attention to the following of PART NUMBER.



NO	DESCRIPTION	QTY
A	LEFT SIDE (Bottom)	01
B	CENTRE SHELF (Bottom)	01
C	UPPER SHELF (Bottom)	01
D	CENTRE VERTICAL (Bottom)	01
E	RIGHT SIDE (Bottom)	01
F	LOWEST SHELF	01
G	LEFT SIDE (Top)	01
H	SHELF (Top)	02
I	BACK SUPPORT	01
J	SHELF SUPPORT (Top)	01

NO	DESCRIPTION	QTY
K	RIGHT SIDE (Top)	01
L	BACK (Top)	02
M	RIGHT SIDE BACK (Bottom)	01
N	LEFT SIDE BACK (Bottom)	01
O	MOVABLE SHELF	01
P	LEFT SIDE DOOR (Top)	01
Q	RIGHT SIDE DOOR (Top)	01
R	DOOR (Bottom)	01
S	DRAWER FACE	03