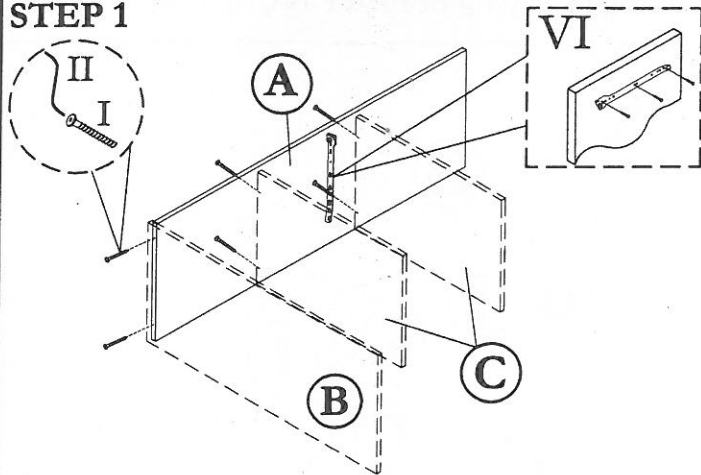


# ASSEMBLY INSTRUCTION

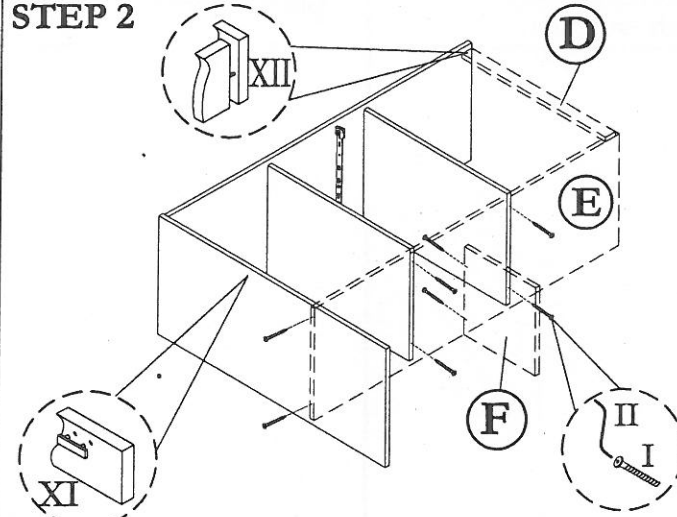
## MODEL : 8694 / KITCHEN CABINET

Before you begin, please follow assembly instruction carefully.  
Then follow them step by step.

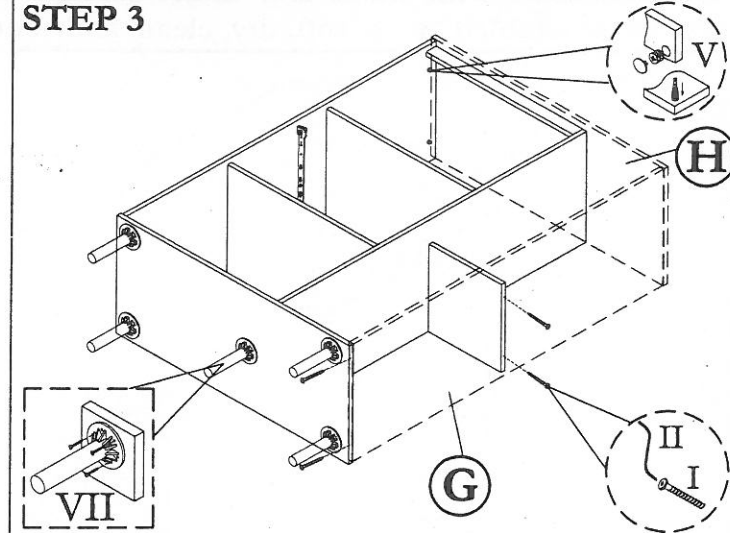
### STEP 1



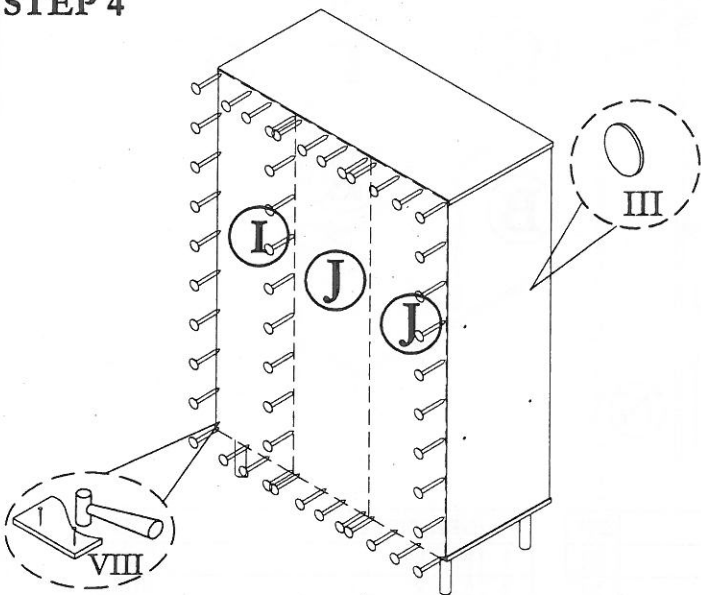
### STEP 2



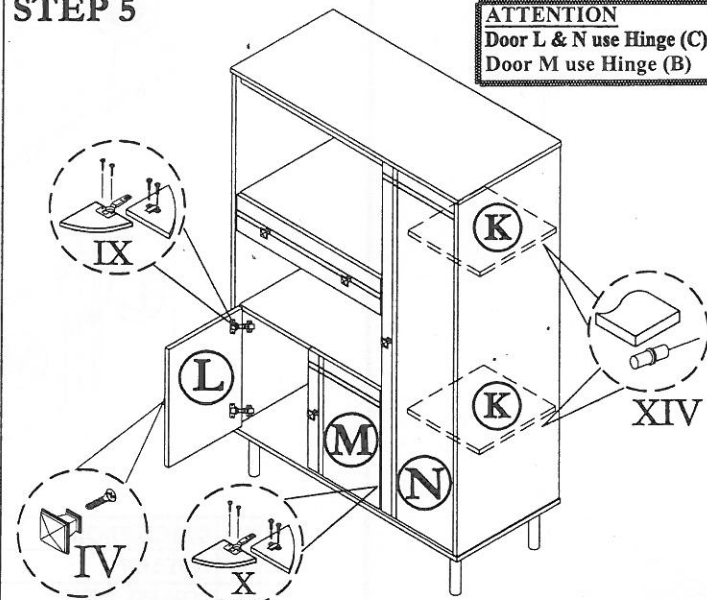
### STEP 3



### STEP 4

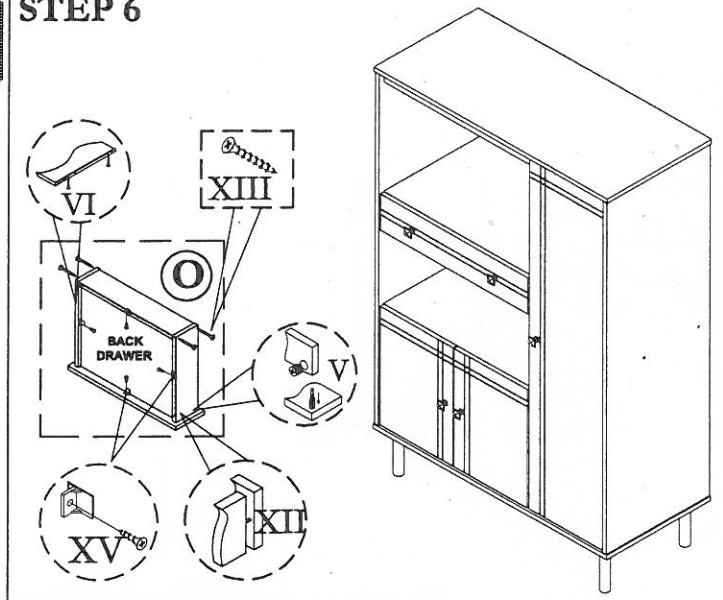


### STEP 5



**ATTENTION**  
Door L & N use Hinge (C)  
Door M use Hinge (B)

### STEP 6



#### HARDWARE LIST

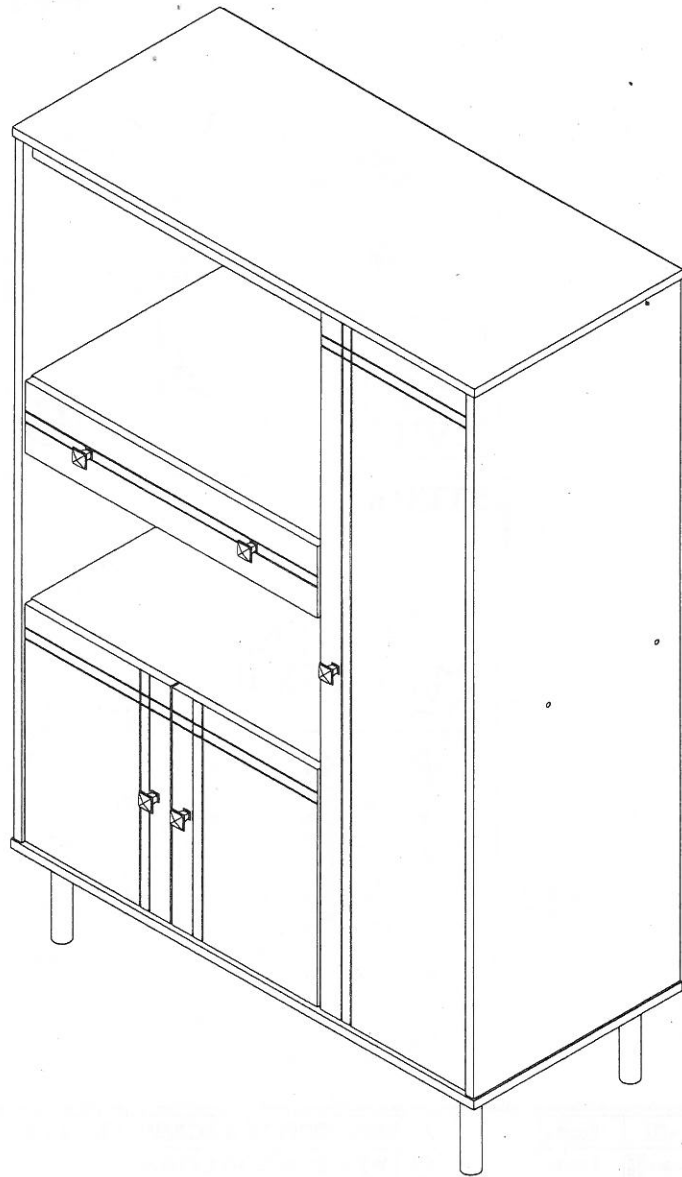
NO	DESCRIPTION	QTY
I	JCBCW SCREW M6.3 x 50	18pcs
II	M4 ALLEN KEY	1pc
III	STICKER	6pcs
IV	HANDLE & SCREW M4 x 22	5sets

V	Q-FIT	8sets
VI	12" DRAWER SLIDER & SCREW M3.5 x 16	1sets
VII	150MM P.LEG & SCREW M3.5 x 16	5sets
VIII	NAIL	60pcs
IX	HINGE (C) & SCREW M3.5 x 16	4sets
X	HINGE (B) & SCREW M3.5 x 16	2sets

XI	HIPS STOPPER & SCREW M3.5 x 16	1set
XII	M8 x 30 WOOD DOWEL	4pcs
XIII	M8 x 32 CHIPBOARD SCREW	4pcs
XIV	SHELF SUPPORT	8pcs
XV	DRAWER SUPPORT & SCREW M3.5 x 12	4sets

**CAUTION:**

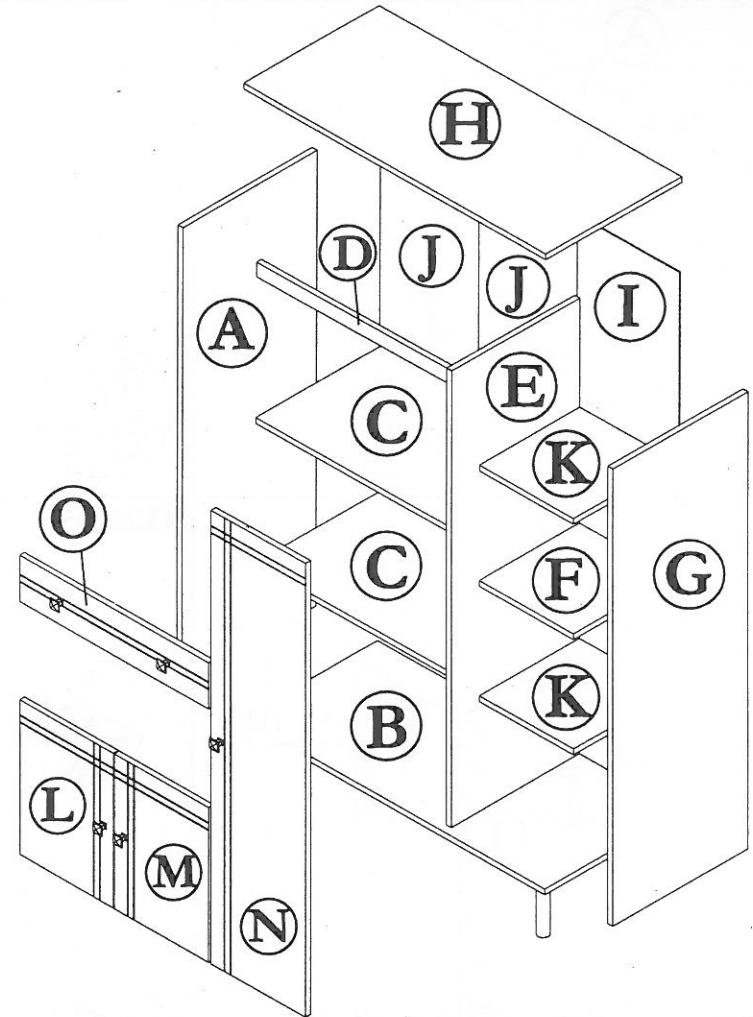
To clean use soft, dry cloth. Do not use detergent or chemicals  
Avoid contact with water and direct sunlight.  
To be assembled on a soft, dry, clean and smooth surface.



**COMPLETE SET**

**ORDERING REPAIR PARTS**

In order to obtain smooth and rapid service when ordering repair parts,  
please give full attention to the following of PART NUMBER.



NO	DESCRIPTION	QTY
A	LEFT SIDE	01
B	LOWEST SHELF	01
C	CENTRE SHELF	02
D	TOP SUPPORT	01
E	CENTRE VERTICAL	01
F	CENTRE SHELF	01
G	RIGHT SIDE	01
H	TOP	01

NO	DESCRIPTION	QTY
I	BACK	01
J	BACK	02
K	MOVABLE SHELF	02
L	LEFT SIDE DOOR	01
M	CENTRE DOOR	01
N	RIGHT SIDE DOOR	01
O	DRAWER FACE	01