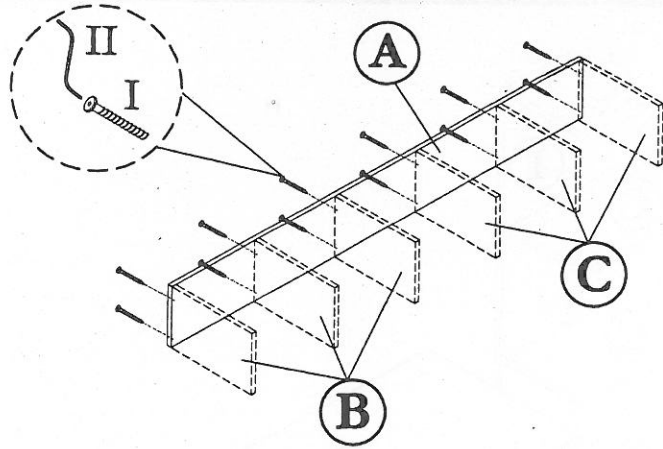


# ASSEMBLY INSTRUCTION

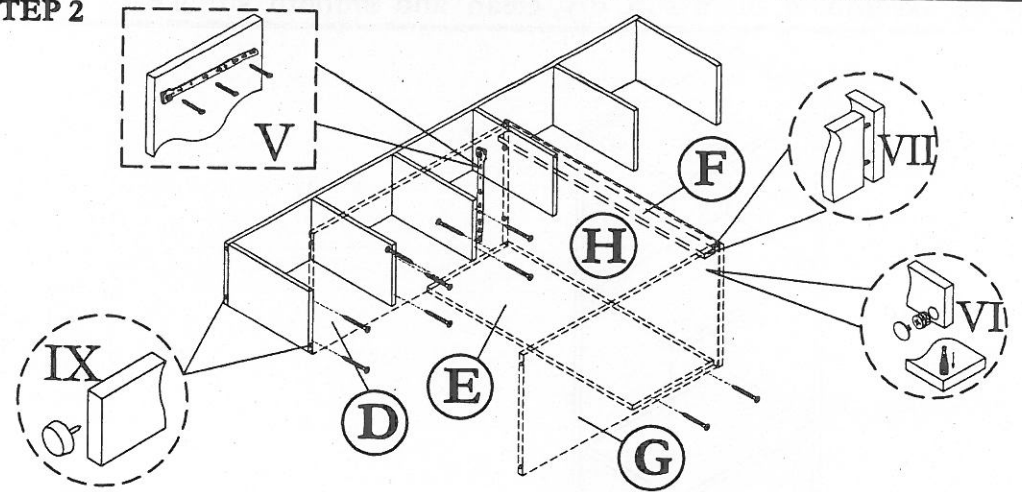
## MODEL : CT 2032 / COMPUTER TABLE

Before you begin, please follow assembly instruction carefully. Then follow them step by step.

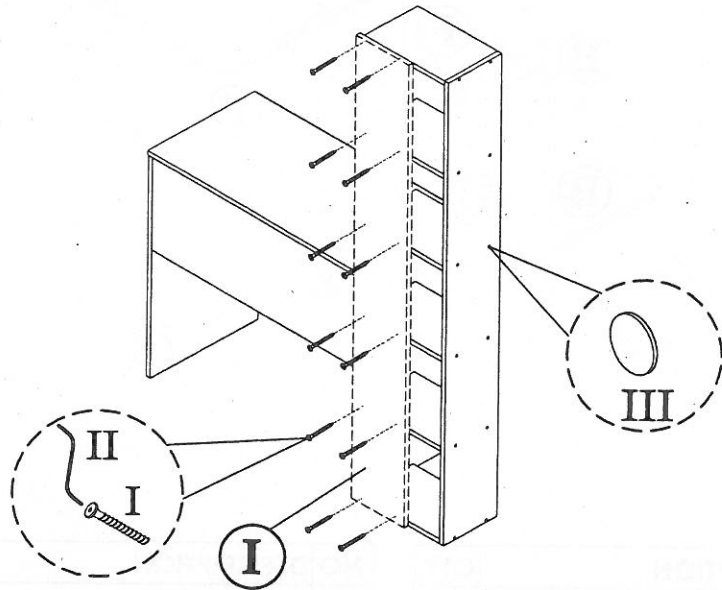
### STEP 1



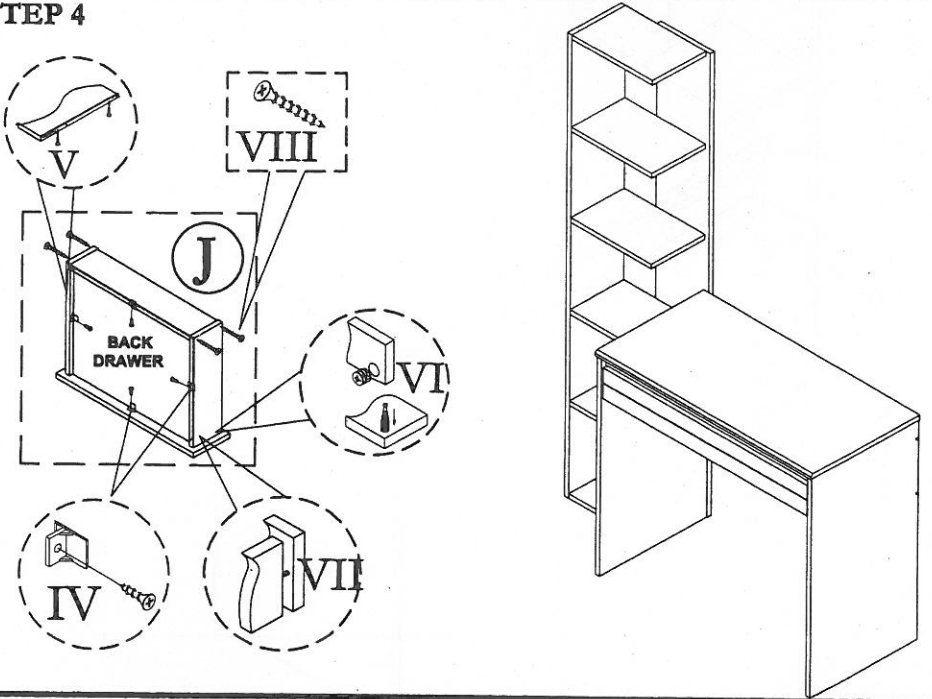
### STEP 2



### STEP 3



### STEP 4



HARDWARE LIST			
NO	DESCRIPTION		QTY
I	JCBCW SCREW M6.3 x 50		34pcs
II	M4 ALLEN KEY		1pc
III	STICKER		20pcs

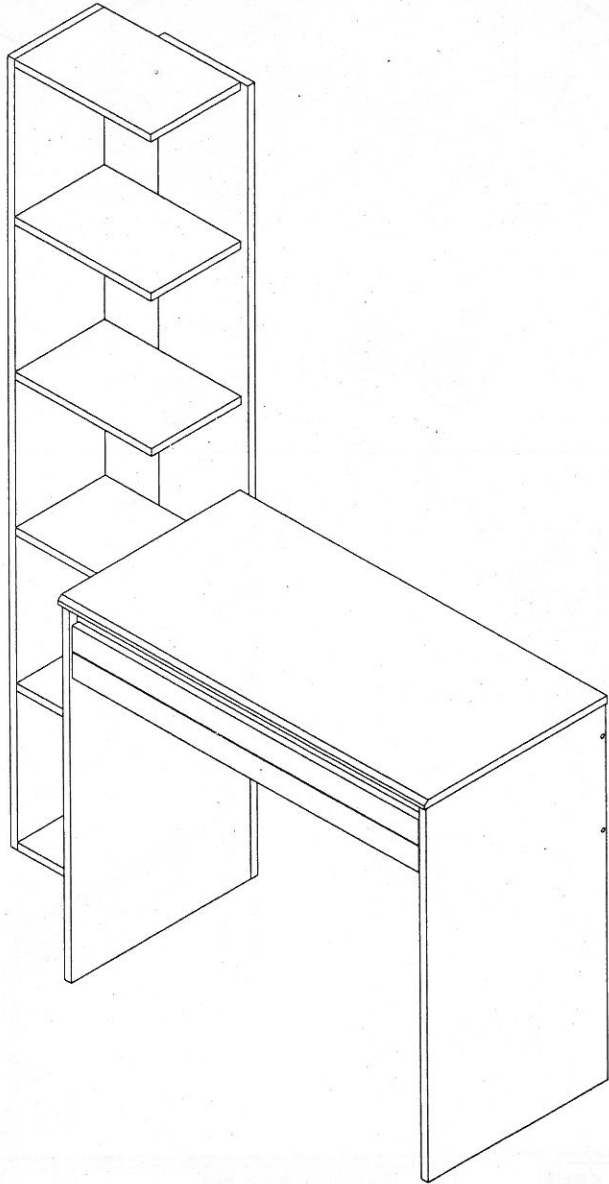
IV	DRAWER SUPPORT & SCREW M3.5 x 12		4sets
V	12" DRAWER SLIDER & SCREW M3.5 x 16		1sets
VI	Q-FIT		6sets
VII	M8 x 30 WOOD DOWEL		4pcs
VIII	M8 X 32 CHIPBOARD SCREW		4pcs

IX	PVC NAIL WITH PIN		8pcs

**CAUTION:**

To clean use soft, dry cloth. Do not use detergent or chemicals  
Avoid contact with water and direct sunlight.

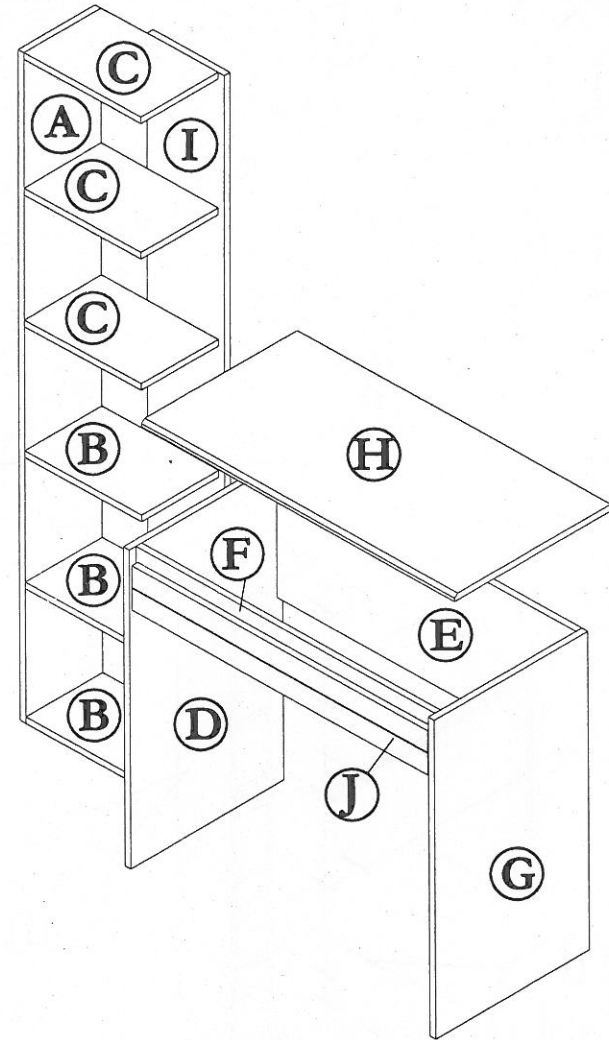
To be assembled on a soft, dry, clean and smooth surface.



# COMPLETE SET

**ORDERING REPAIR PARTS**

In order to obtain smooth and rapid service when ordering repair parts,  
please give full attention to the following of PART NUMBER.



NO	DESCRIPTION	QTY
A	LEFT SIDE	01
B	SHELF	03
C	SHELF	03
D	LEFT SIDE	03
E	BACK SUPPORT	01

NO	DESCRIPTION	QTY
F	TOP SUPPORT	01
G	RIGHT SIDE	01
H	TOP	01
I	BACK SUPPORT	01
J	DRAWER FACE	01