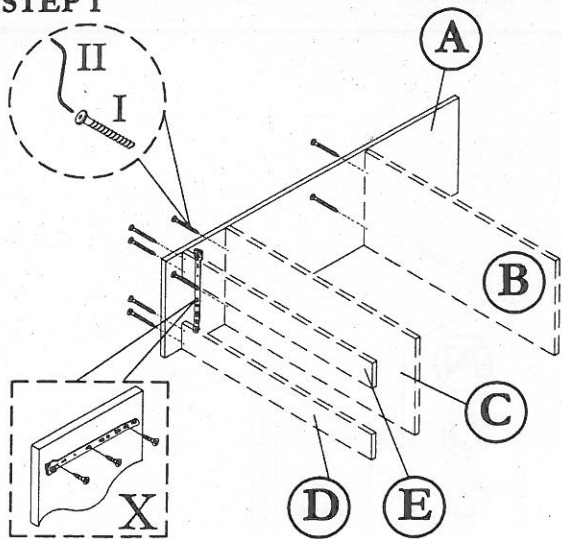


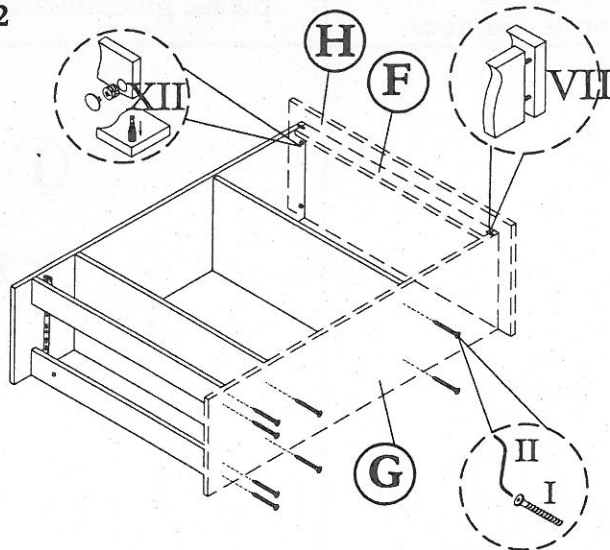
ASSEMBLY INSTRUCTION
MODEL : 7179 / SHOE RACK

Before you begin, please follow assembly instruction carefully.
 Then follow them step by step.

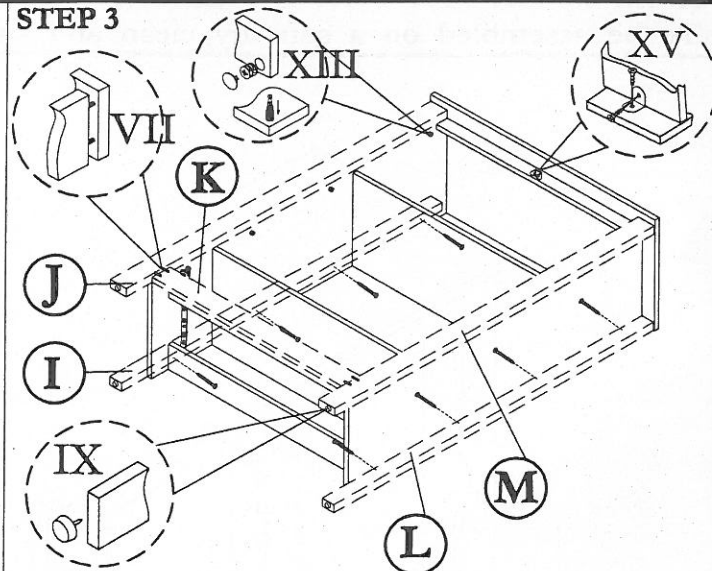
STEP 1



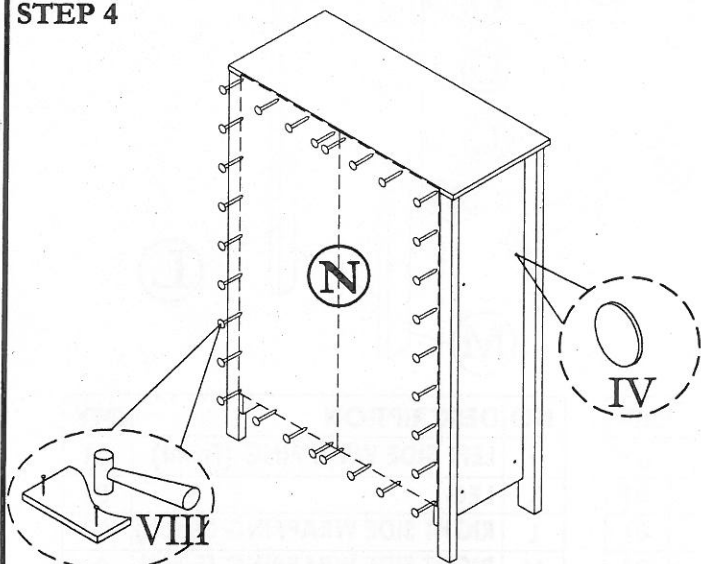
STEP 2



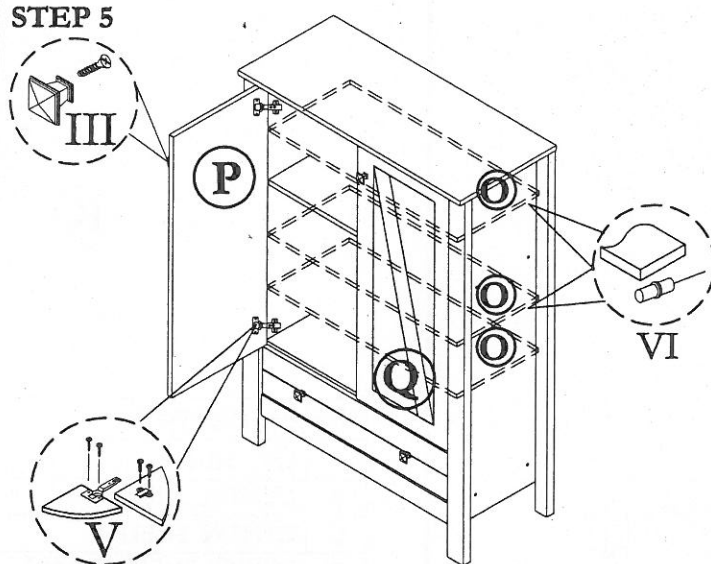
STEP 3



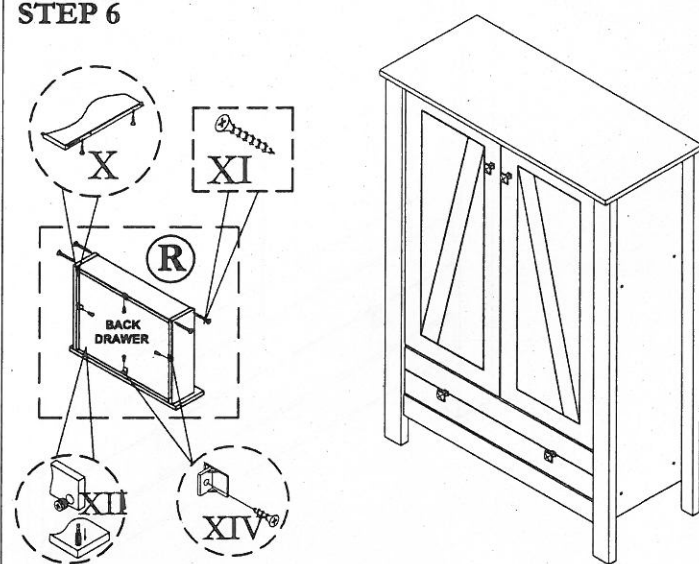
STEP 4



STEP 5



STEP 6



| HARDWARE LIST | | | |
|---------------|------------------------|--|-------|
| NO | DESCRIPTION | | QTY |
| I | JCBCW SCREW M6.3 x 50 | | 24pcs |
| II | M4 ALLEN KEY | | 1pc |
| III | HANDLE & SCREW M4 x 22 | | 4sets |
| IV | STICKER | | 12pcs |

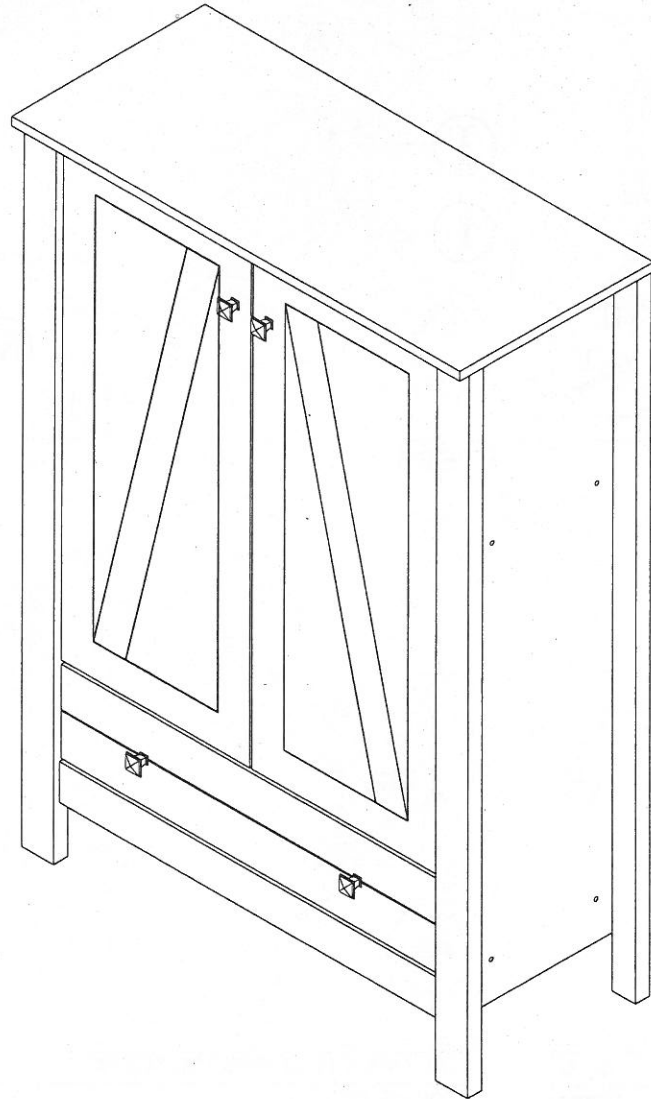
| | | | |
|------|-------------------------------------|--|-------|
| V | HINGE (C) & SCREW M3.5 x 16 | | 4sets |
| VI | SHELF SUPPORT | | 12pcs |
| VII | M8 x 30 WOOD DOWEL | | 6pcs |
| VIII | NAIL | | 40pcs |
| IX | PVC NAIL WITH PIN | | 4pcs |
| X | 10" DRAWER SLIDER & SCREW M3.5 x 16 | | 1sets |

| | | | |
|------|----------------------------------|--|-------|
| XI | M8 x 32 CHIPBOARD SCREW | | 4pcs |
| XII | Q-FIT | | 8sets |
| XIII | Q-FIT (small) | | 8sets |
| XIV | DRAWER SUPPORT & SCREW M3.5 x 12 | | 4sets |
| XV | L BRACKET & SCREW M3.5 x 12 | | 1sets |

CAUTION:

To clean use soft, dry cloth. Do not use detergent or chemicals
Avoid contact with water and direct sunlight.

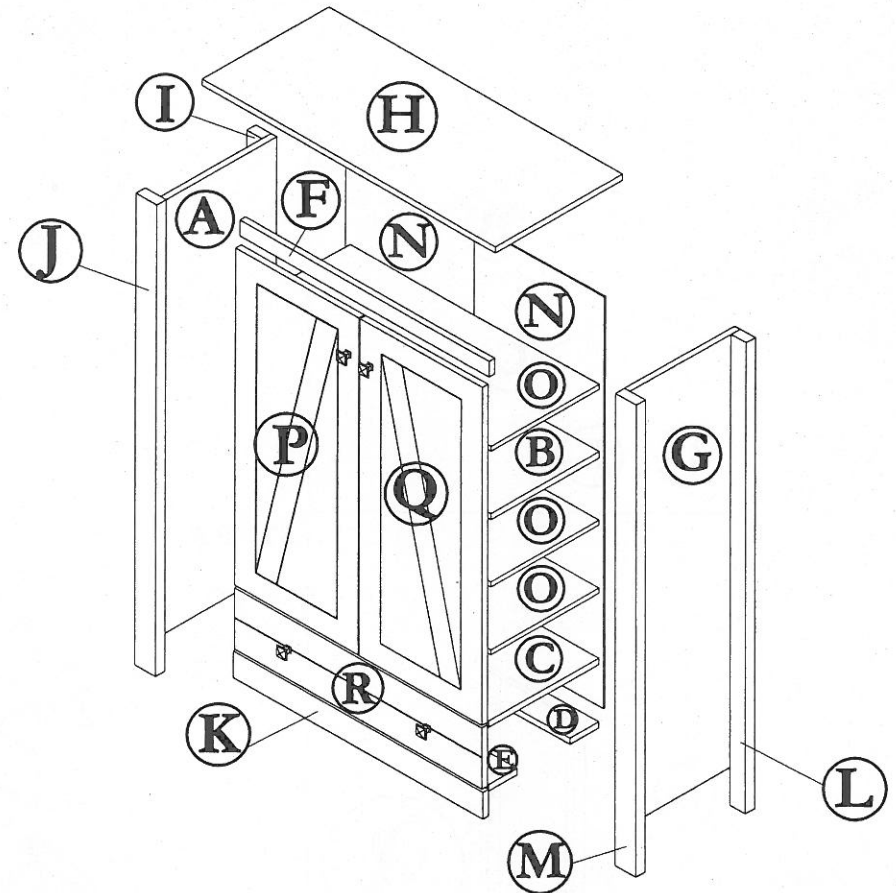
To be assembled on a soft, dry, clean and smooth surface.



COMPLETE SET

ORDERING REPAIR PARTS

In order to obtain smooth and rapid service when ordering repair parts, please give full attention to the following of PART NUMBER.



| NO | DESCRIPTION | QTY |
|----|---------------------------|-----|
| A | LEFT SIDE | 01 |
| B | CENTRE SHELF | 01 |
| C | CENTRE SHELF | 01 |
| D | LOWER SHELF (Back) | 01 |
| E | LOWER SHELF (Front) | 01 |
| F | TOP SUPPORT | 01 |
| G | RIGHT SIDE | 01 |
| H | TOP | 01 |
| I | LEFT SIDE WRAPPING (Back) | 01 |

| NO | DESCRIPTION | QTY |
|----|-----------------------------|-----|
| J | LEFT SIDE WRAPPING (Front) | 01 |
| K | LEG | 01 |
| L | RIGHT SIDE WRAPPING (Back) | 01 |
| M | RIGHT SIDE WRAPPING (Front) | 01 |
| N | BACK | 02 |
| O | MOVABLE SHELF | 03 |
| P | LEFT SIDE DOOR | 01 |
| Q | RIGHT SIDE DOOR | 01 |
| R | DRAWER FACE | 01 |