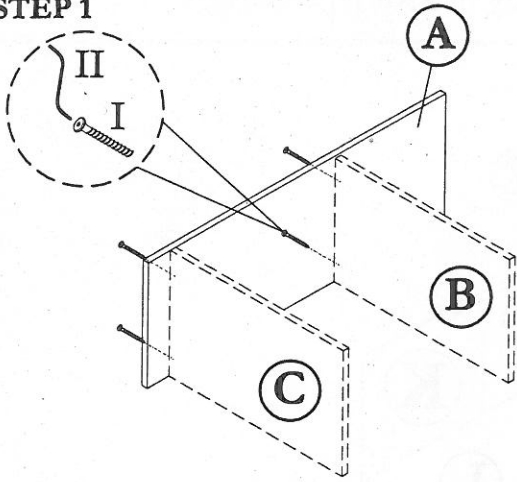


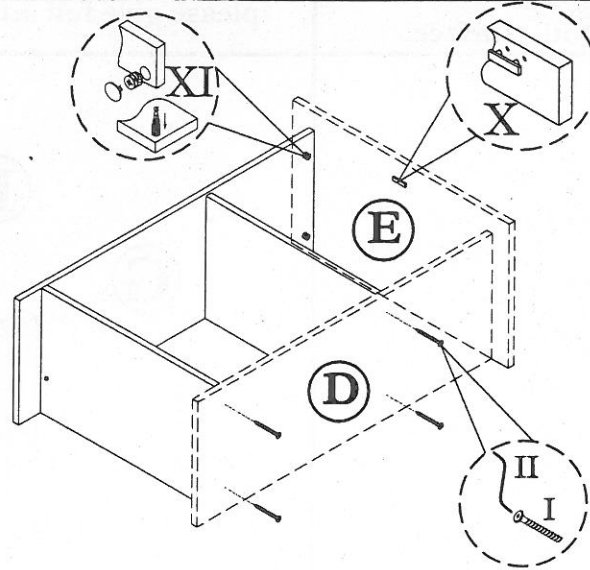
ASSEMBLY INSTRUCTION
MODEL : 7177 / SHOE RACK

Before you begin, please follow assembly instruction carefully.
 Then follow them step by step.

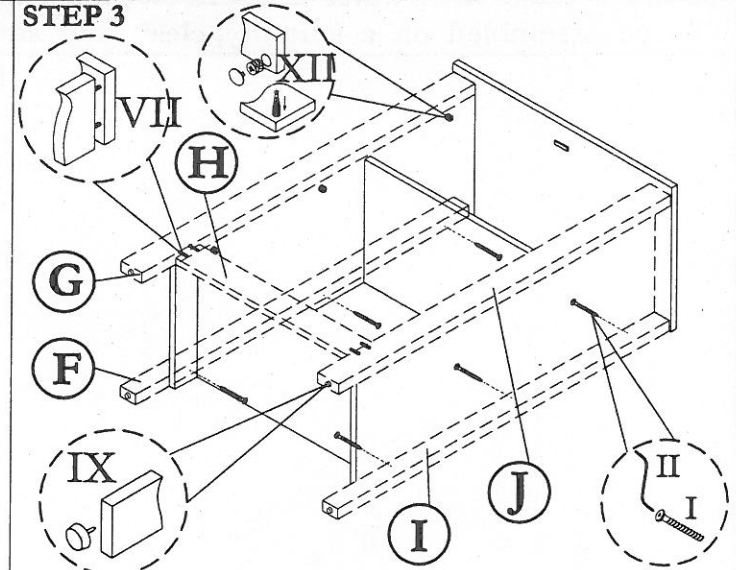
STEP 1



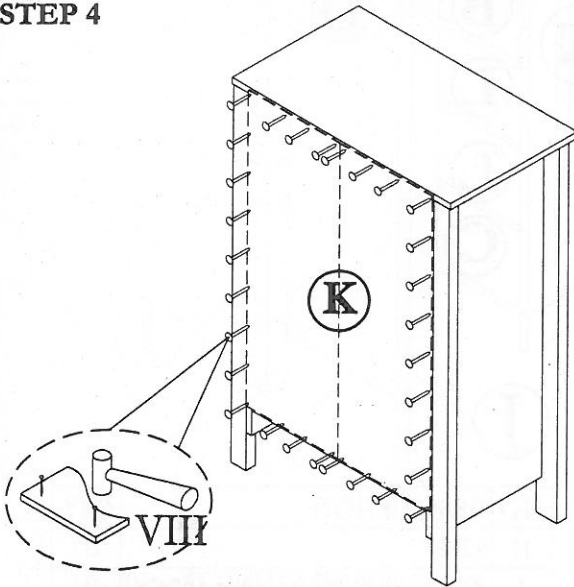
STEP 2



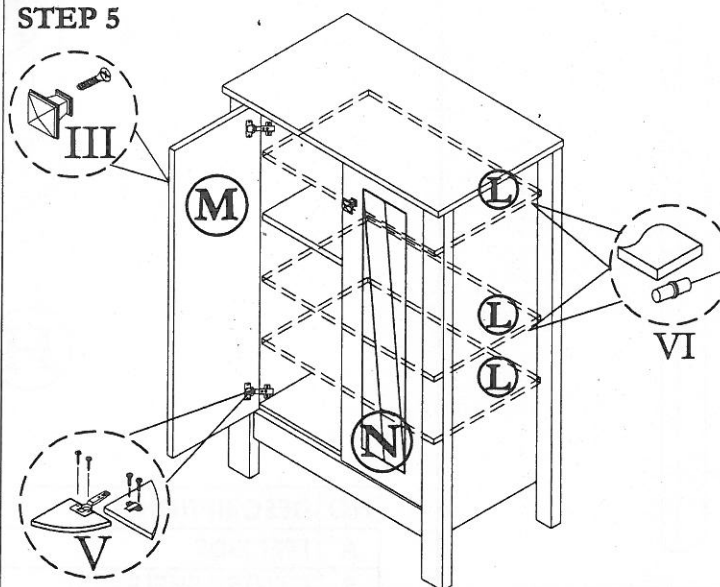
STEP 3



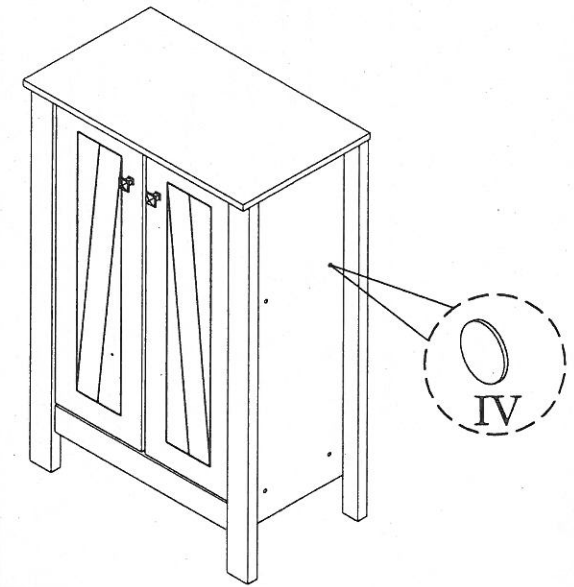
STEP 4



STEP 5



STEP 6



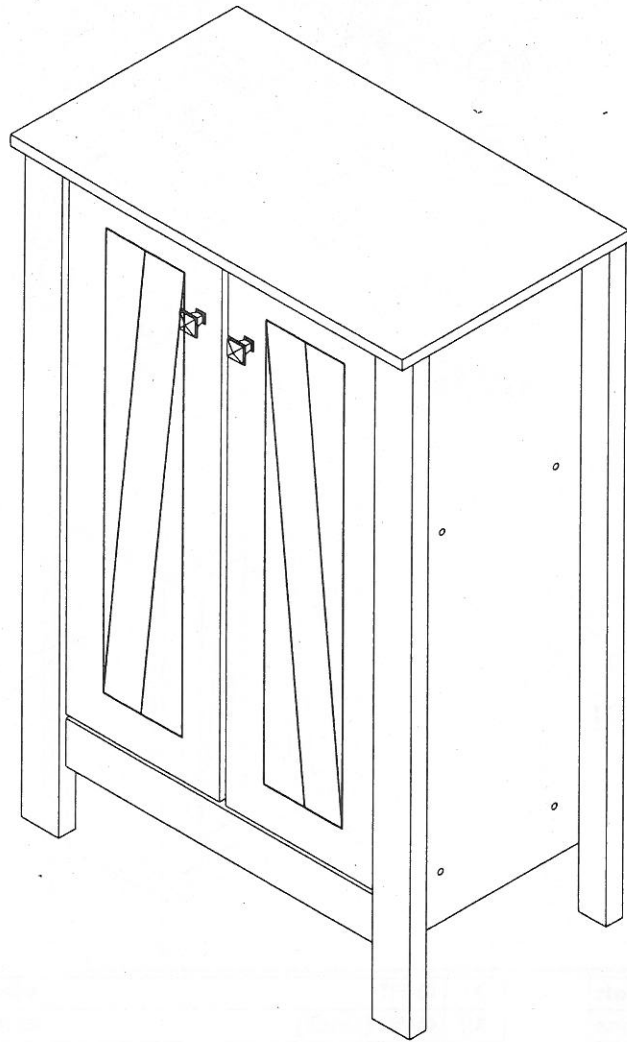
HARDWARE LIST			
NO	DESCRIPTION		QTY
I	JCBCW SCREW M6.3 x 50		14pcs
II	M4 ALLEN KEY		1pc
III	HANDLE & SCREW M4 x 22		2sets
IV	STICKER		8pcs

V	HINGE (C) & SCREW M3.5 x 16		4sets
VI	SHELF SUPPORT		12pcs
VII	M8 x 30 WOOD DOWEL		4pcs
VIII	NAIL		40pcs
IX	PVC NAIL WITH PIN		4pcs
X	HIPS STOPPER & SCREW M3.5 x 16		1sets

XI	Q-FIT		4sets
XII	Q-FIT (small)		6sets

CAUTION:

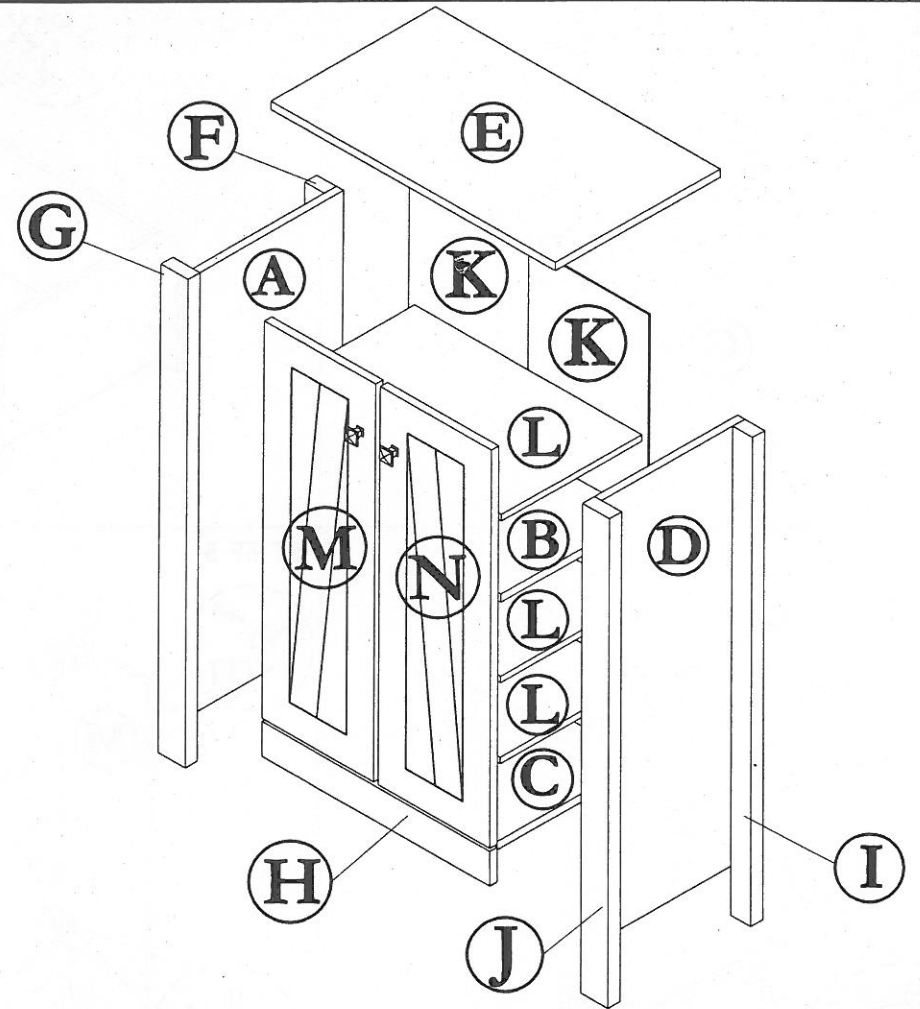
To clean use soft, dry cloth. Do not use detergent or chemicals
Avoid contact with water and direct sunlight.
To be assembled on a soft, dry, clean and smooth surface.



COMPLETE SET

ORDERING REPAIR PARTS

In order to obtain smooth and rapid service when ordering repair parts, please give full attention to the following of PART NUMBER.



NO	DESCRIPTION	QTY
A	LEFT SIDE	01
B	CENTRE SHELF	01
C	LOWER SHELF	01
D	RIGHT SIDE	01
E	TOP	01
F	LEFT SIDE WRAPPING (Back)	01
G	LEFT SIDE WRAPPING (Front)	01

NO	DESCRIPTION	QTY
H	LEG	01
I	RIGHT SIDE WRAPPING (Back)	01
J	RIGHT SIDE WRAPPING (Front)	01
K	BACK	02
L	MOVABLE SHELF	03
M	LEFT SIDE DOOR	01
N	RIGHT SIDE DOOR	01