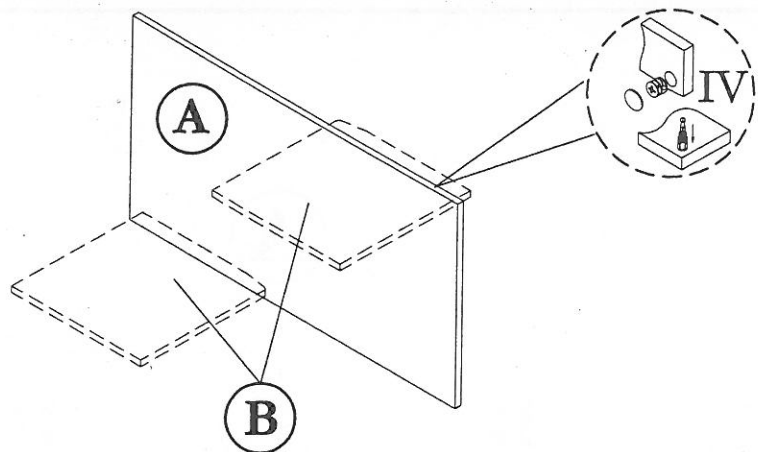


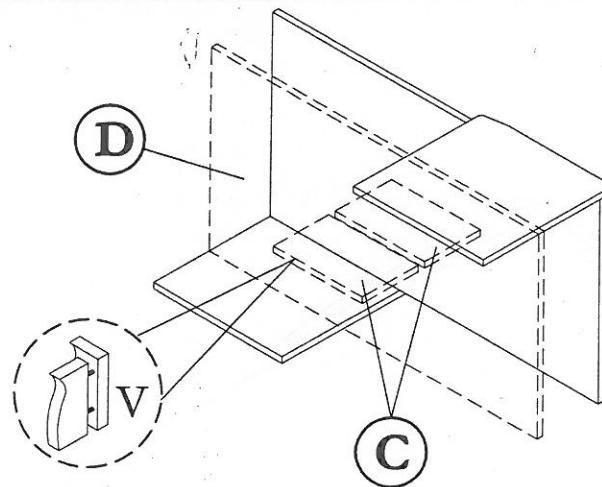
ASSEMBLY INSTRUCTION
MODEL : 2164 / COFFEE TABLE

Before you begin, please follow assembly instruction carefully.
 Then follow them step by step.

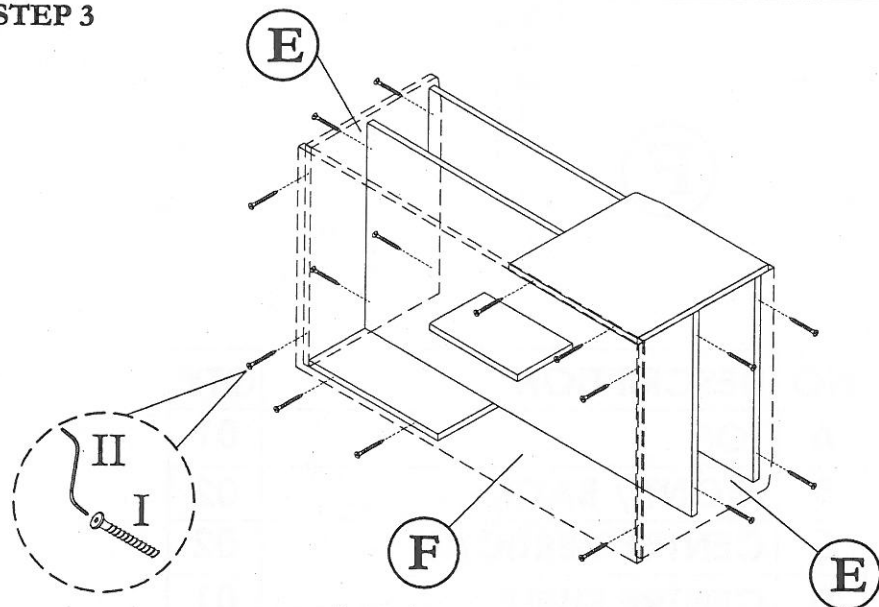
STEP 1



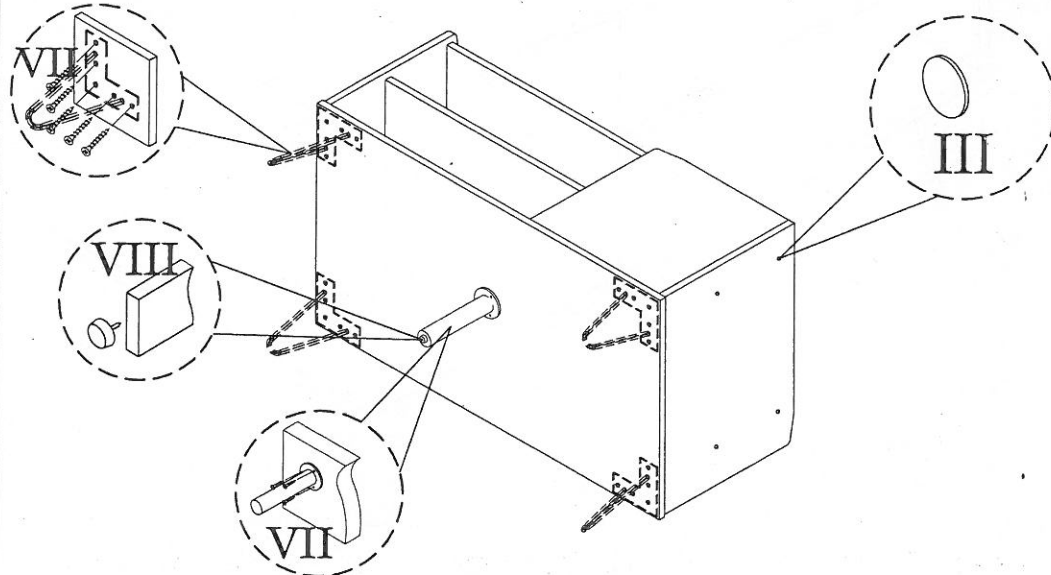
STEP 2



STEP 3



STEP 4



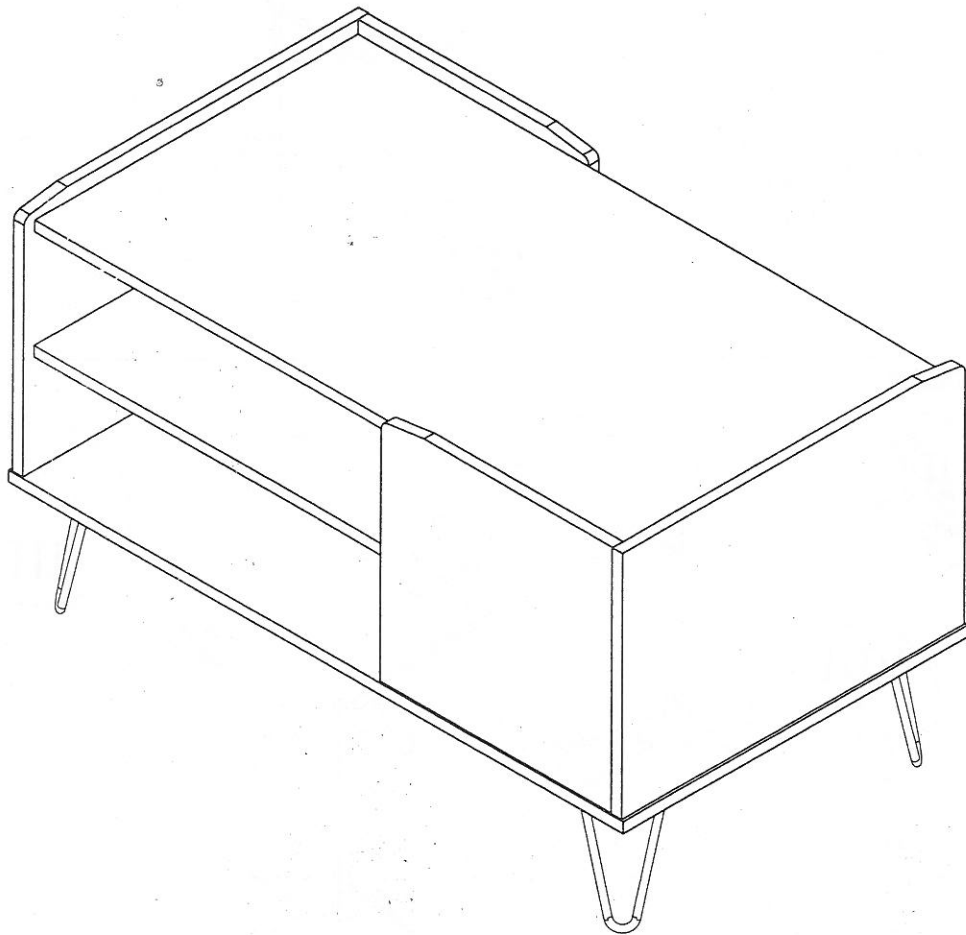
HARDWARE LIST			
NO	DESCRIPTION		QTY
I	JCBCW SCREW M6 x 45		16pcs
II	M4 ALLEN KEY		1pc

III	STICKER		8pcs
IV	Q-FIT		4sets
V	M8 x 30 WOOD DOWEL		8pcs
VI	PLASTIC LEG & SCREW M3.5 x 16		1sets

VII	SL-331-5 LEG & SCREW M3.5 x 16		4sets
VIII	PVC NAIL WITH PIN		1pc

CAUTION:

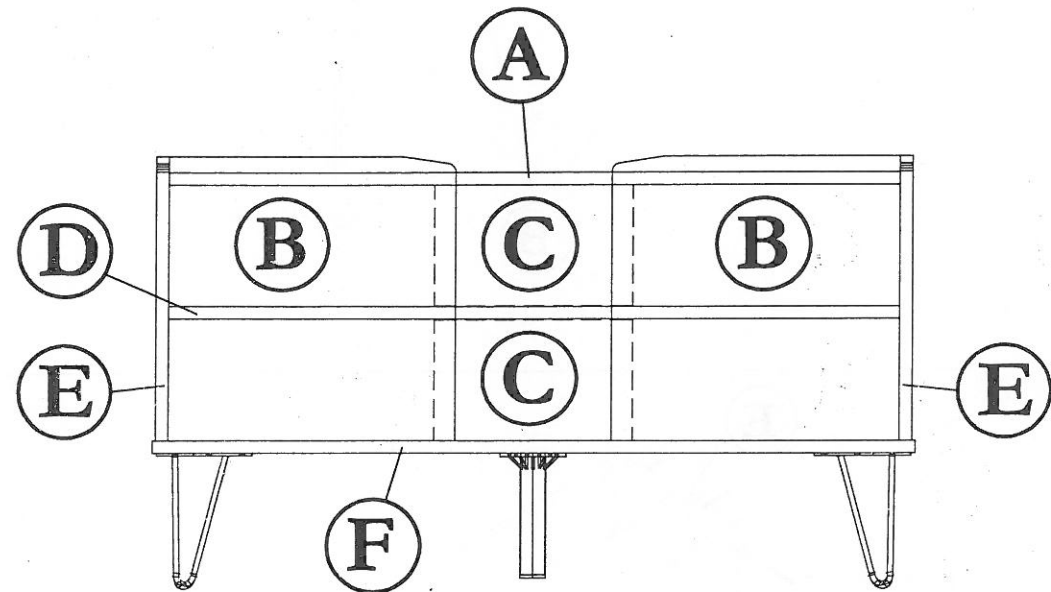
To clean use soft, dry cloth. Do not use detergent or chemicals
Avoid contact with water and direct sunlight.
To be assembled on a soft, dry, clean and smooth surface.



COMPLETE SET

ORDERING REPAIR PARTS

In order to obtain smooth and rapid service when ordering repair parts, please give full attention to the following of PART NUMBER.



NO	DESCRIPTION	QTY
A	TOP	01
B	FRONT / BACK	02
C	CENTRE VERTICAL	02
D	CENTRE SHELF	01
E	LEFT / RIGHT SIDE	02
F	LOWER SHELF	01