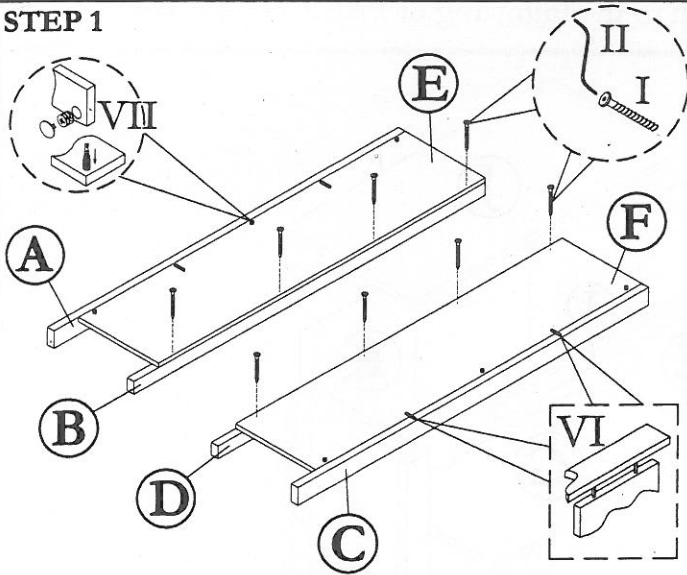


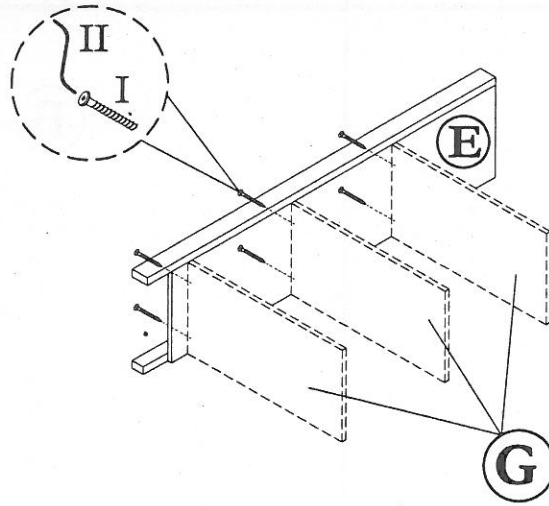
ASSEMBLY INSTRUCTION
MODEL : 1224 / BOOKCASE

Before you begin, please follow assembly instruction carefully.
 Then follow them step by step.

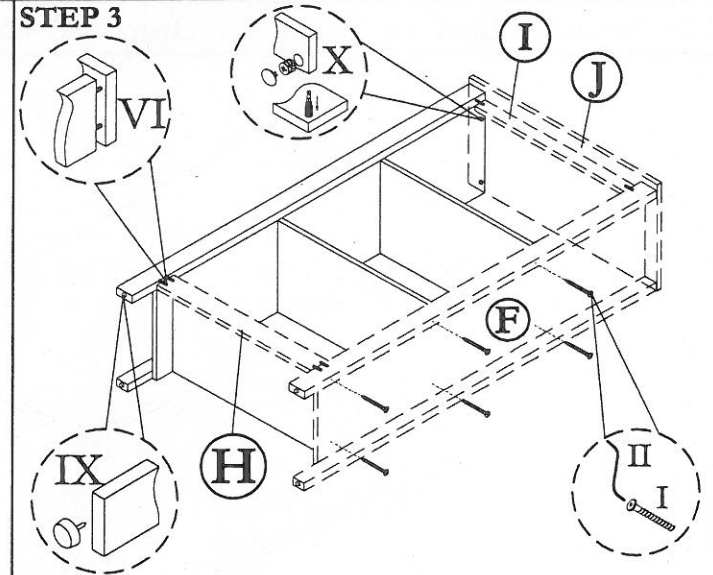
STEP 1



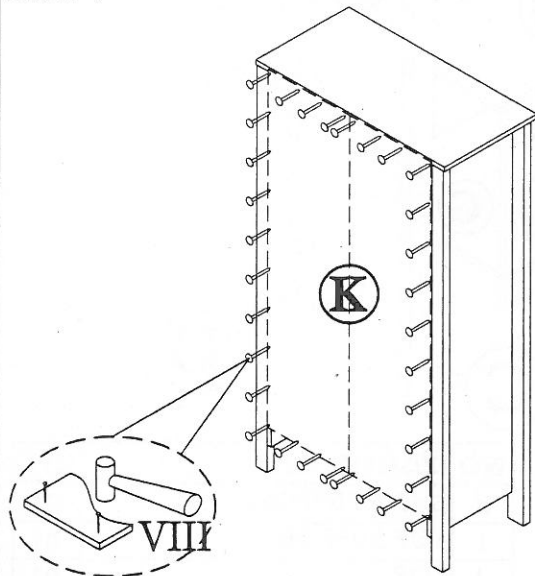
STEP 2



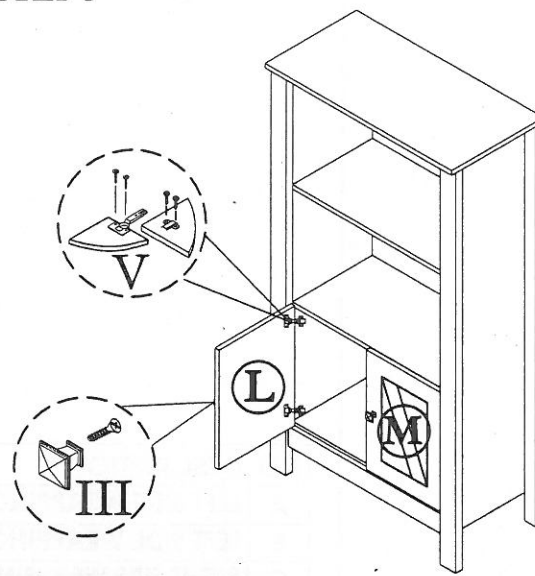
STEP 3



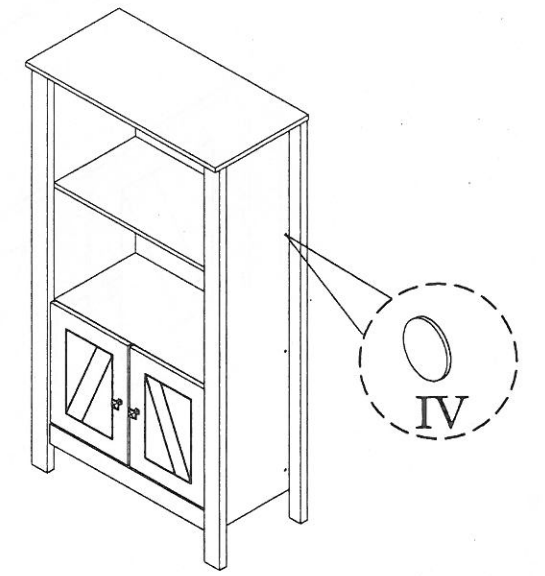
STEP 4



STEP 5



STEP 6



HARDWARE LIST

| NO | DESCRIPTION | QTY |
|-----|------------------------|-------|
| I | JCBCW SCREW M6.3 x 50 | 20pcs |
| II | M4 ALLEN KEY | 1pc |
| III | HANDLE & SCREW M4 x 22 | 2sets |

| | | |
|------|-----------------------------|-------|
| IV | STICKER | 16pcs |
| V | HINGE (C) & SCREW M3.5 x 16 | 4sets |
| VI | M8 x 30 WOOD DOWEL | 10pcs |
| VII | Q-FIT (small) | 6sets |
| VIII | NAIL | 40pcs |

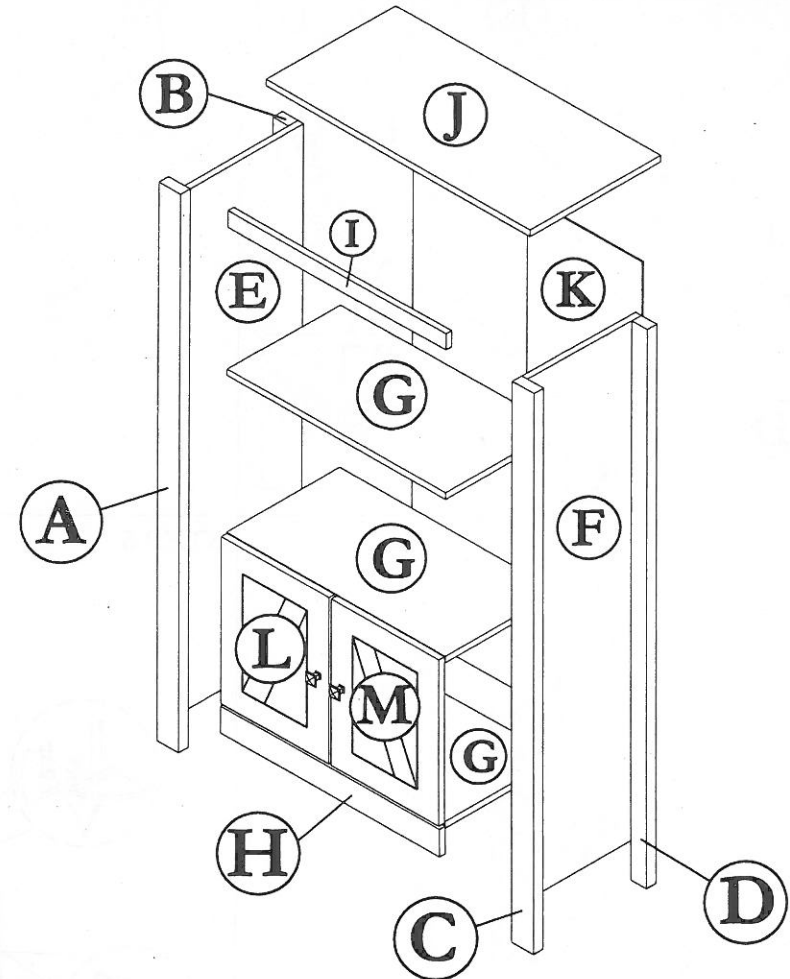
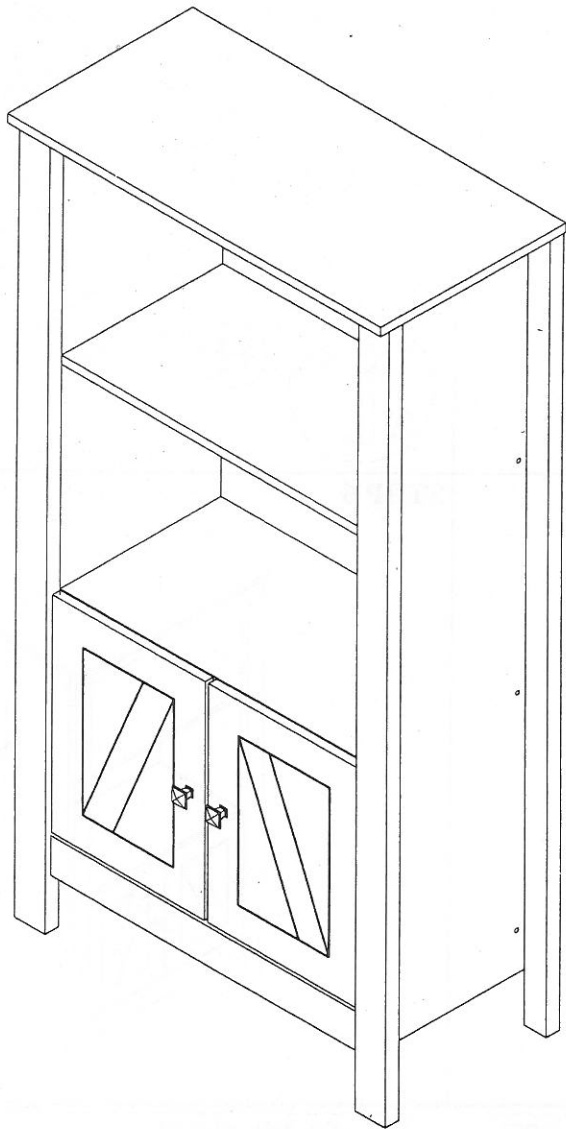
| | | |
|----|-------------------|-------|
| IX | PVC NAIL WITH PIN | 4pcs |
| X | Q-FIT | 4sets |
| | | |
| | | |

CAUTION:

To clean use soft, dry cloth. Do not use detergent or chemicals
Avoid contact with water and direct sunlight.
To be assembled on a soft, dry, clean and smooth surface.

ORDERING REPAIR PARTS

In order to obtain smooth and rapid service when ordering repair parts,
please give full attention to the following of PART NUMBER.



COMPLETE SET

| NO | DESCRIPTION | QTY |
|----|-----------------------------|-----|
| A | LEFT SIDE WRAPPING (Front) | 01 |
| B | LEFT SIDE WRAPPING (Back) | 01 |
| C | RIGHT SIDE WRAPPING (Front) | 01 |
| D | RIGHT SIDE WRAPPING (Back) | 01 |
| E | LEFT SIDE | 01 |
| F | RIGHT SIDE | 01 |
| G | CENTRE SHELF | 03 |

| NO | DESCRIPTION | QTY |
|----|-----------------|-----|
| H | SHELF SUPPORT | 01 |
| I | TOP SUPPORT | 01 |
| J | TOP | 01 |
| K | BACK | 02 |
| L | LEFT SIDE DOOR | 01 |
| M | RIGHT SIDE DOOR | 01 |
| | | |