

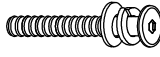





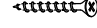
ASSEMBLY INSTRUCTIONS

MODEL : MONTE OVAL DINING TABLE

IMPORTANT NOTE :

- * PLACE ALL WOODEN PARTS ON A CLEAN AND SMOOTH SURFACE SUCH AD A RUG OR CARPET TO AVOID THE PARTS FROM BEING SCRATCHED.
- * BEFORE YOU BEGIN, KINDLY FOLLOW THE ASSEMBLY INSTRUCTIONS STEP BY STEP.

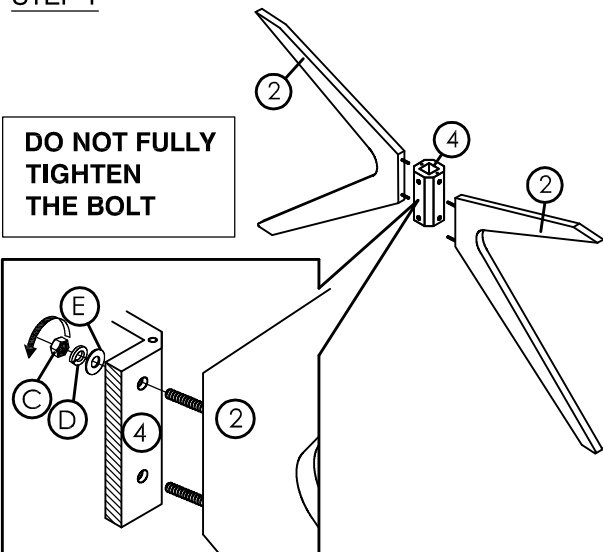
HARDWARE LIST

A	JCBC M6 x 70mm + S/W M6 + F/W M6 x 13mm		4PCS
B	ALLEN KEY M4		1PC
C	HEX NUT 5/16"		8PCS
D	SPRING WASHER 5/16"		8PCS
E	FLAT WASHER 5/16"		8PCS
F	SPANNER 12.8		1PC
G	FH SCREW #8 x 32mm		4PCS

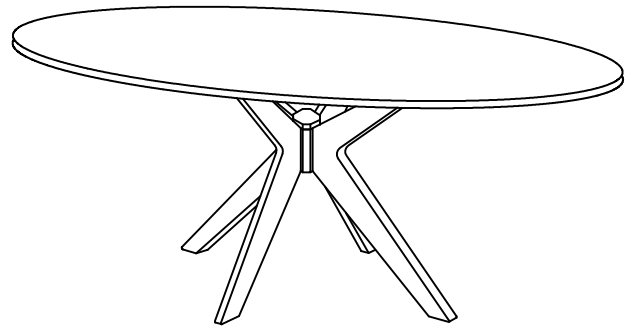
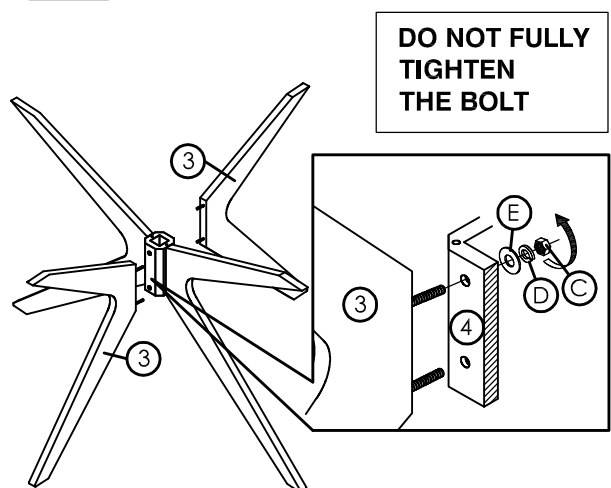
PART LIST

1	TABLE TOP	1PC
2	LONG TABLE LEG	2PCS
3	SHORT TABLE LEG	2PCS
4	CENTER SUPPORT BLOCK	1PC
5	CENTER BLOCK COVER	1PC

STEP 1

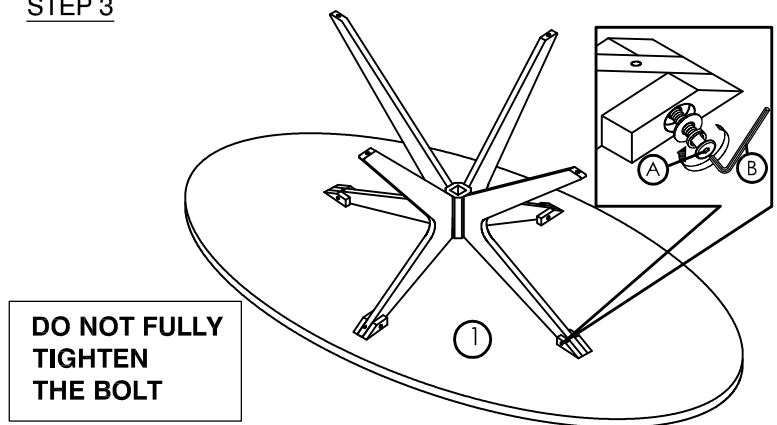


STEP2

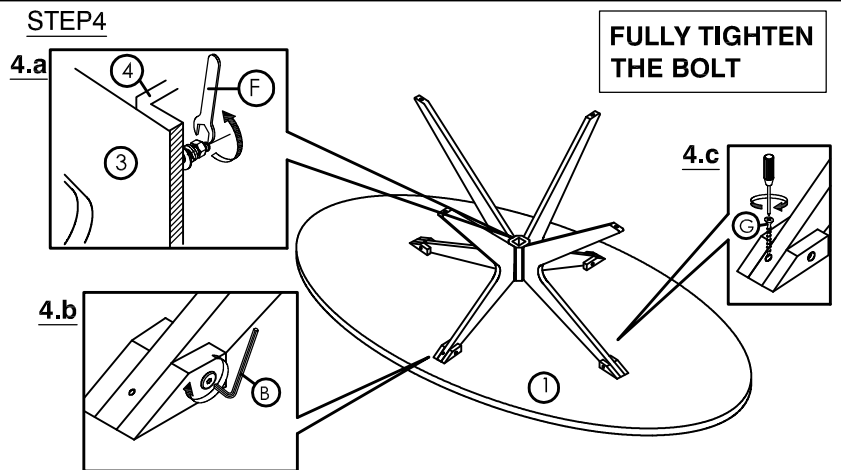


COMPLETED TABLE ASSEMBLY.

STEP 3



STEP4



STEP5

