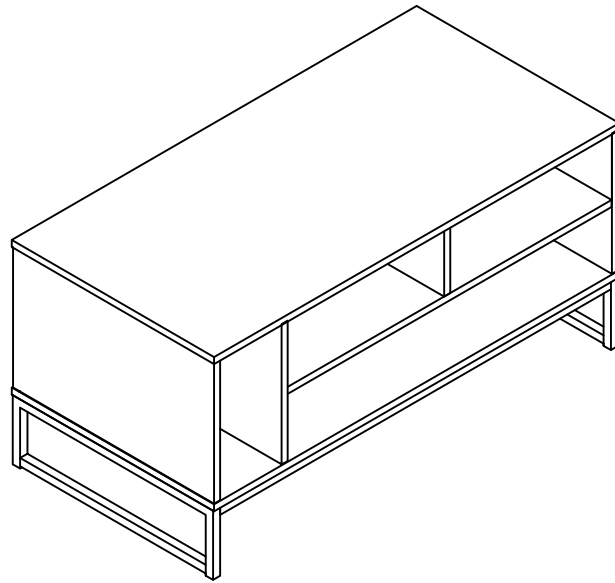


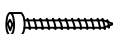




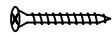


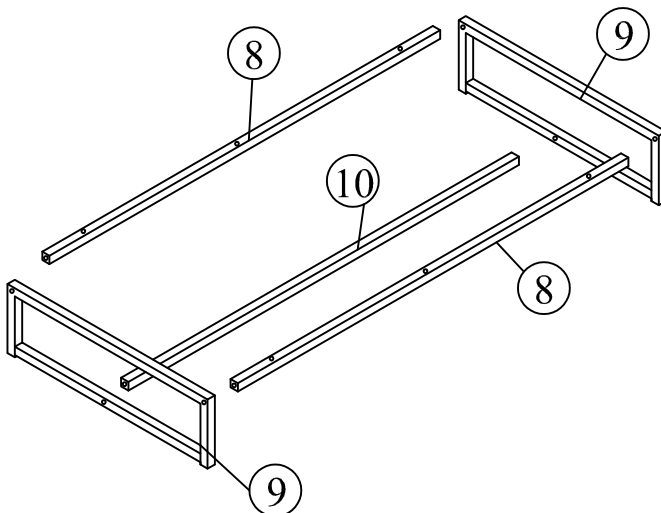
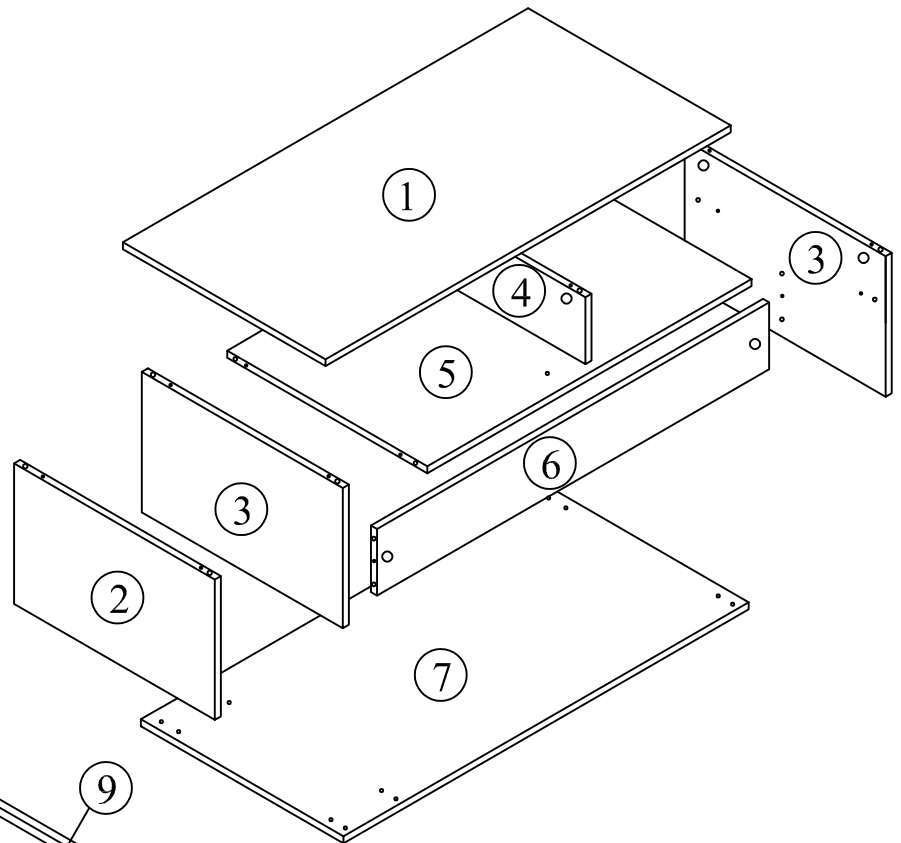
Assembly Instructions

Model : CT 8006

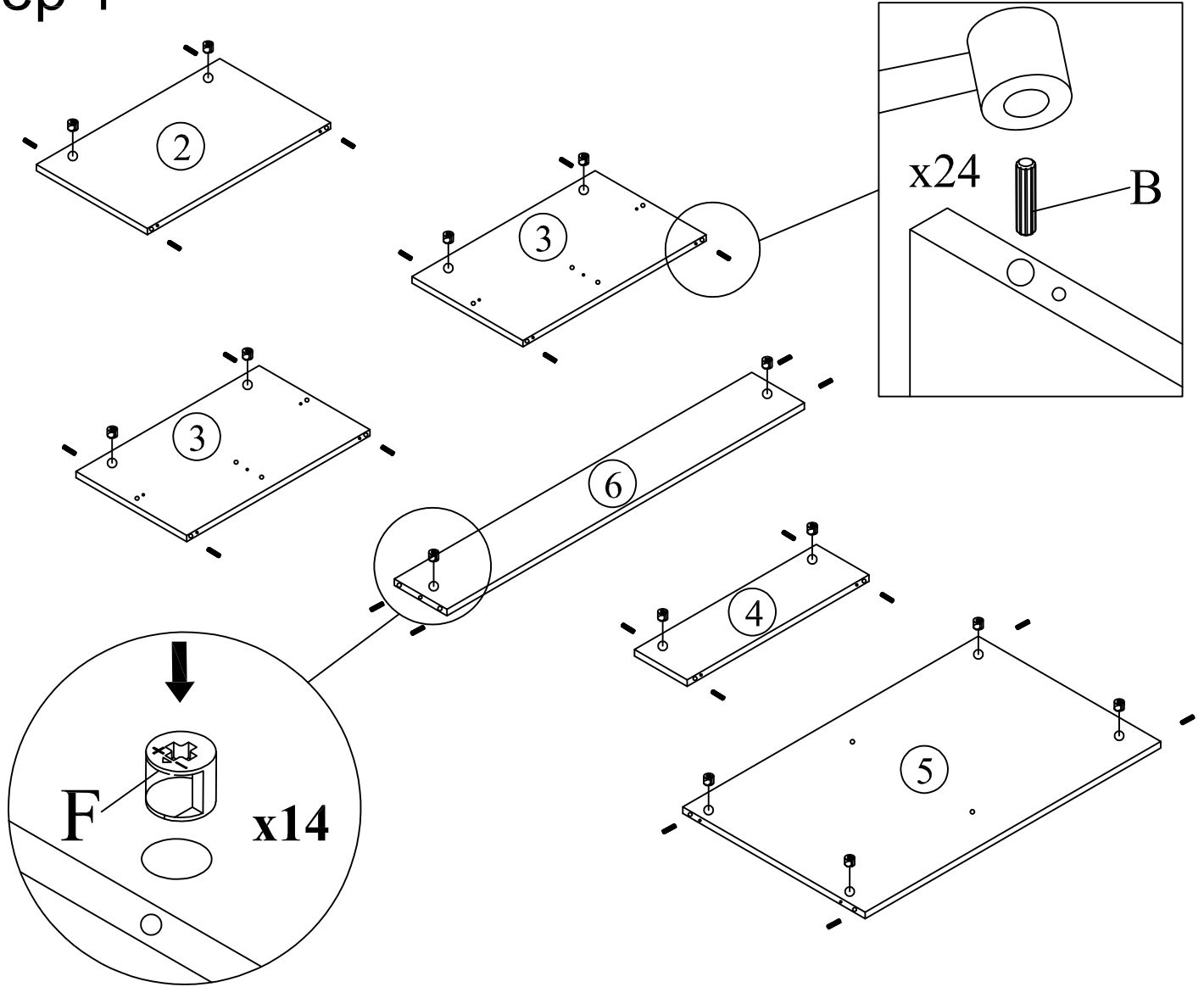
Part List		QTY
1	Top Panel	1
2	Side Panel (L)	1
3	Middle&Side Panel(R)	2
4	Middle Small Panel Support	1
5	Middle Panel	1
6	Middle Panel Support	1
7	Bottom Panel	1
8	Metal Support	2
9	Metal Frame Leg	2
10	Metal Support	1



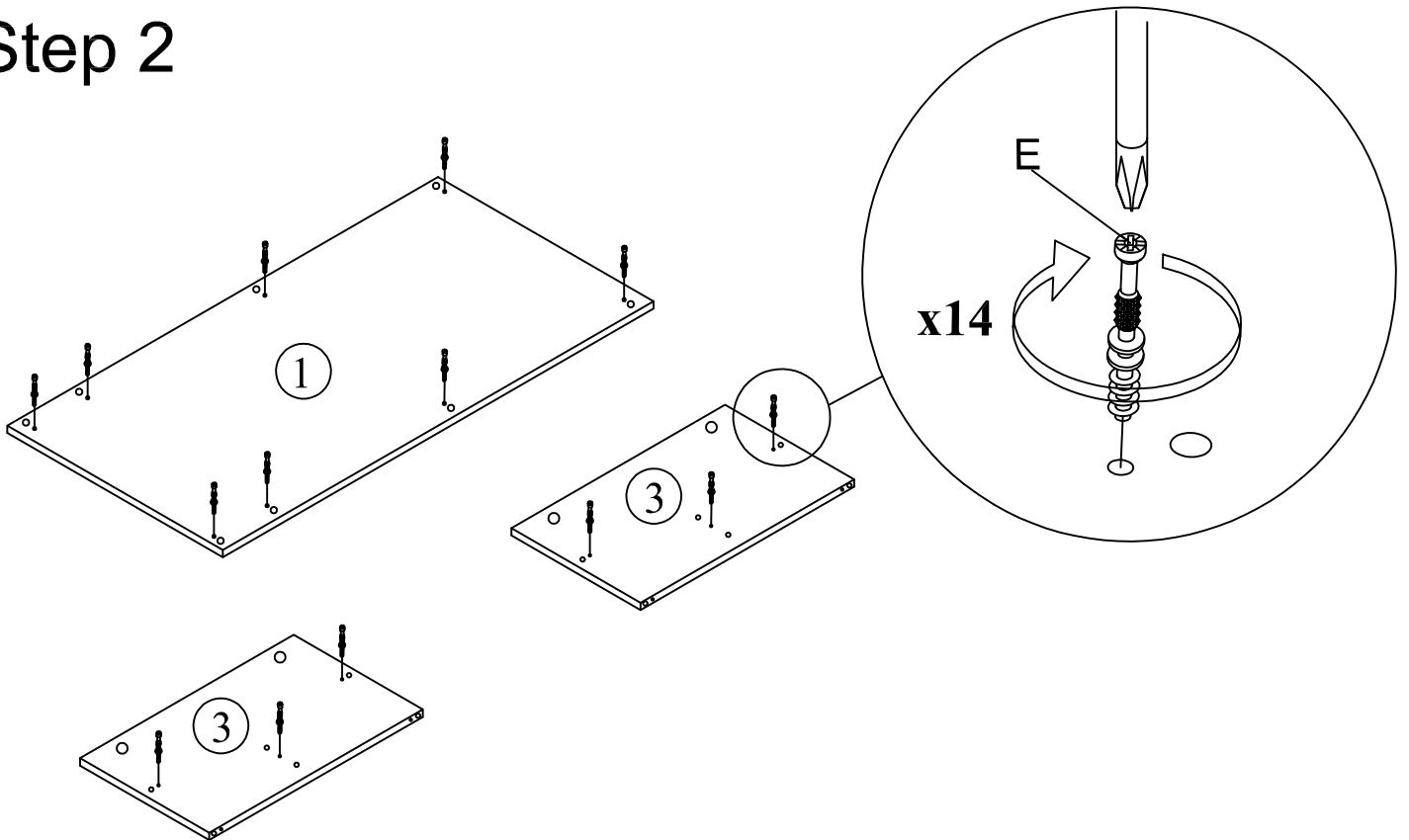
Hardware		QTY
A	Allen Key M4 	1
B	Dowel 	24
C	JCBC W Screw M6x40 	8
D	JCBC Screw M6 X 50 Spring + Flat Washer 	6
E	Mini Fix Bolt 	14
F	Mini Fix Housing 	14
G	Mini Fix Cap 	14
H	CSK Screw M4x32mm 	6



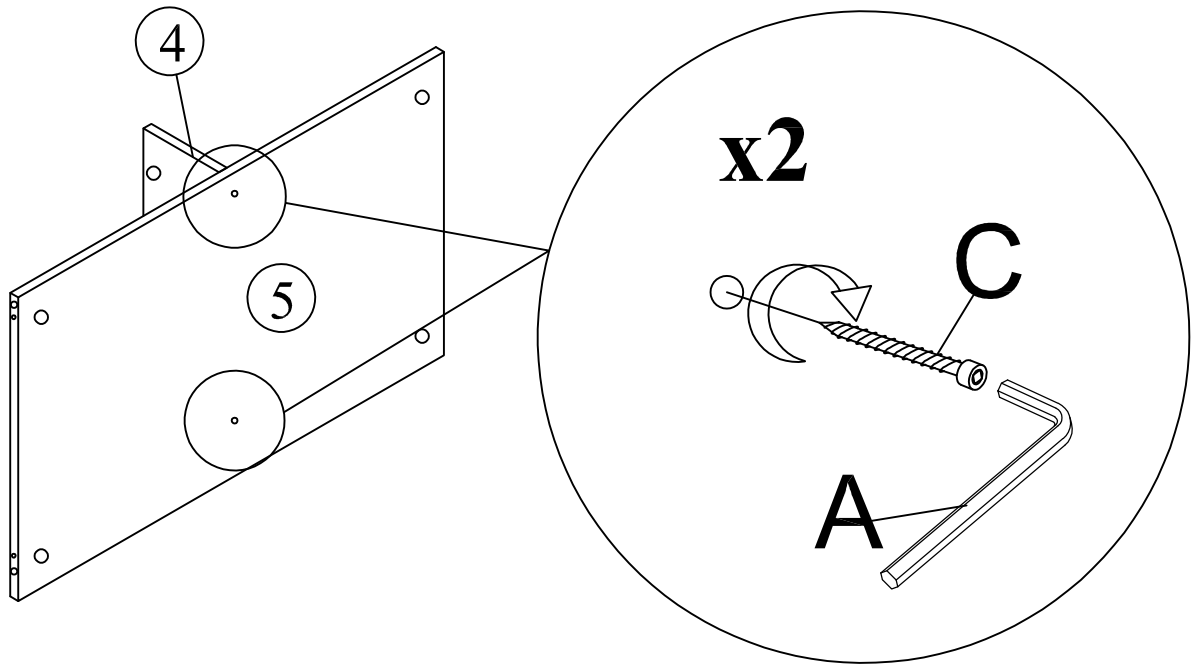
Step 1



Step 2

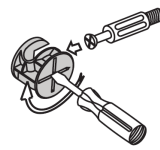


Step 3

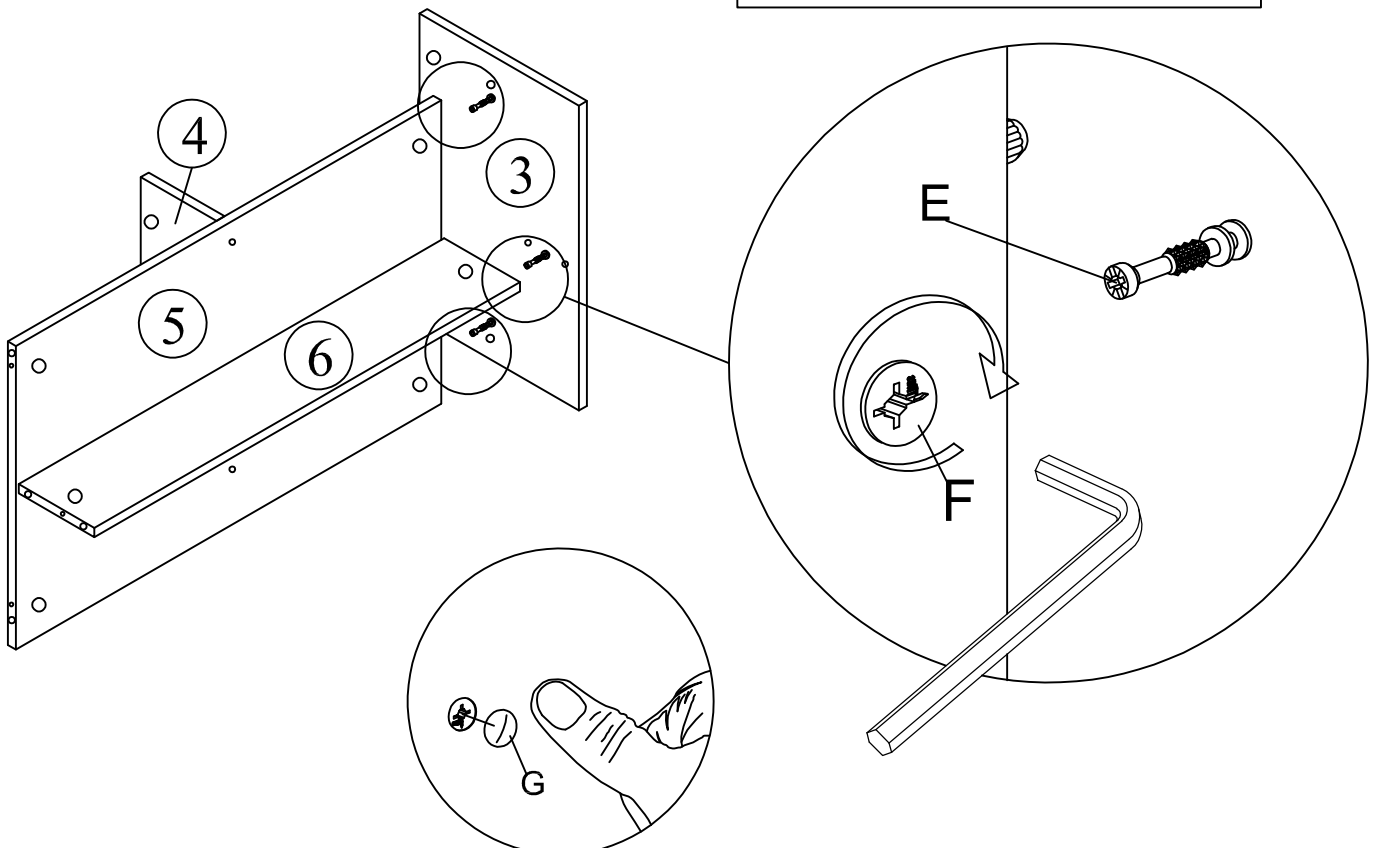


Step 4

This is how a mini fix works...



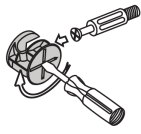
The head of the mini fix housing goes into the open mouth of the mini fix bolt. You then turn the mini fix housing so it tightens over the mini fix bolt.



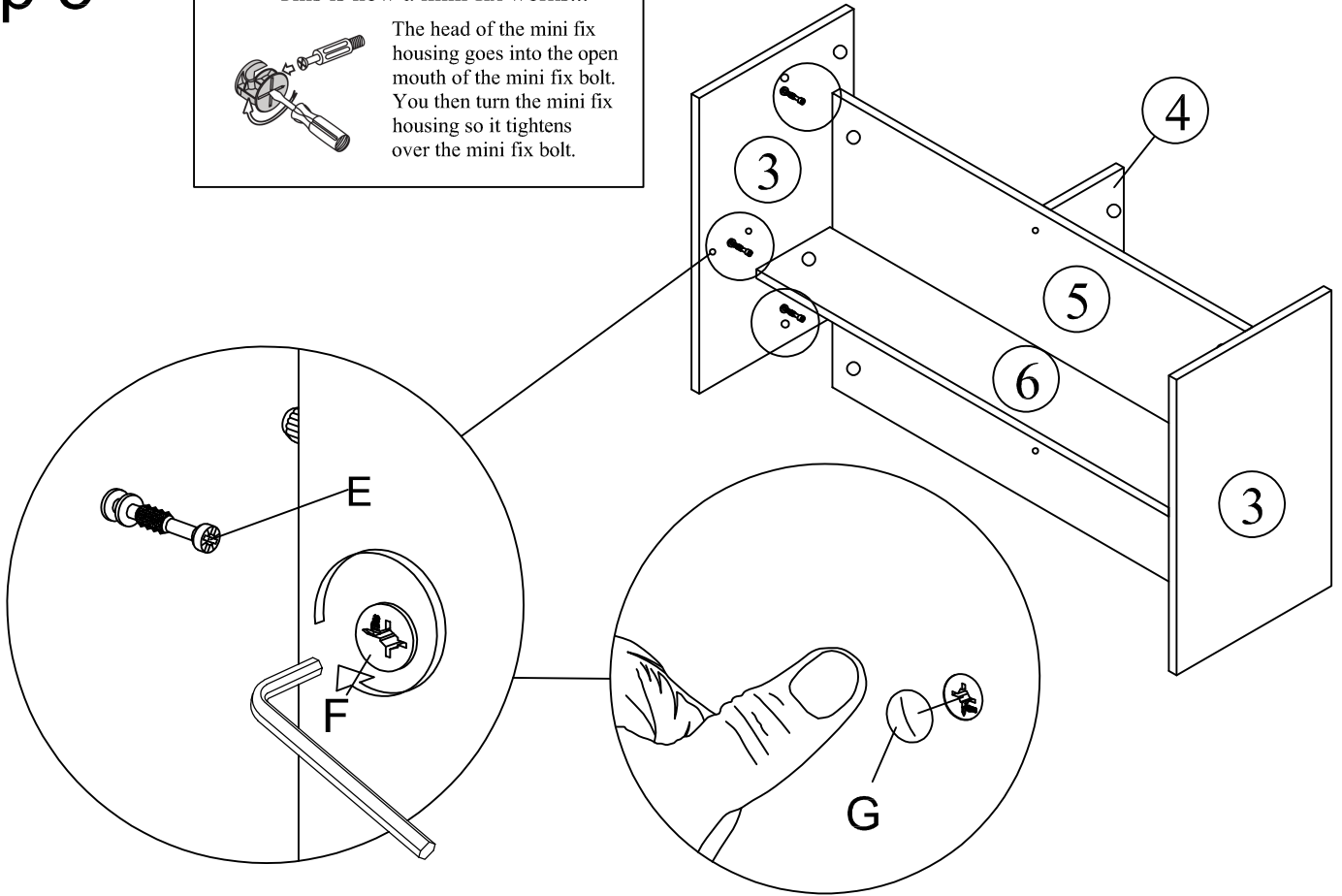
*Attach Minifix Cap as shown.

Step 5

This is how a mini fix works...



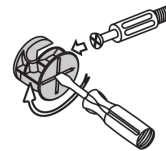
The head of the mini fix housing goes into the open mouth of the mini fix bolt. You then turn the mini fix housing so it tightens over the mini fix bolt.



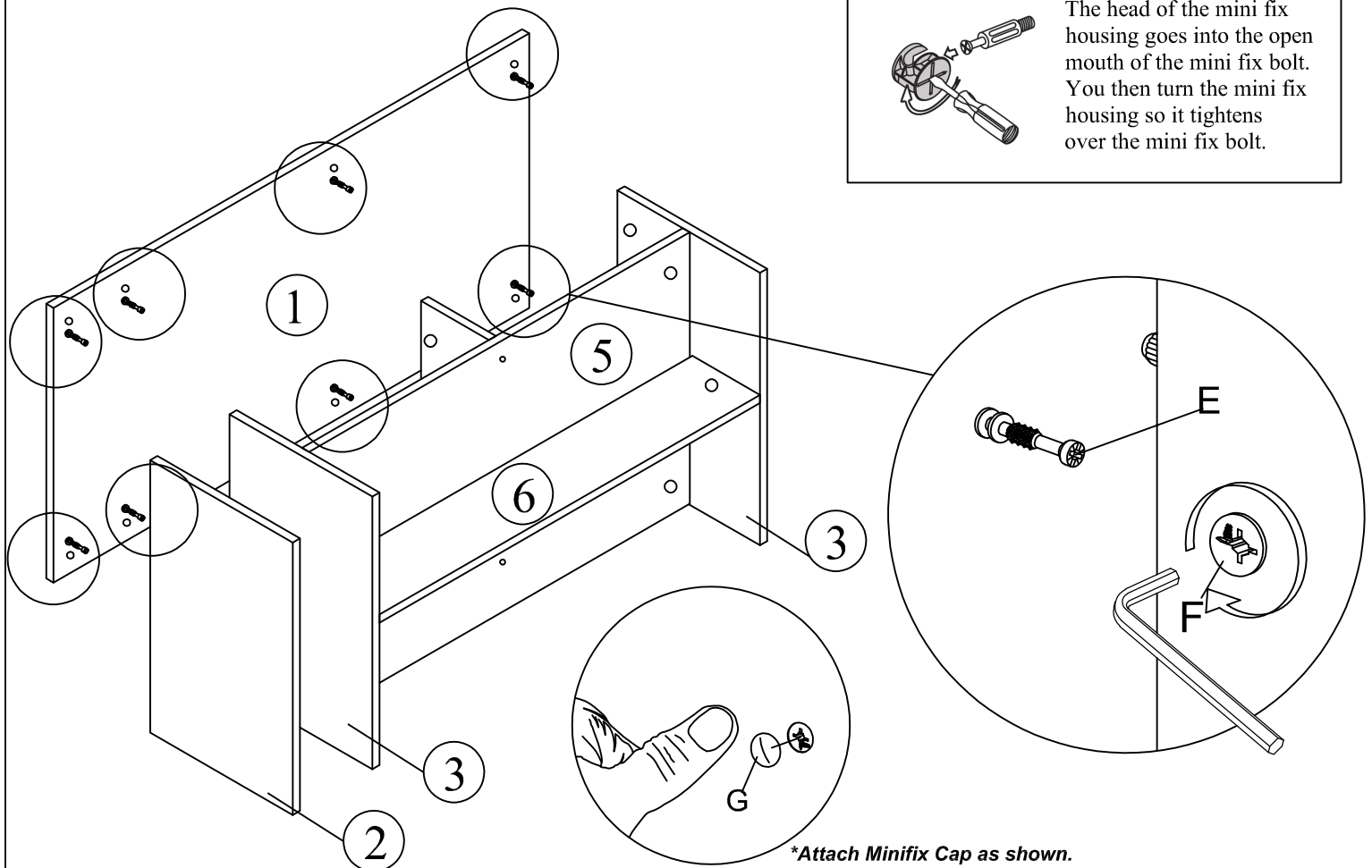
***Attach Minifix Cap as shown.**

Step 6

This is how a mini fix works...

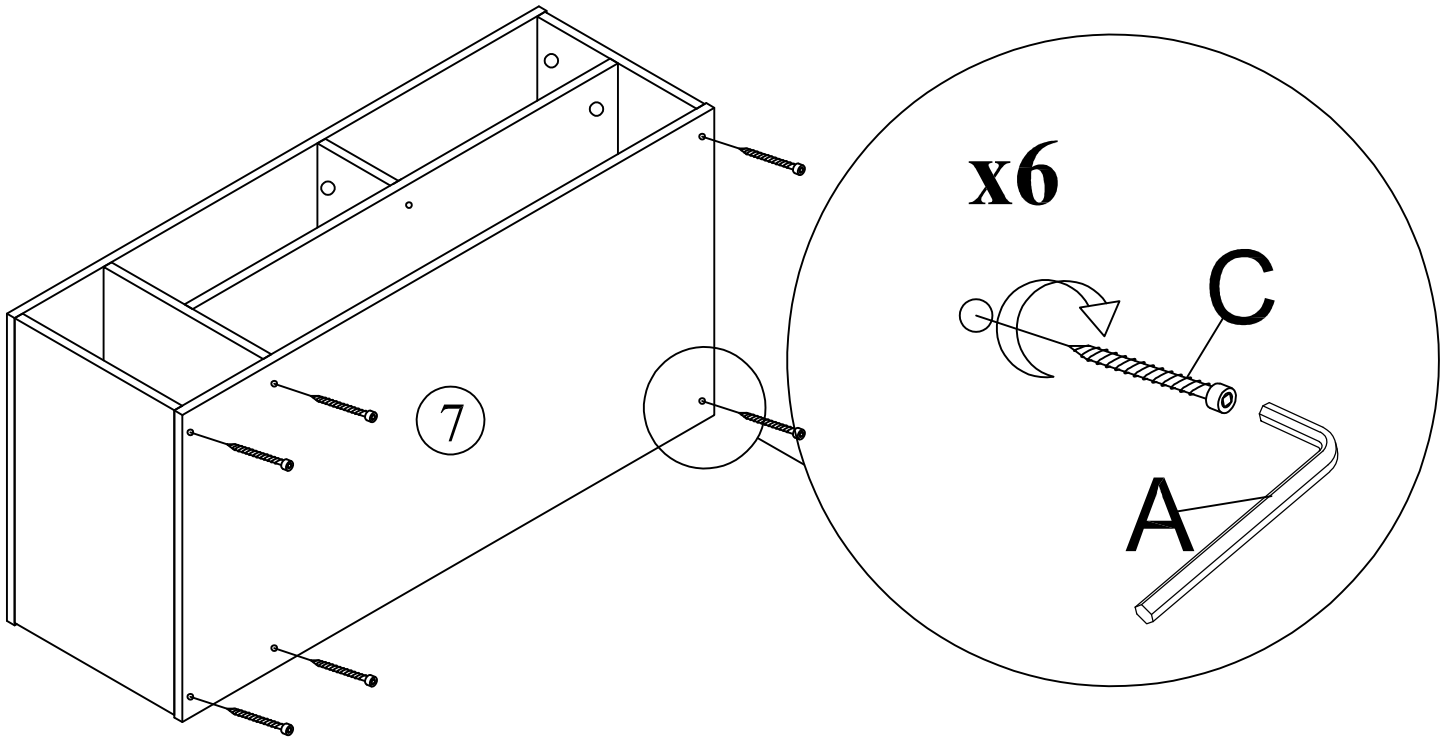


The head of the mini fix housing goes into the open mouth of the mini fix bolt. You then turn the mini fix housing so it tightens over the mini fix bolt.

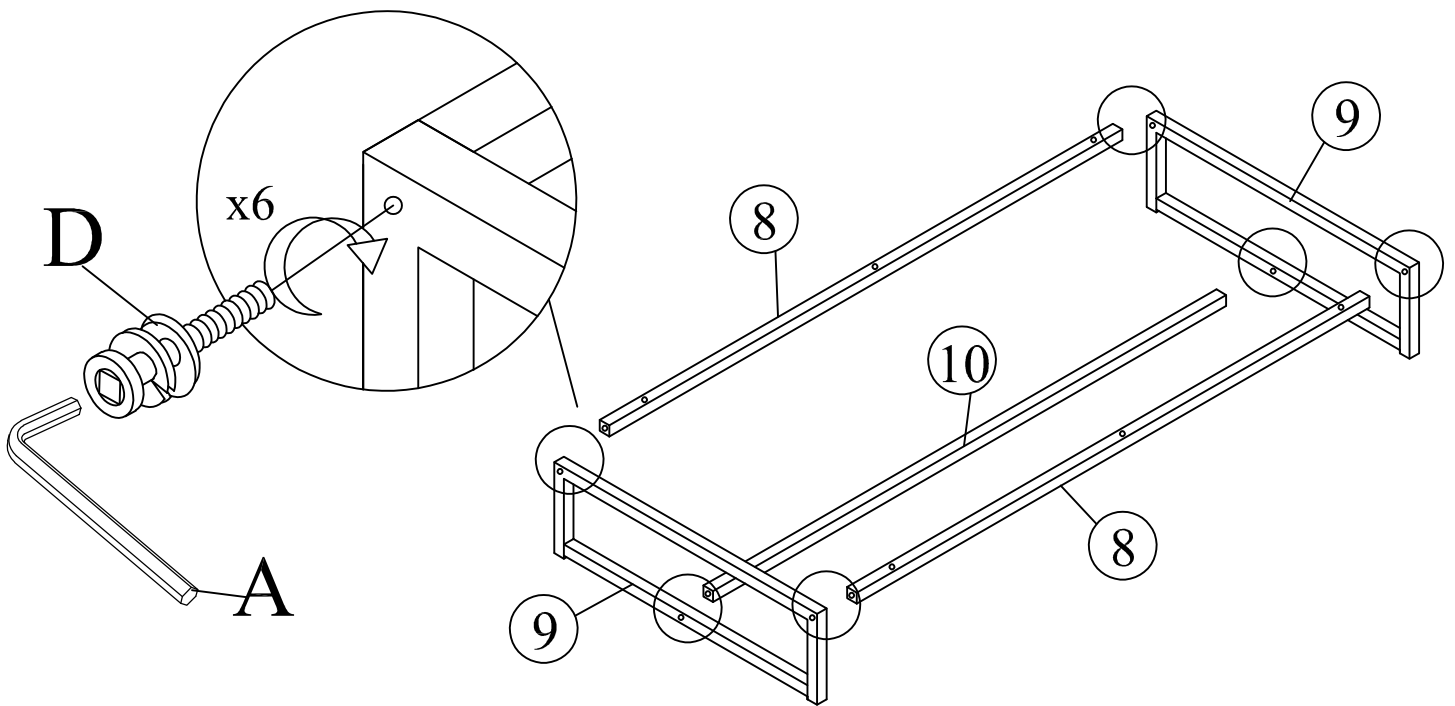


***Attach Minifix Cap as shown.**

Step 7



Step 8



Step 9

