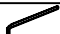







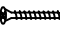
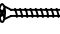
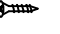


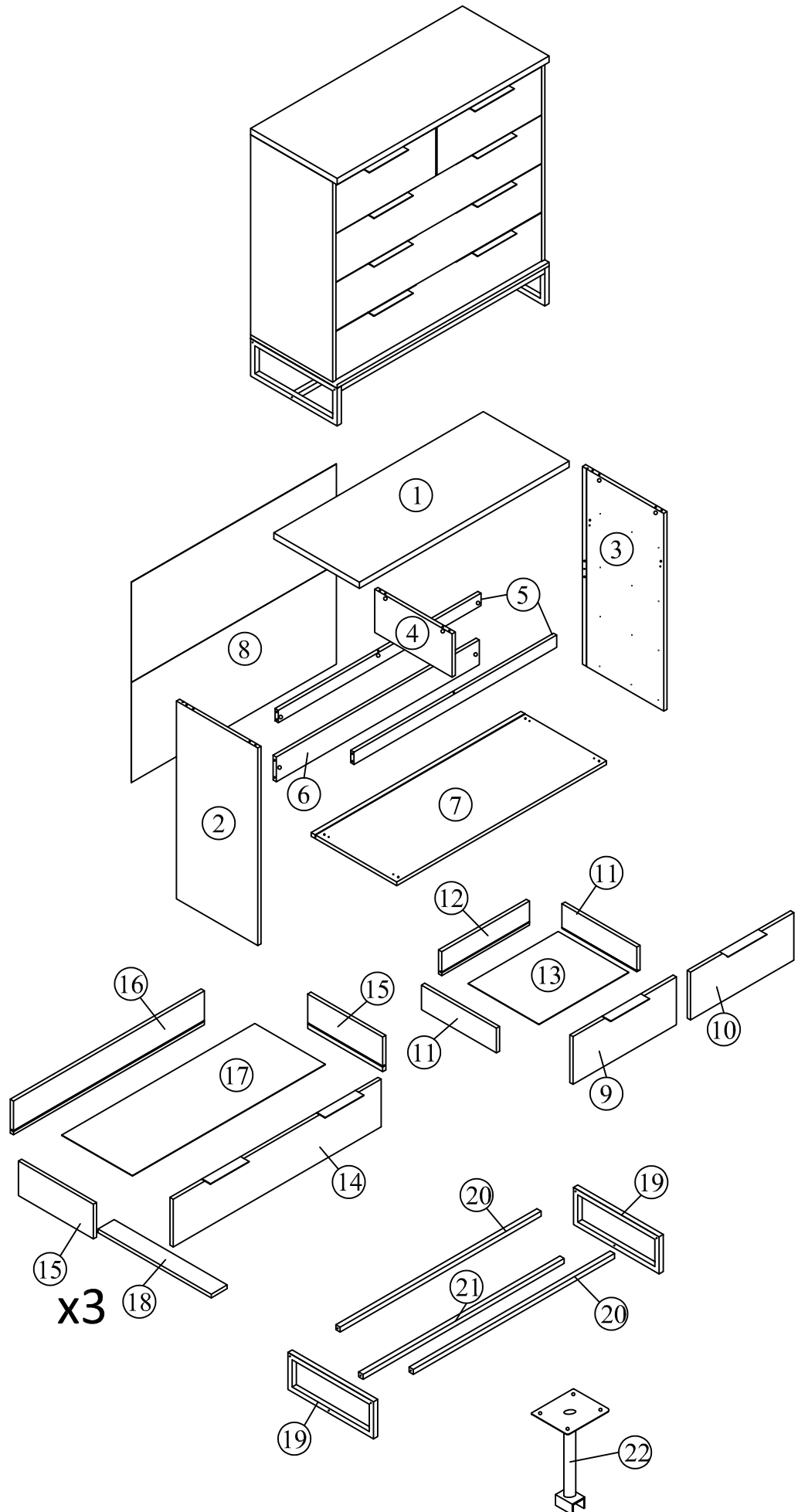


Assembly Instructions

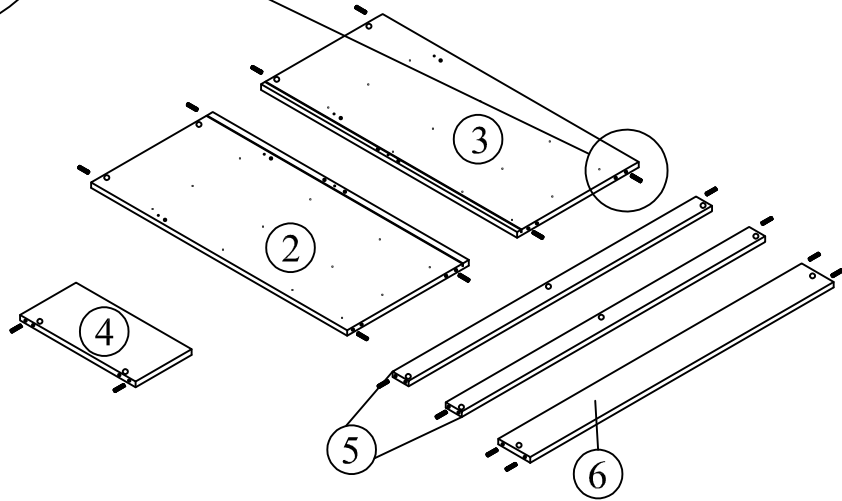
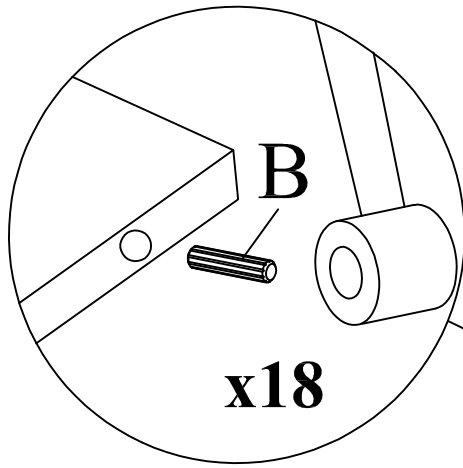
Model: CH 8002

NO.	DESCRIPTION	QTY
1	Top Panel	1
2	Left Side Panel	1
3	Right Side Panel	1
4	Middle Upper Panel	1
5	Middle Support Panel	2
6	Back Support Panel	1
7	Bottom Panel	1
8	Back Panel	1
9	Upper Drawer Front Panel (L)	1
10	Upper Drawer Front Panel (R)	1
11	Upper Drawer Side Panel	4
12	Upper Drawer Back Panel	2
13	Upper Drawer Bottom Panel	2
14	Below Drawer Front Panel	3
15	Below Drawer Side Panel	6
16	Below Drawer Back Panel	3
17	Below Drawer Bottom Panel	3
18	Drawer Support Bar	3
19	Metal Frame Legs	2
20	Metal Support Legs	2
21	Metal Center Legs	1
22	Support Legs	1

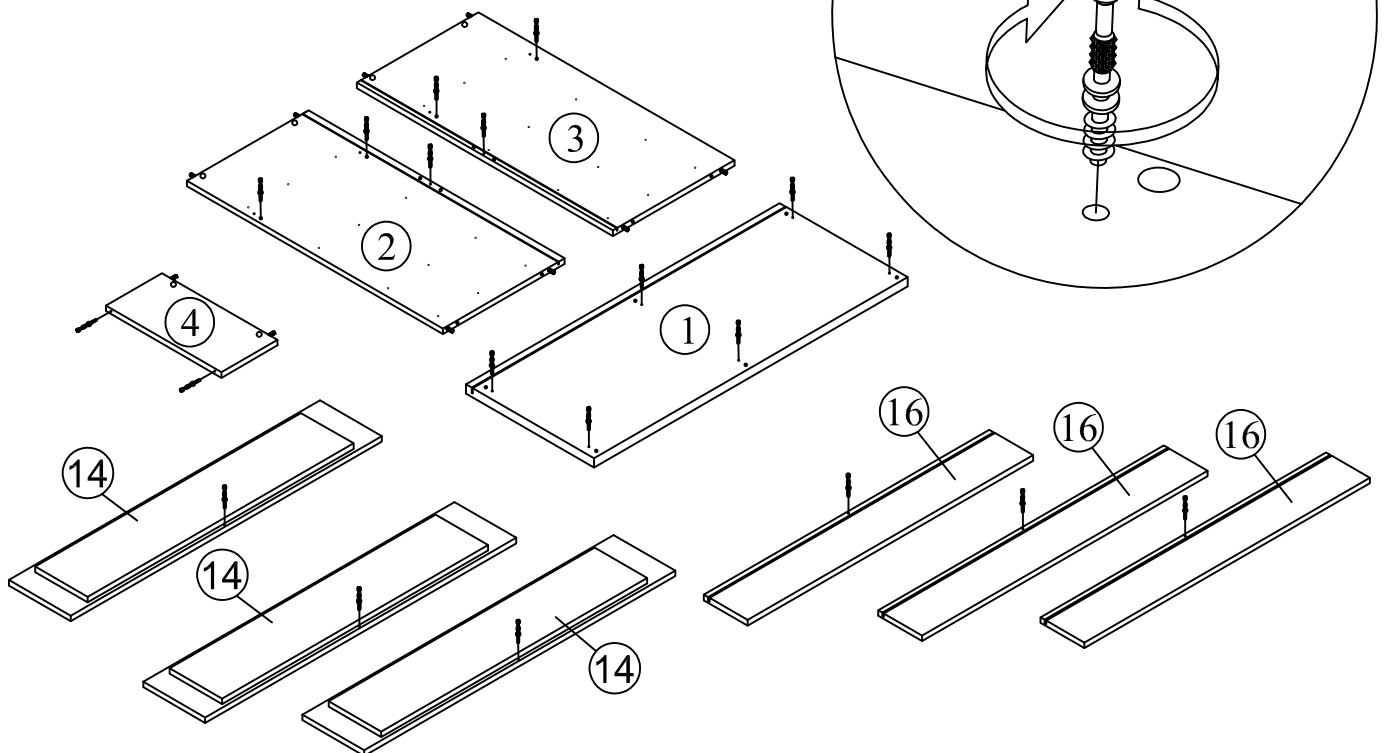
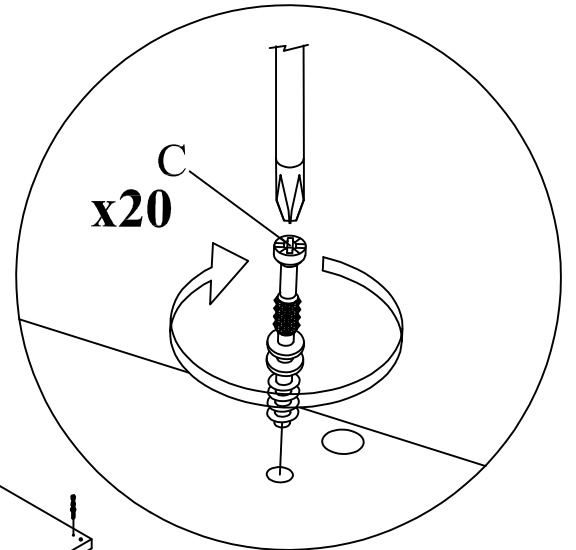
NO.	DESCRIPTION	QTY
A	 Allen Key M4	1
B	 Plastic Dowel	18
C	 Mini Fix Bolt	20
D	 Mini Fix Housing	20
E	 Mini Fix Cap	20
F	 JCBC W Screw M6x40	4
G	 L Bar Handle	8
H	 JCBC Screw M6x50 Flat & Spring Washers	6
I	 CSK Screw M4x32mm	6
J	 CSK Screw M4x50mm	40
K	 CSK Screw M3.5x16mm	88
L	 L Bracket	4
M	 14" Drawer Slide	5



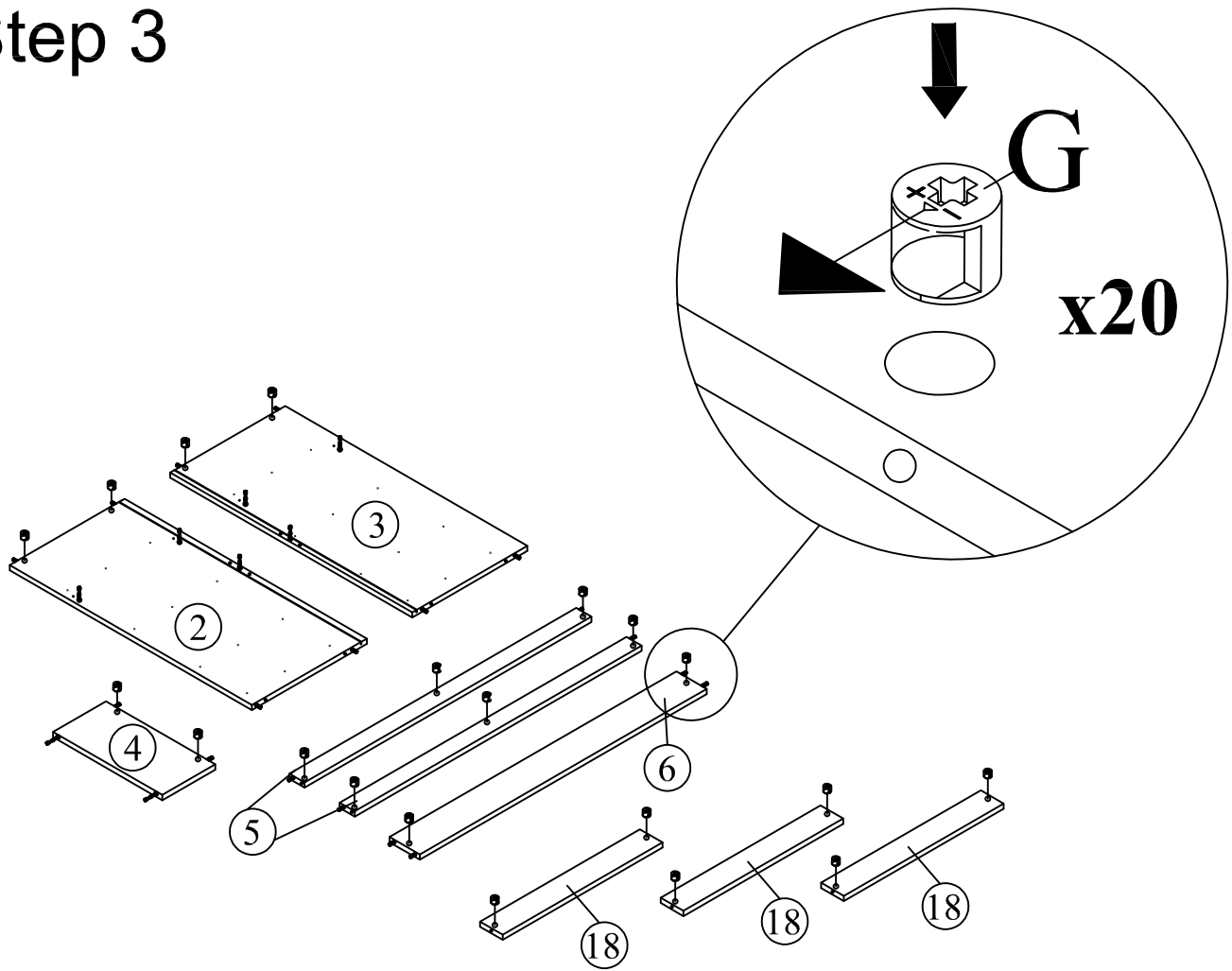
Step 1



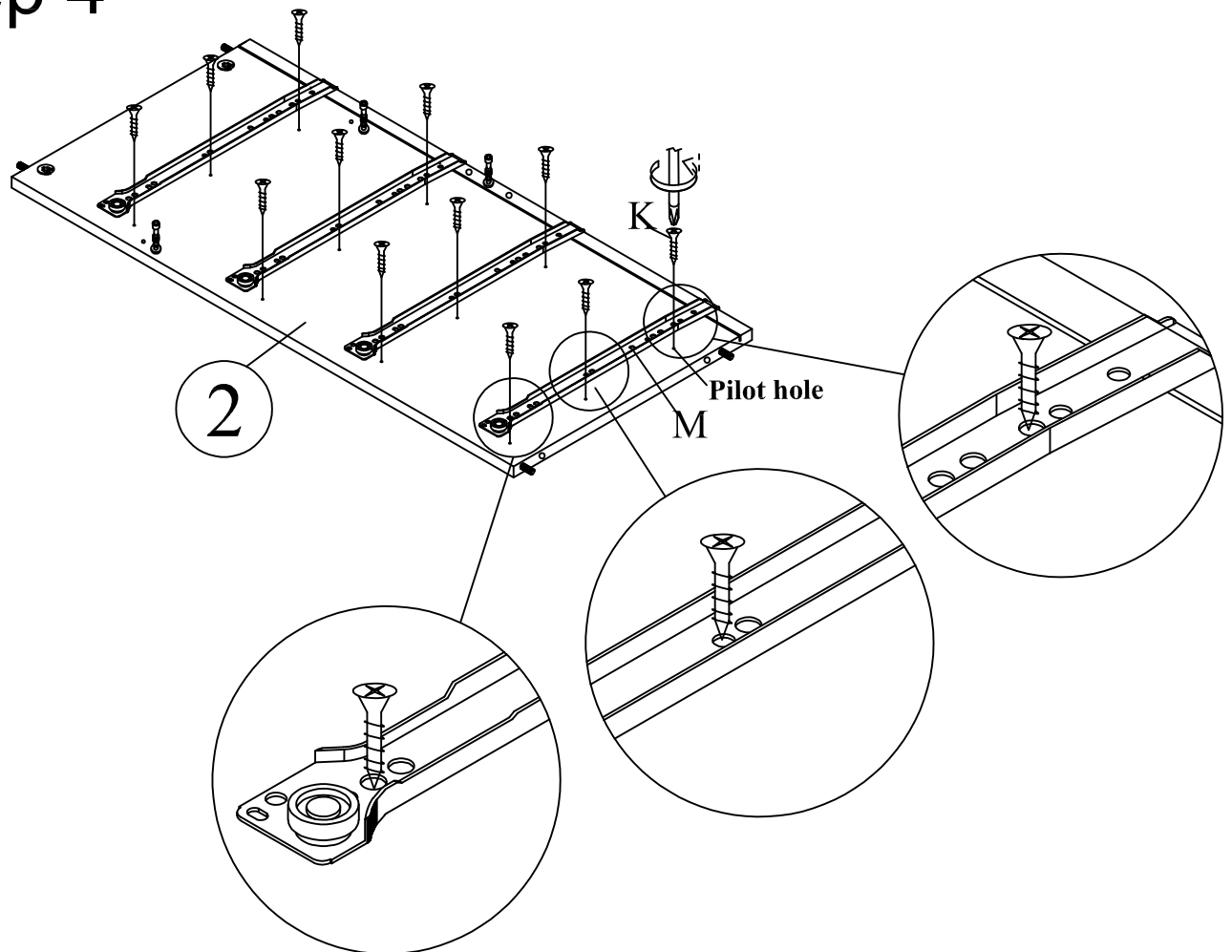
Step 2



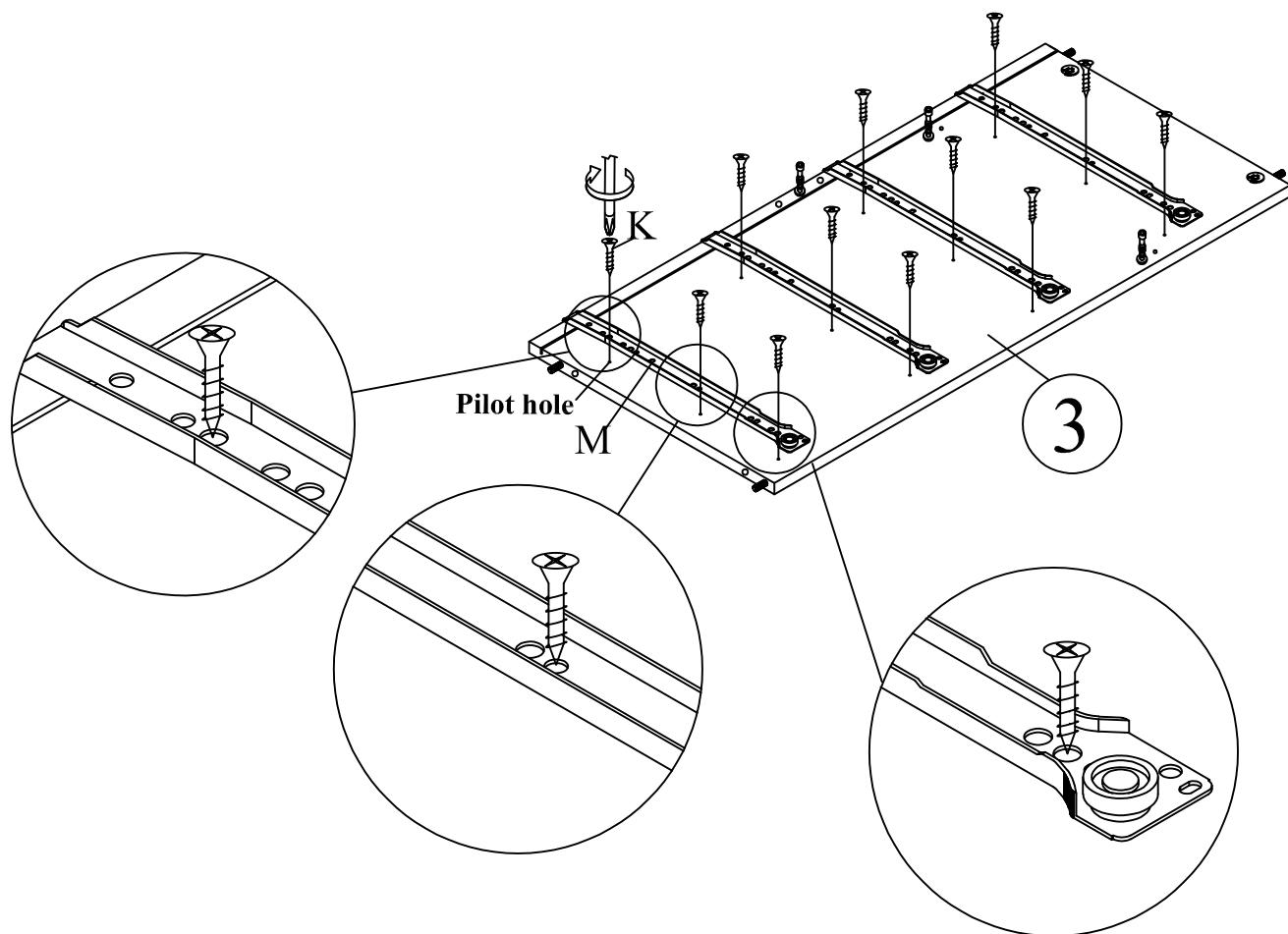
Step 3



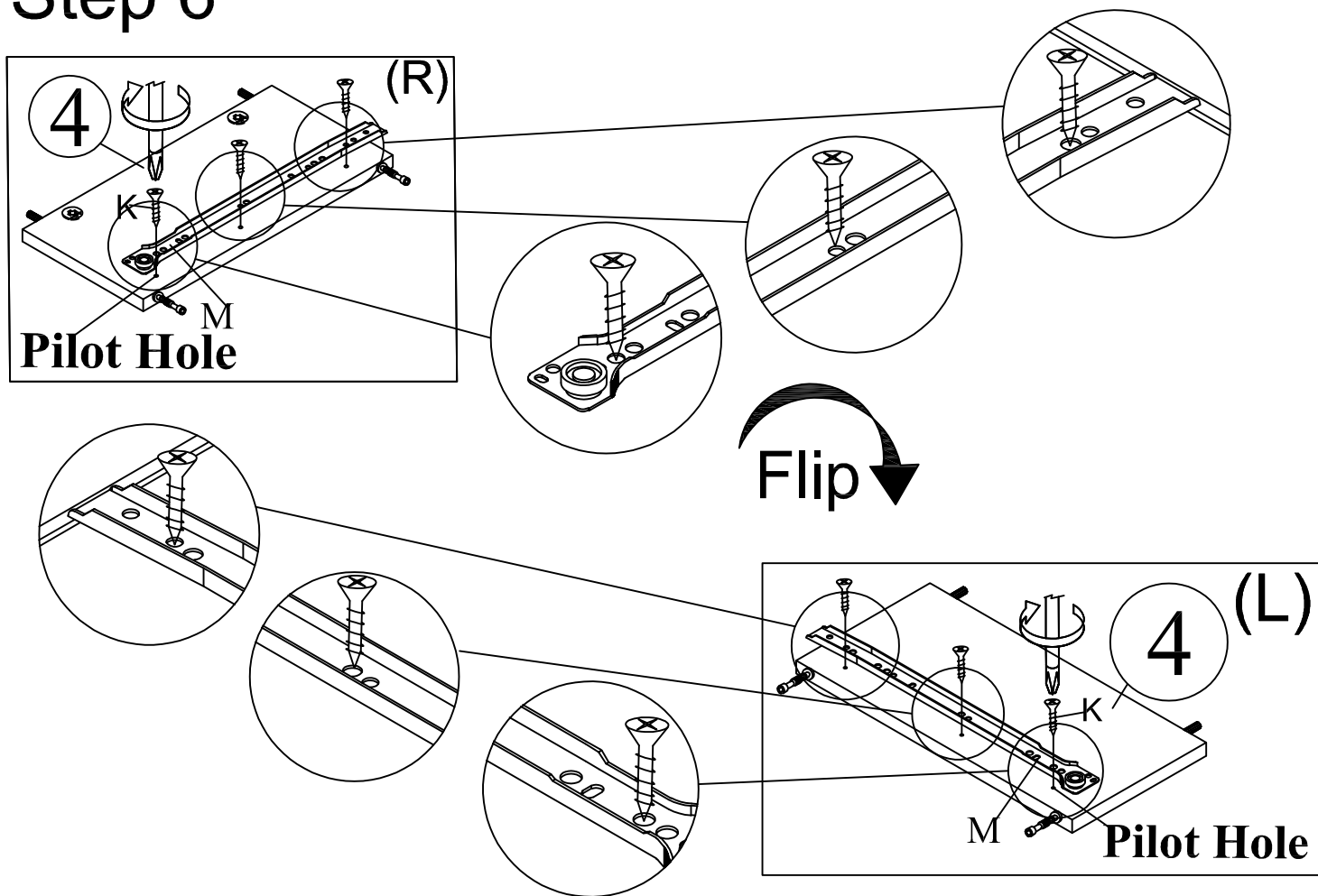
Step 4



Step 5



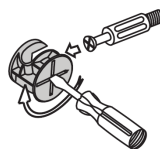
Step 6



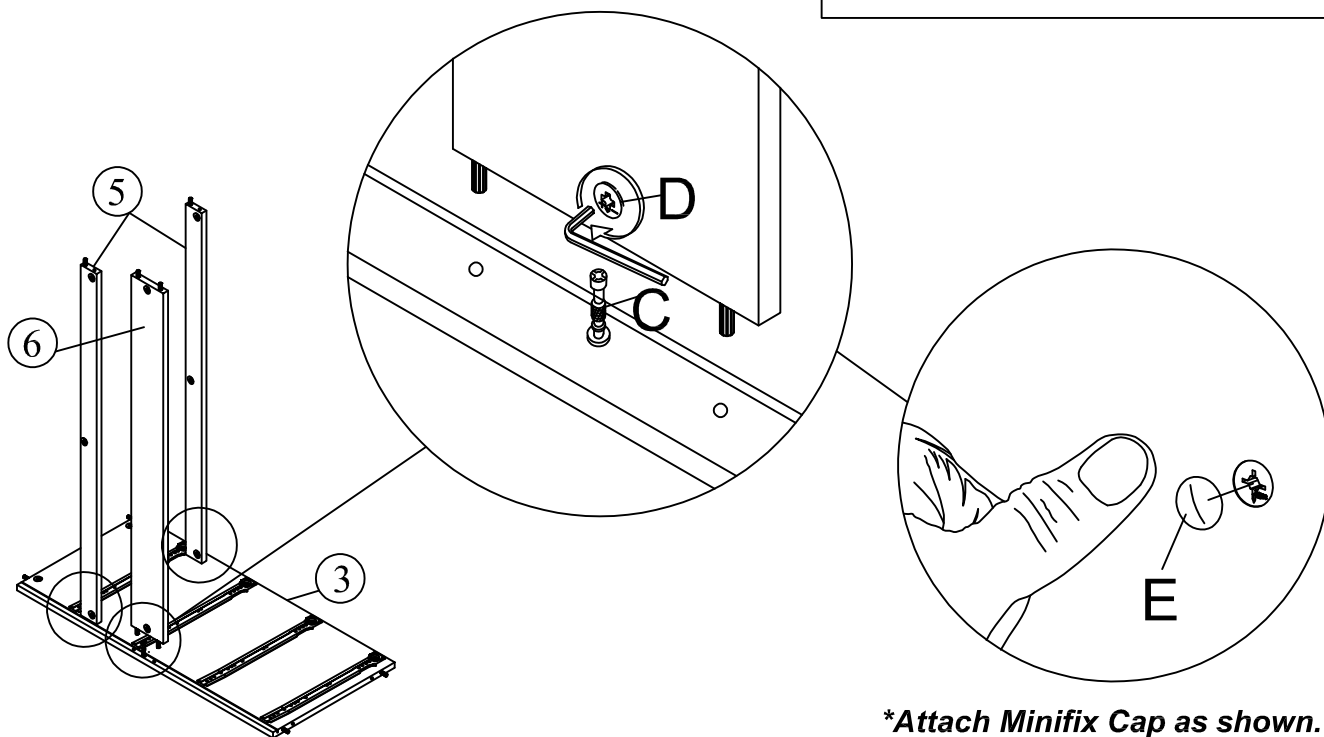
Step 7

Back View

This is how a mini fix works...



The head of the mini fix housing goes into the open mouth of the mini fix bolt. You then turn the mini fix housing so it tightens over the mini fix bolt.

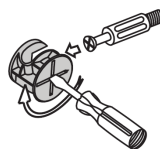


***Attach Minifix Cap as shown.**

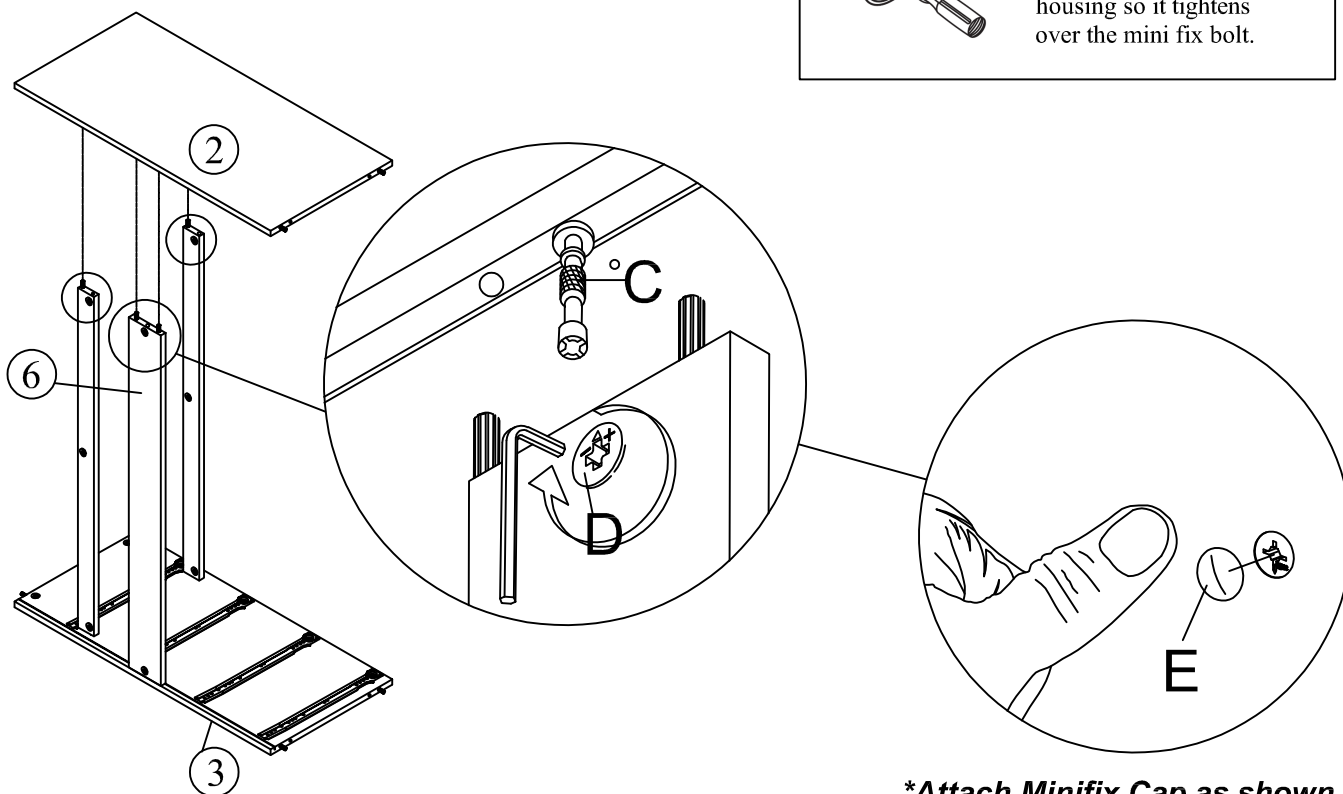
Step 8

Back View

This is how a mini fix works...



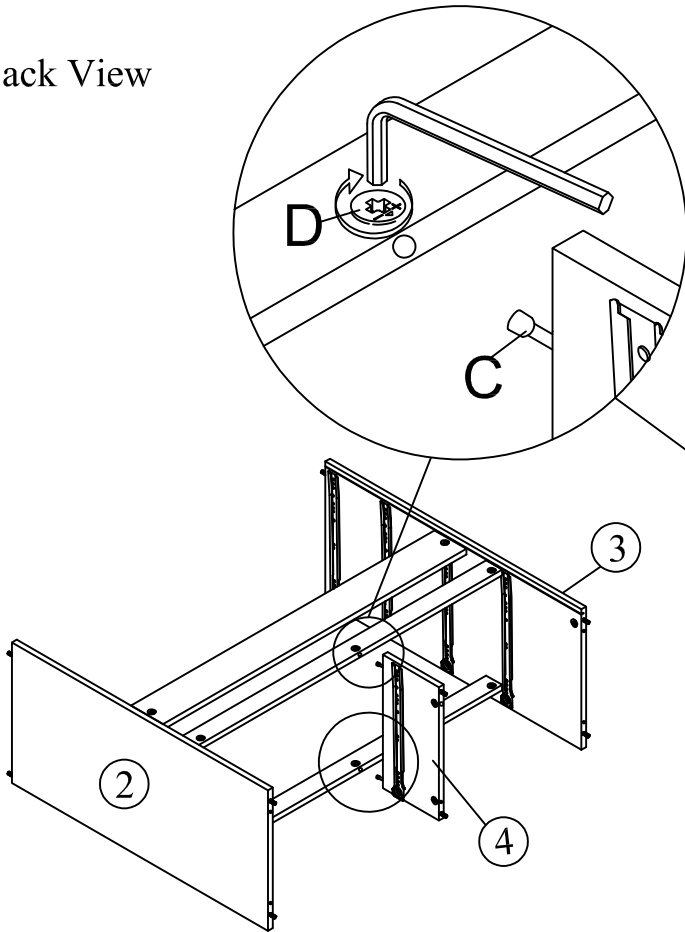
The head of the mini fix housing goes into the open mouth of the mini fix bolt. You then turn the mini fix housing so it tightens over the mini fix bolt.



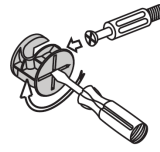
***Attach Minifix Cap as shown.**

Step 9

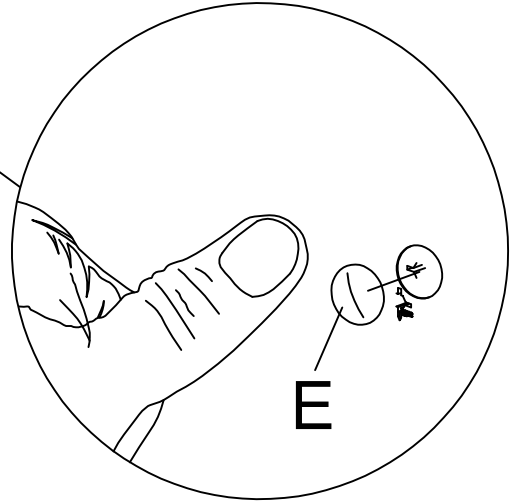
Back View



This is how a mini fix works...



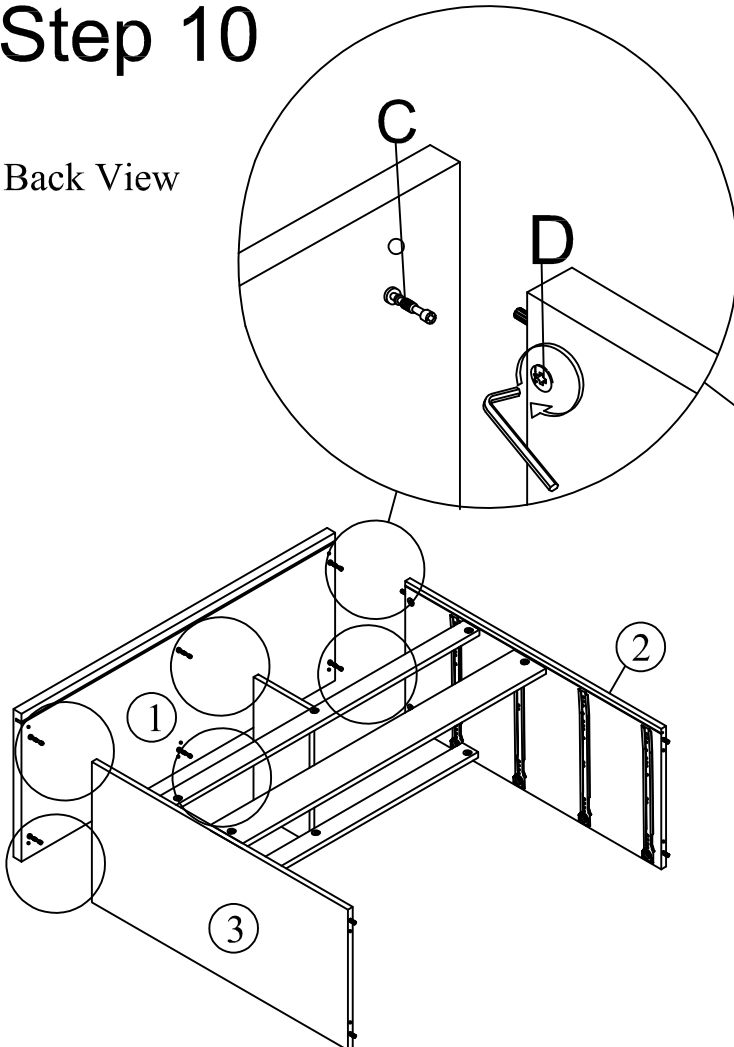
The head of the mini fix housing goes into the open mouth of the mini fix bolt. You then turn the mini fix housing so it tightens over the mini fix bolt.



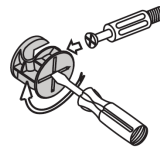
****Attach Minifix Cap as shown.***

Step 10

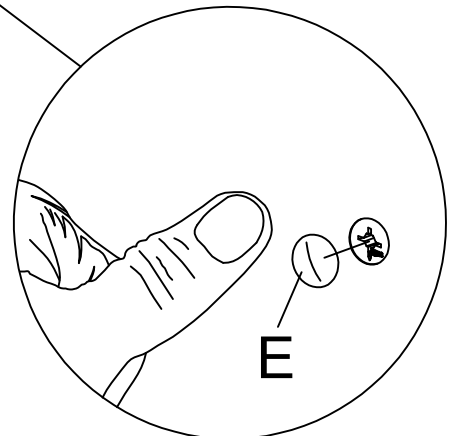
Back View



This is how a mini fix works...



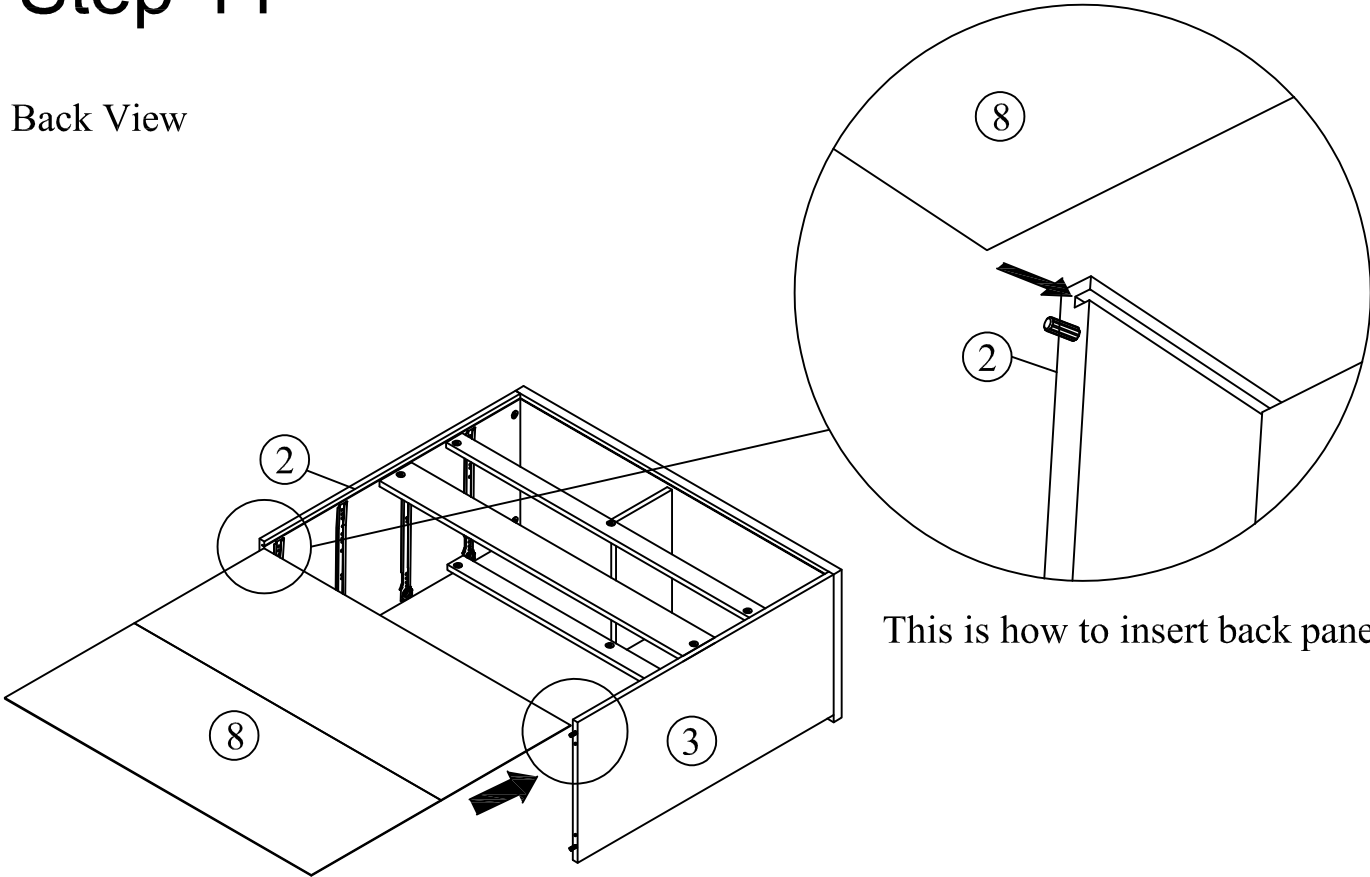
The head of the mini fix housing goes into the open mouth of the mini fix bolt. You then turn the mini fix housing so it tightens over the mini fix bolt.



****Attach Minifix Cap as shown.***

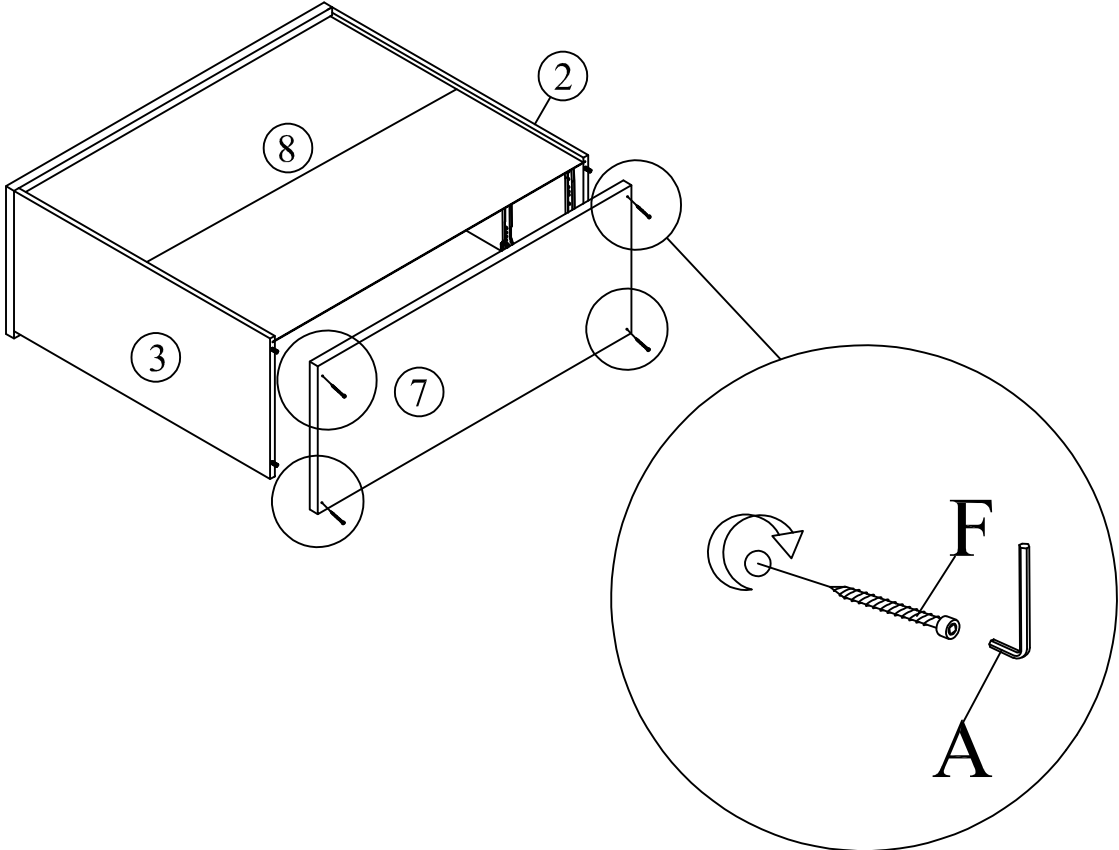
Step 11

Back View



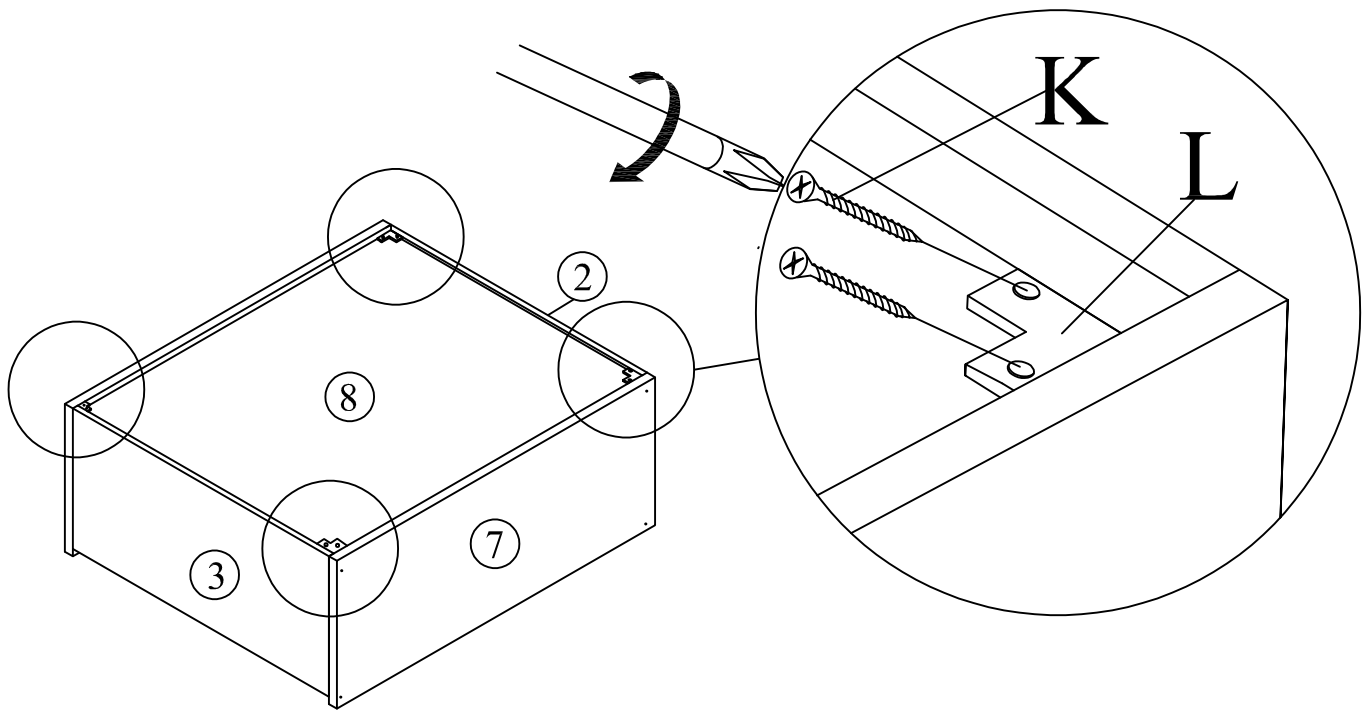
Step 12

Back View



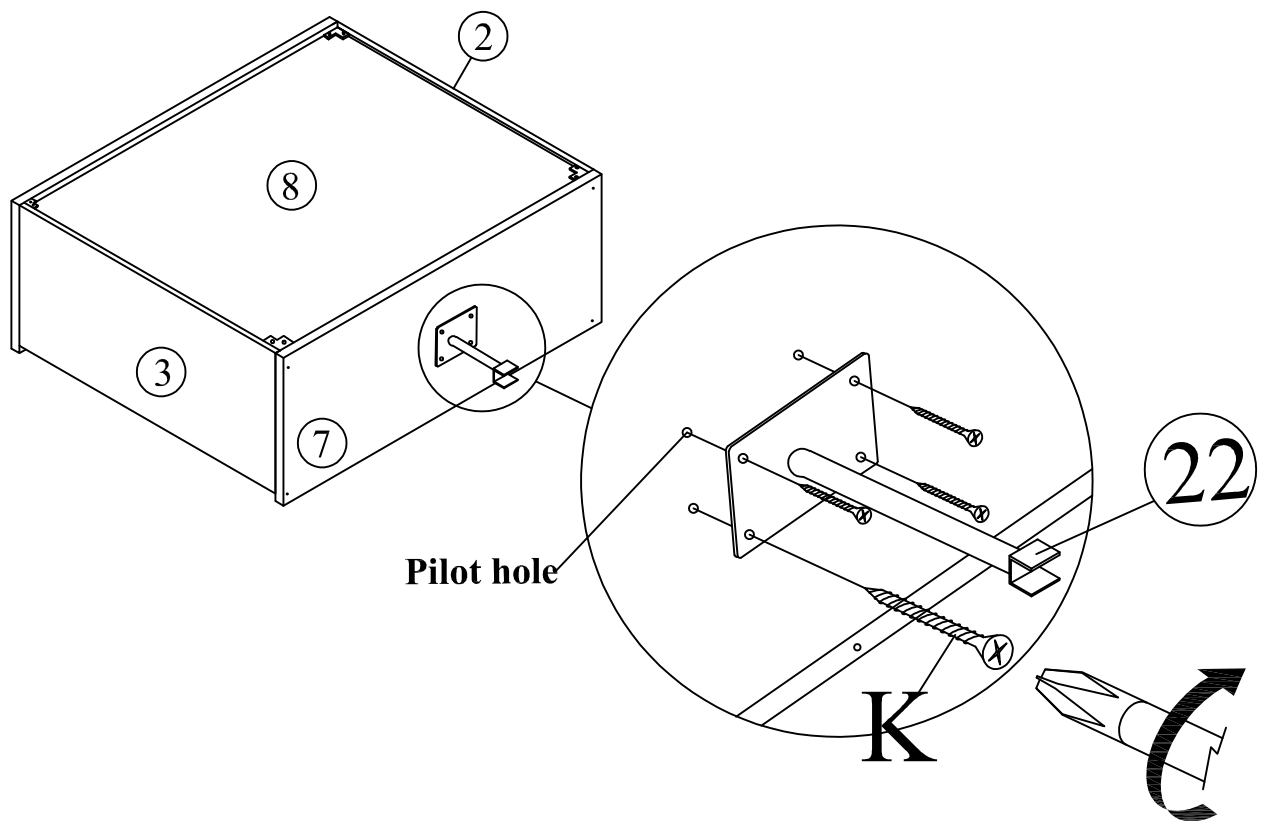
Step 13

Back View

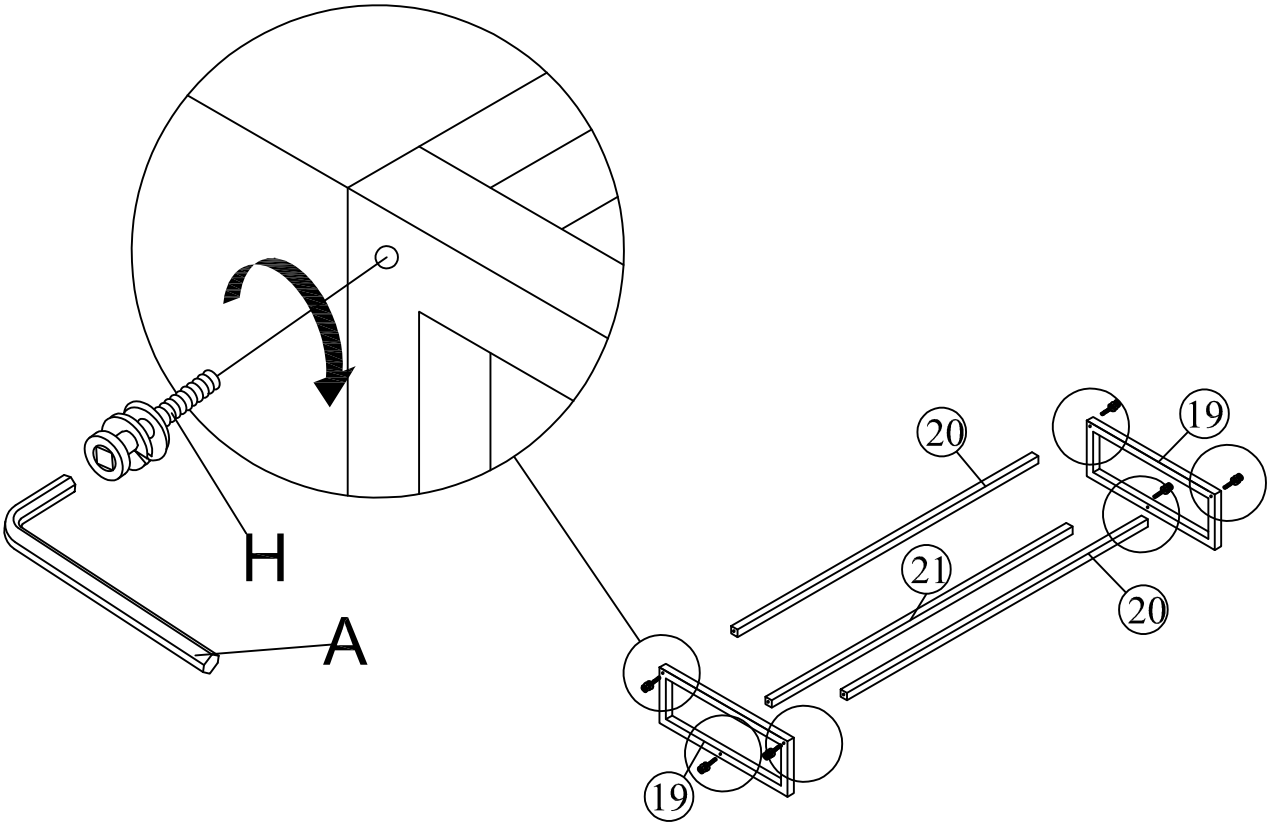


Step 14

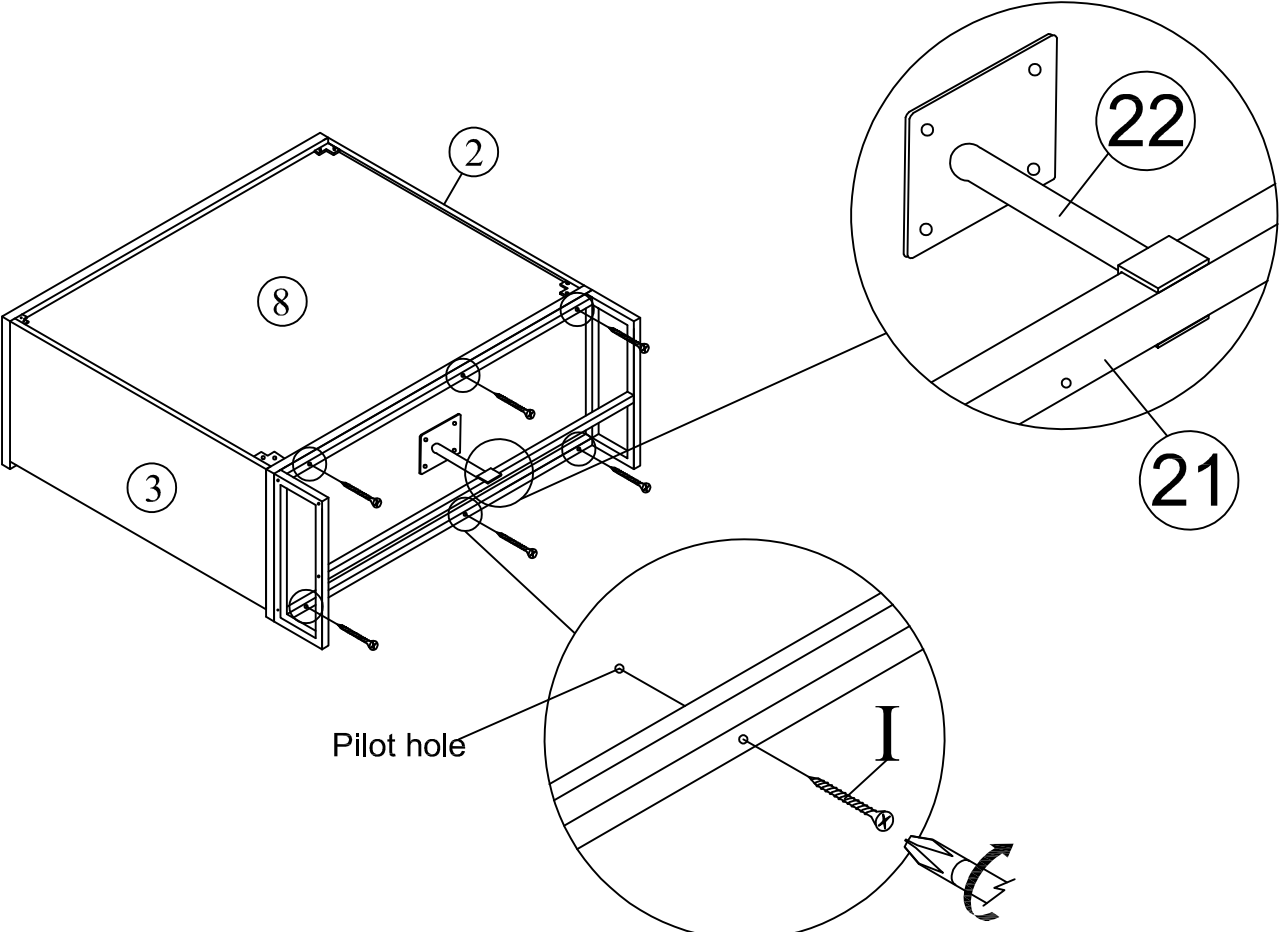
Back View



Step 15



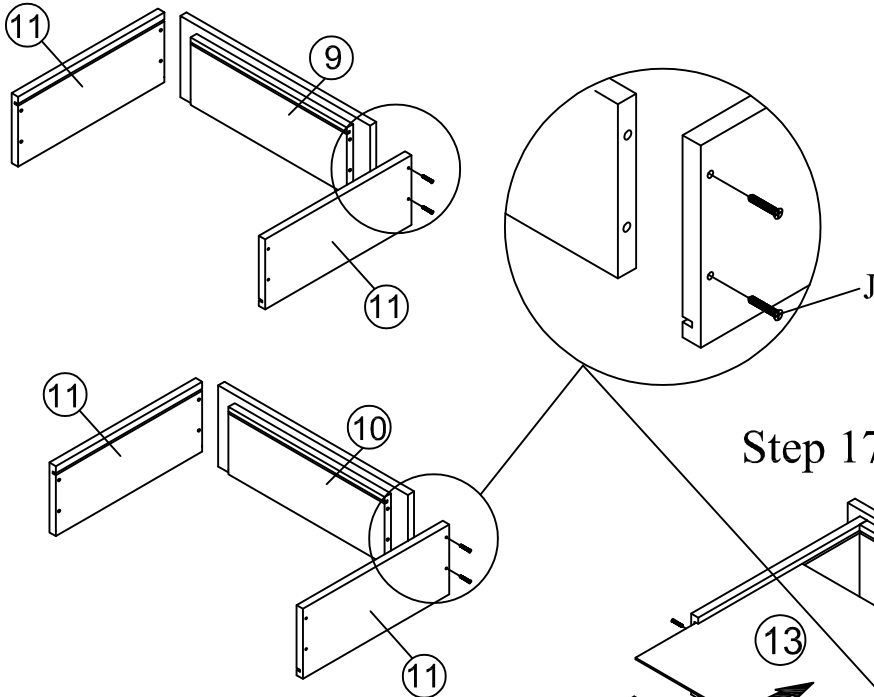
Step 16



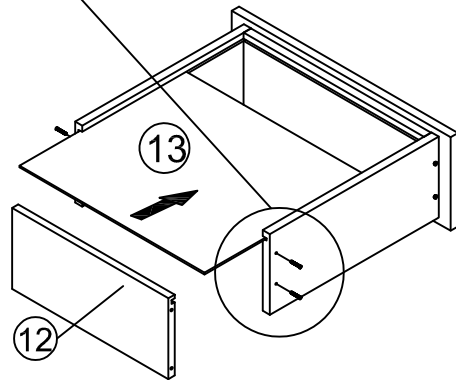
Step 17

x2

Step 17.1

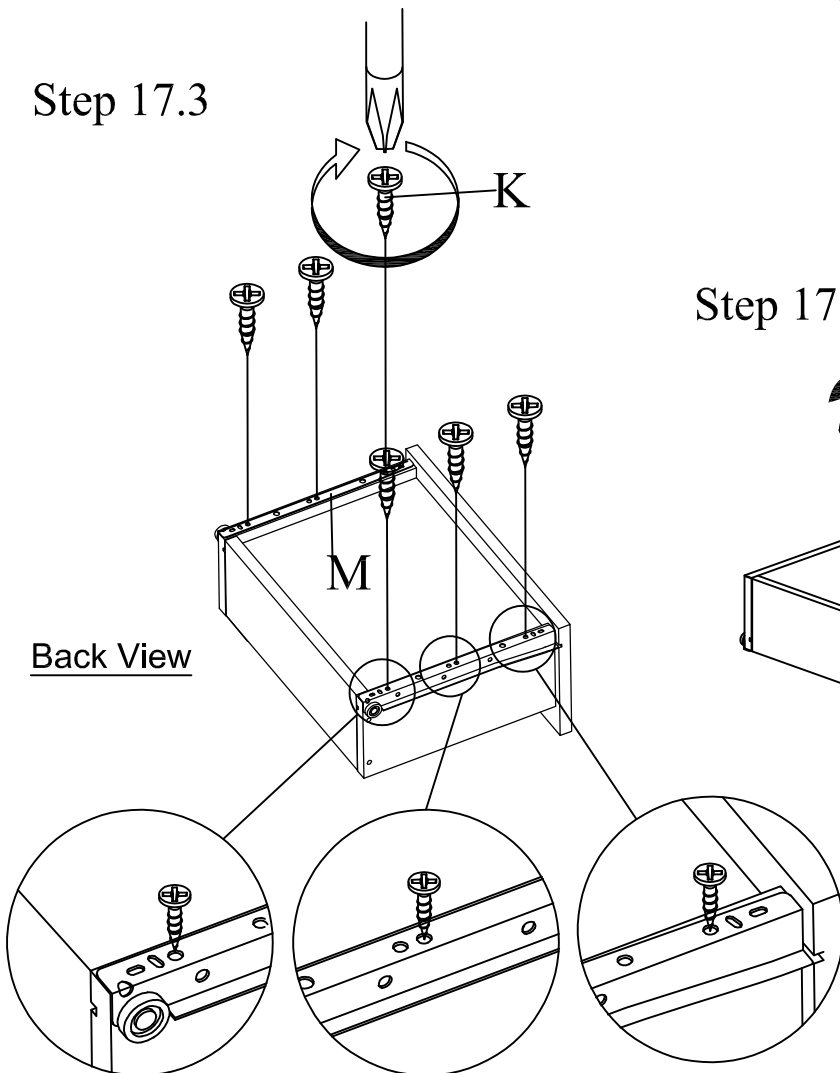


Step 17.2



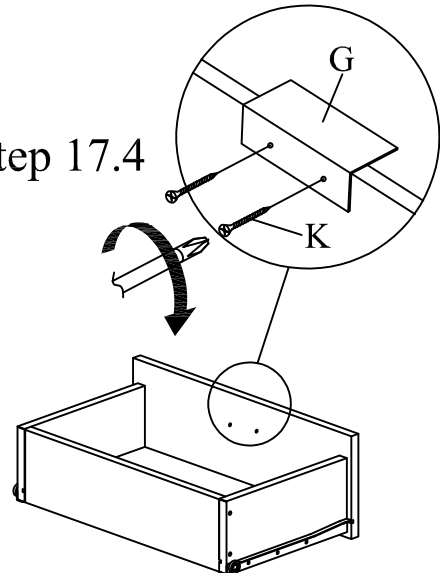
Back View

Step 17.3



Back View

Step 17.4

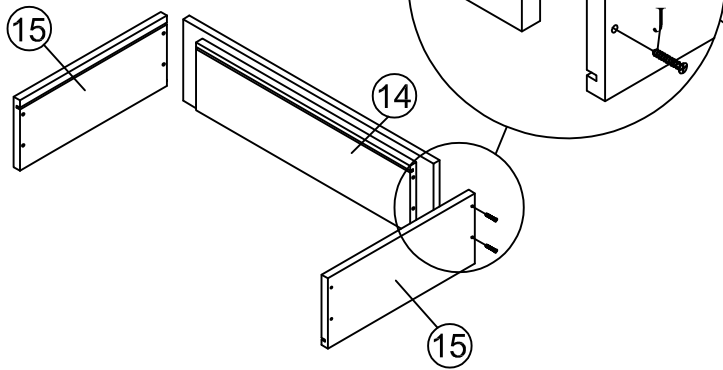


Back View

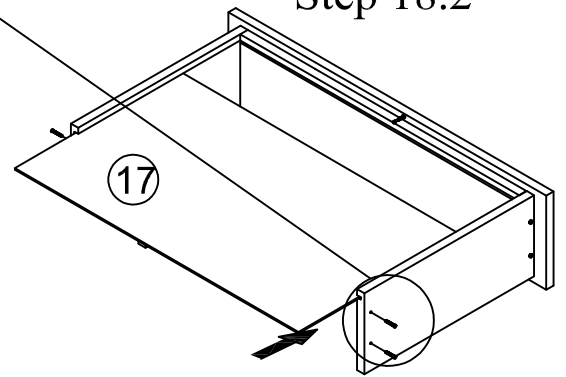
Step 18

x3

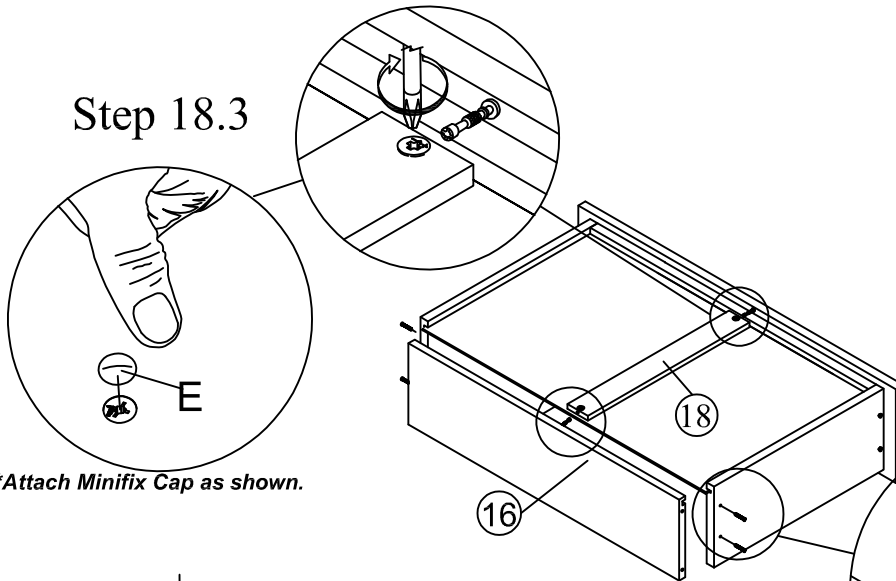
Step 18.1



Step 18.2

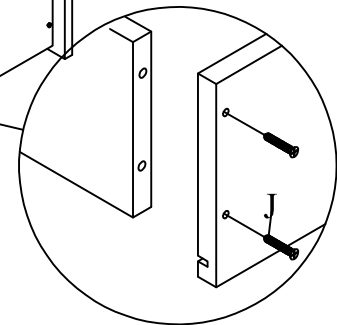


Step 18.3

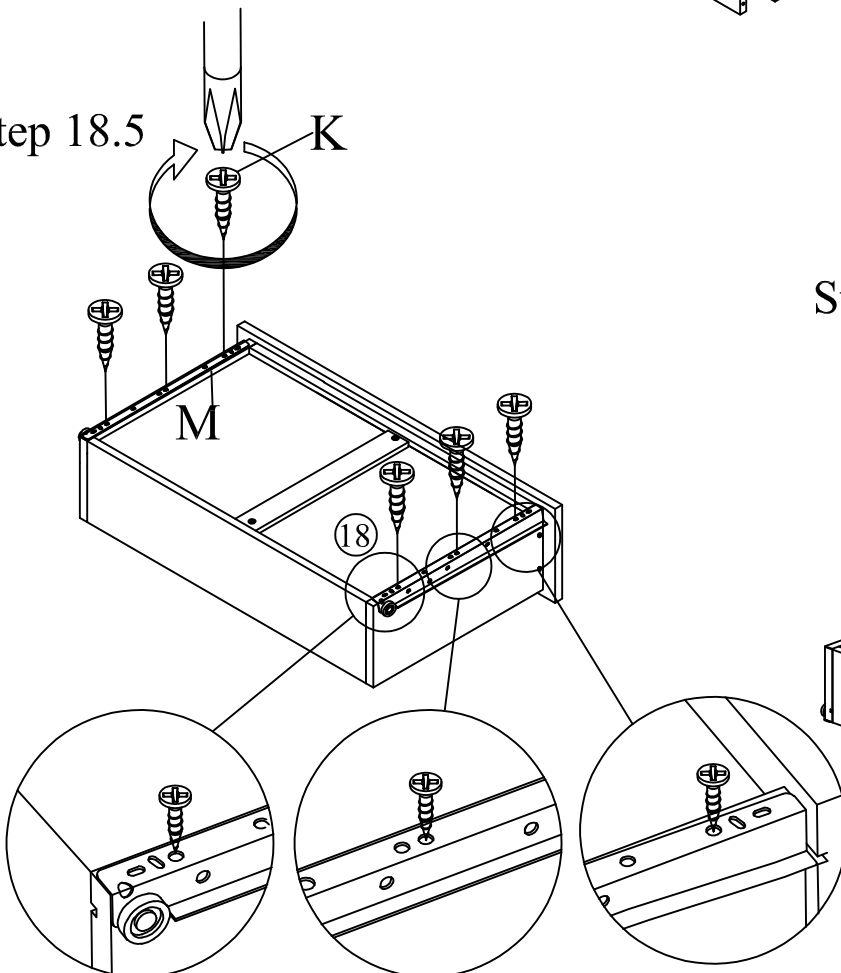


*Attach Minifix Cap as shown.

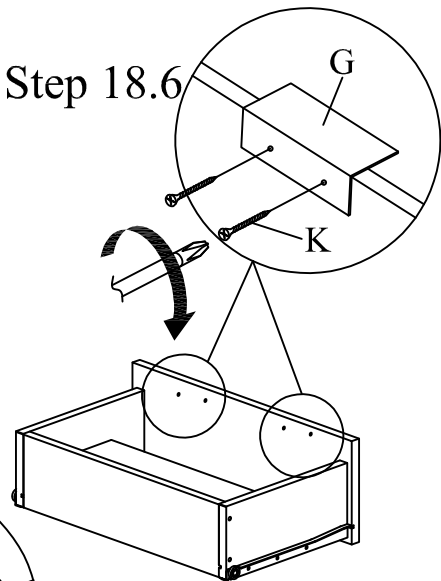
Step 18.4



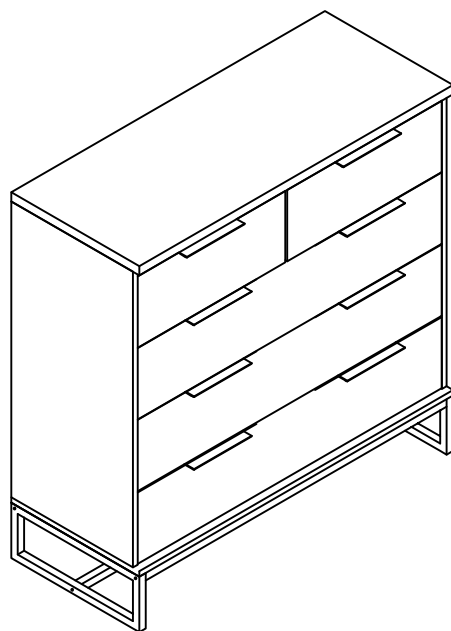
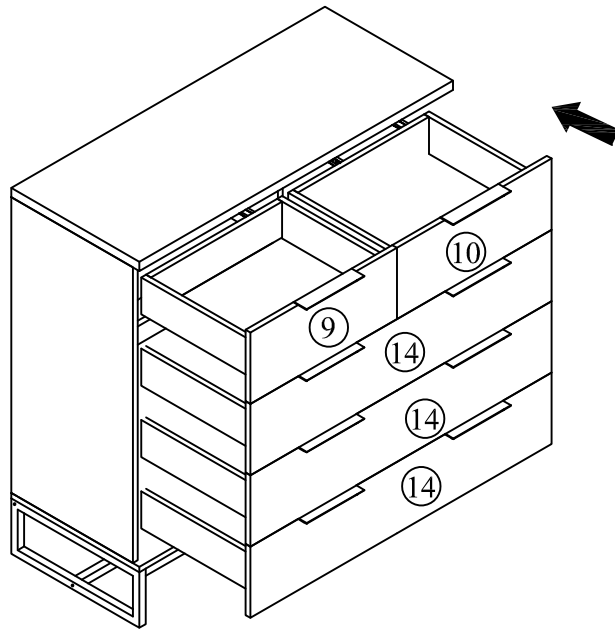
Step 18.5



Step 18.6



Step 19



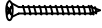
Anti -
Tipping

(A)



CSK Screw
M3.5x16mm
1PC

(B)



CSK Screw
M4x50mm
1PC

(C)

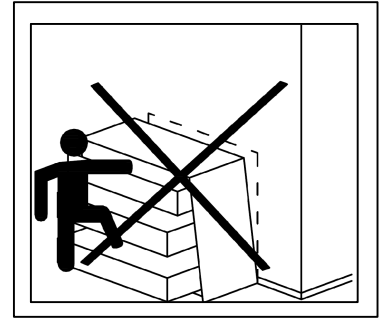
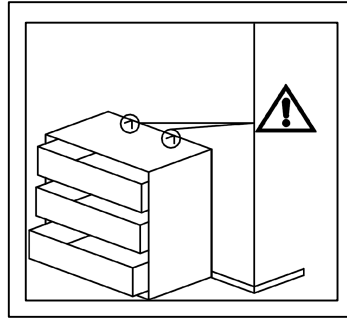


L BRACKET
2PCS

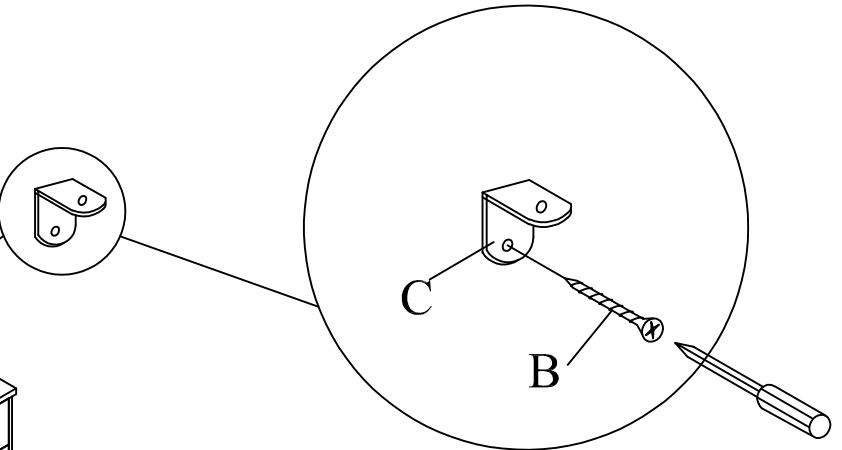
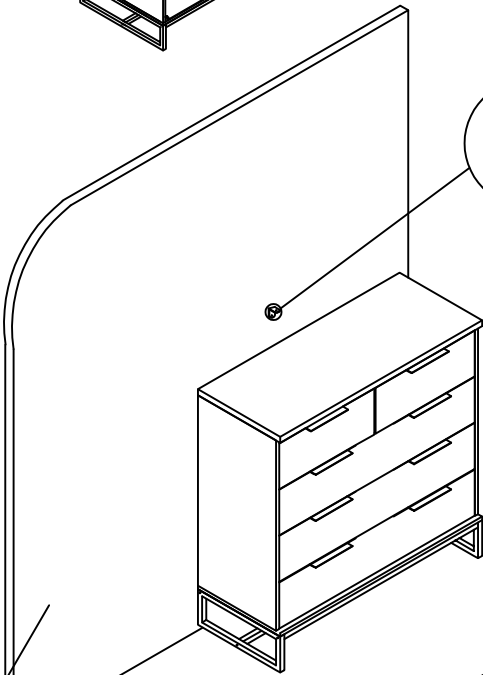
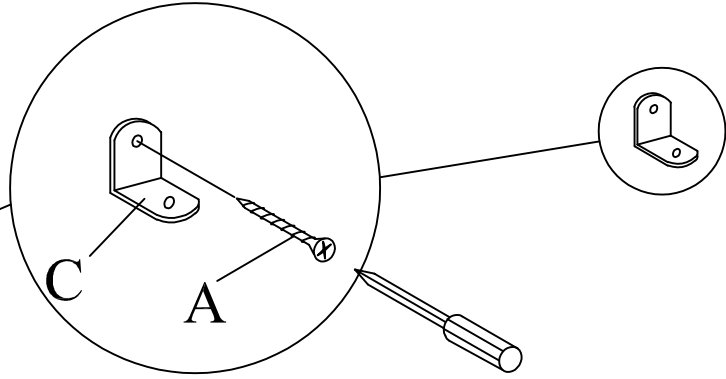
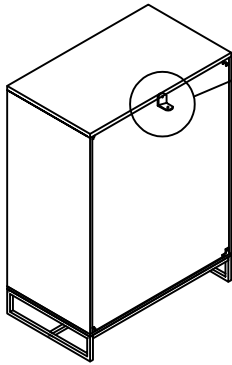
(D)



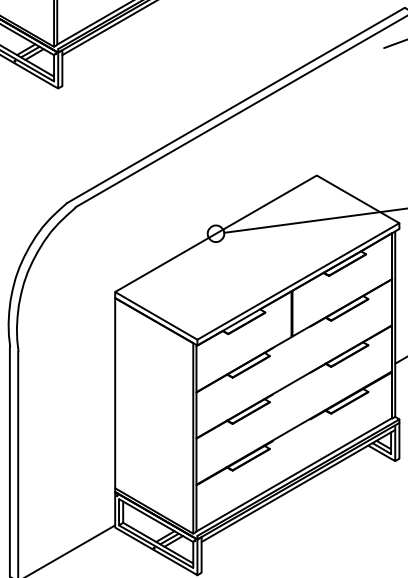
CABLE TIE
1PC



BACK VIEW



WALL



WALL

