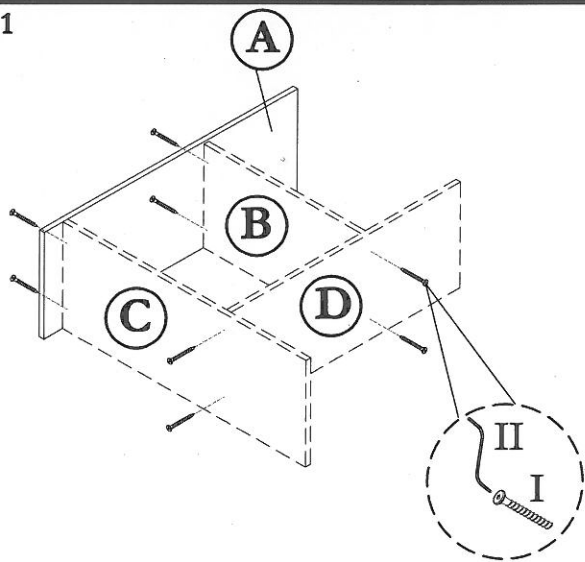


ASSEMBLY INSTRUCTION

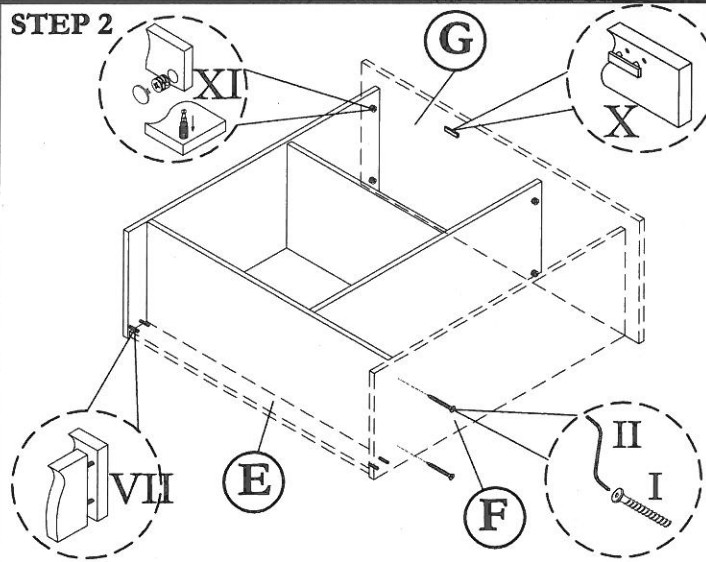
MODEL : 7178 / SHOE RACK

Before you begin, please follow assembly instruction carefully.
Then follow them step by step.

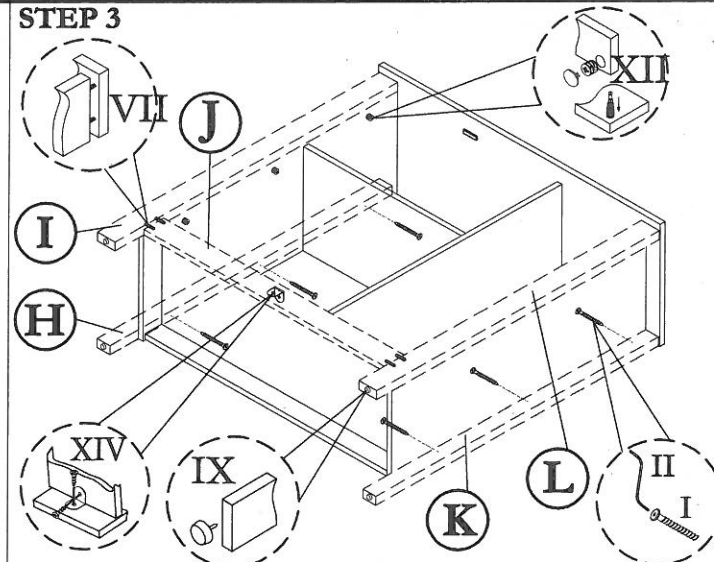
STEP 1



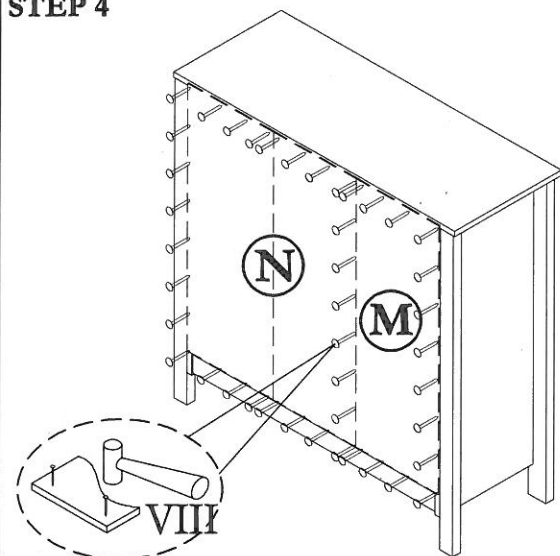
STEP 2



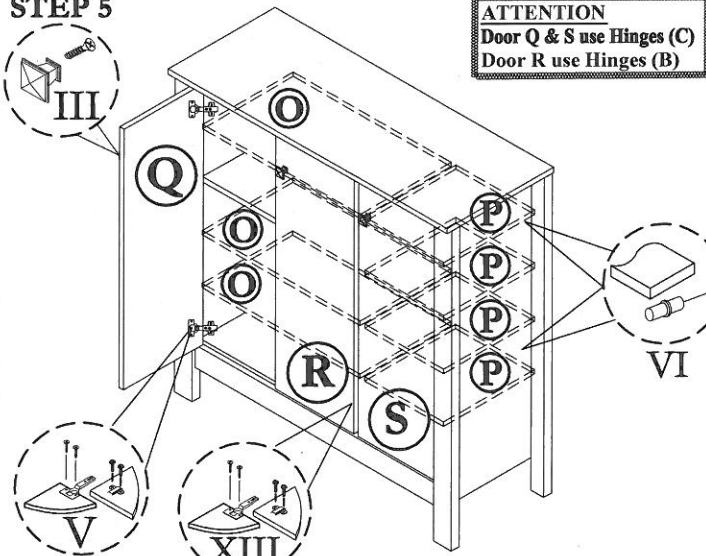
STEP 3



STEP 4

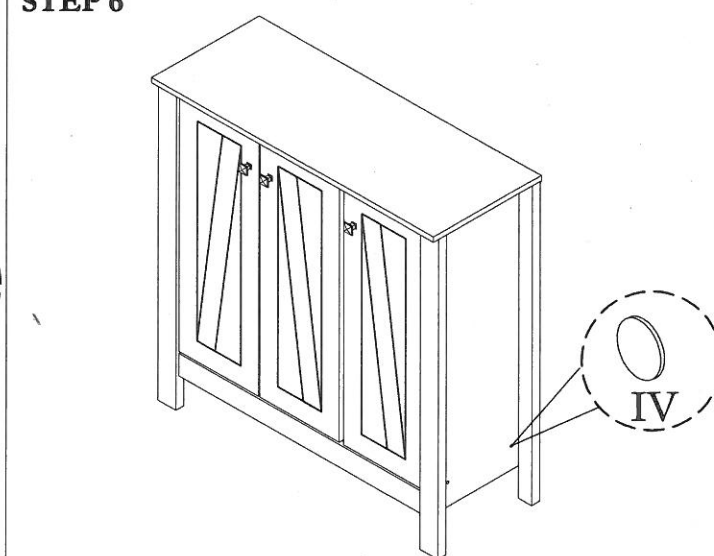


STEP 5



ATTENTION
Door Q & S use Hinges (C)
Door R use Hinges (B)

STEP 6



HARDWARE LIST

NO	DESCRIPTION	QTY
I	JCBCW SCREW M6.3 x 50	16pcs
II	M4 ALLEN KEY	1pc
III	HANDLE & SCREW M4 x 22	3sets
IV	STICKER	6pcs

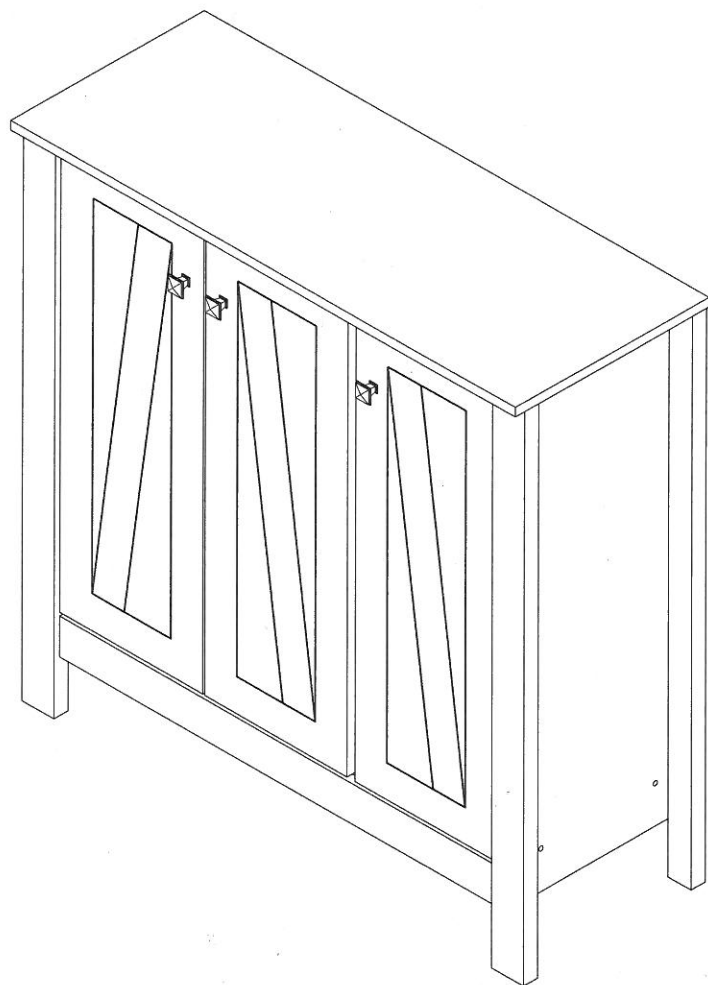
V	HINGE (C) & SCREW M3.5 x 16	4sets
VI	SHELF SUPPORT	28pcs
VII	M8 x 30 WOOD DOWEL	8pcs
VIII	NAIL	50pcs
IX	PVC NAIL WITH PIN	4pcs
X	HIPS STOPPER & SCREW M3.5 x 16	1sets

XI	Q-FIT	6sets
XII	Q-FIT (small)	6sets
XIII	HINGE (B) & SCREW M3.5 x 16	2sets
XIV	L BRACKET & SCREW M3.5 x 12	1sets

CAUTION:

To clean use soft, dry cloth. Do not use detergent or chemicals
Avoid contact with water and direct sunlight.

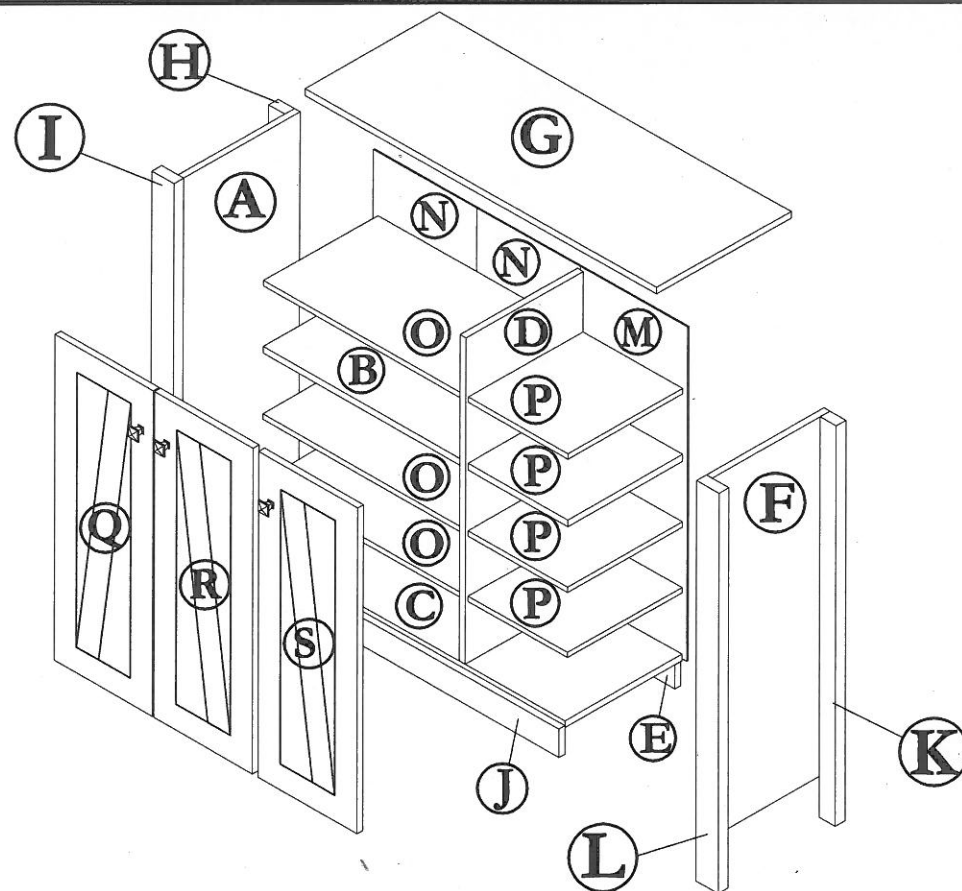
To be assembled on a soft, dry, clean and smooth surface.



COMPLETE SET

ORDERING REPAIR PARTS

In order to obtain smooth and rapid service when ordering repair parts, please give full attention to the following of PART NUMBER.



NO	DESCRIPTION	QTY
A	LEFT SIDE	01
B	CENTRE SHELF	01
C	LOWER SHELF	01
D	CENTRE VERTICAL	01
E	LEG (Back)	01
F	RIGHT SIDE	01
G	TOP	01
H	LEFT SIDE WRAPPING (Back)	01
I	LEFT SIDE WRAPPING (Front)	01
J	LEG (Front)	01

NO	DESCRIPTION	QTY
K	RIGHT SIDE WRAPPING (Back)	01
L	RIGHT SIDE WRAPPING (Front)	01
M	BACK	01
N	BACK	02
O	MOVABLE SHELF (Left)	03
P	MOVABLE SHELF (Right)	04
Q	LEFT SIDE DOOR	01
R	CENTRE DOOR	01
S	RIGHT SIDE DOOR	01