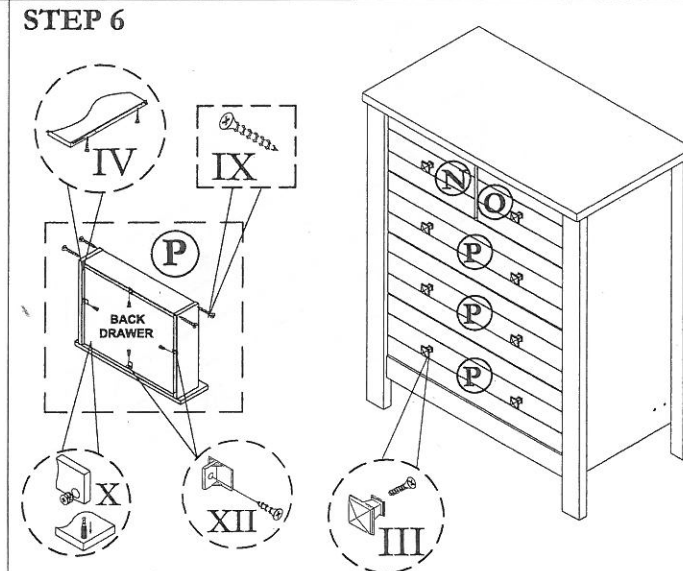
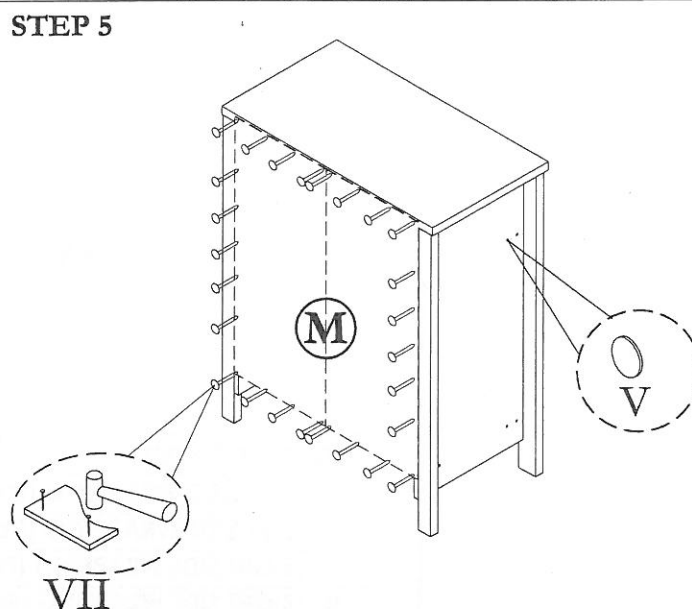
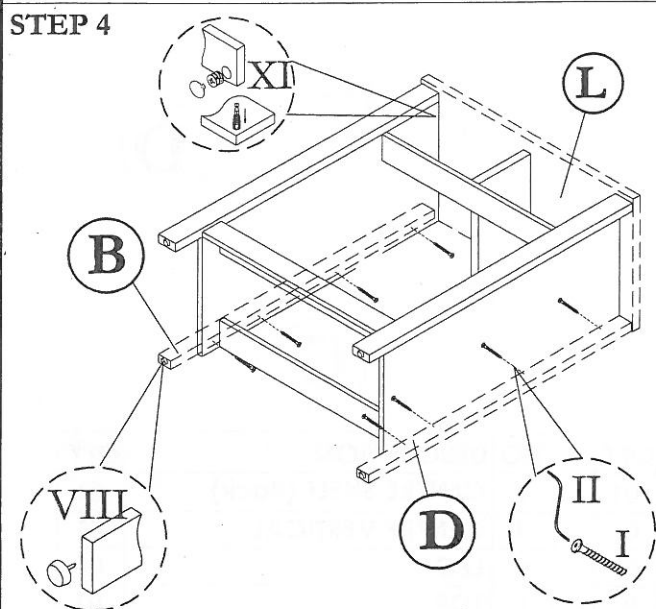
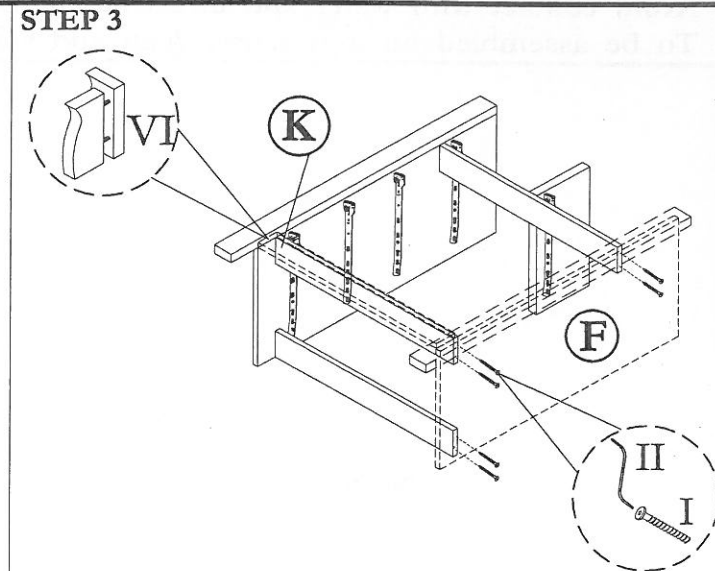
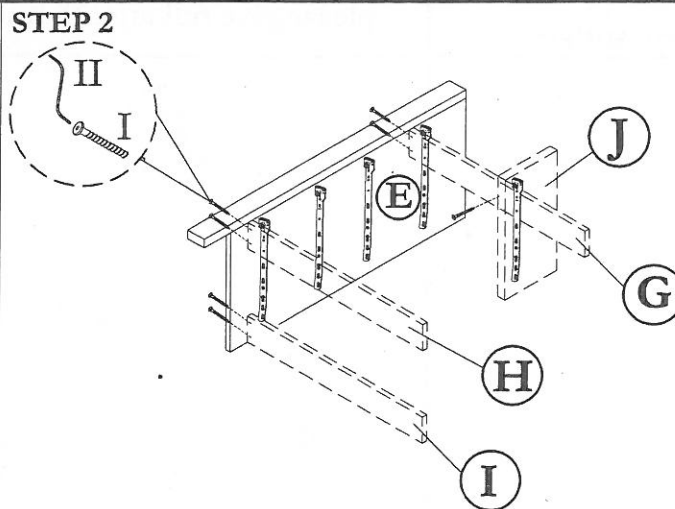
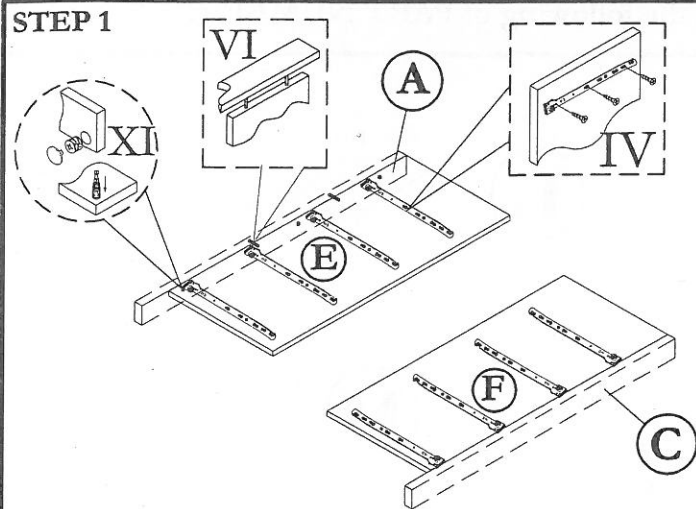


# ASSEMBLY INSTRUCTION

## MODEL : 4125 / CHEST OF DRAWER

Before you begin, please follow assembly instruction carefully.  
Then follow them step by step.



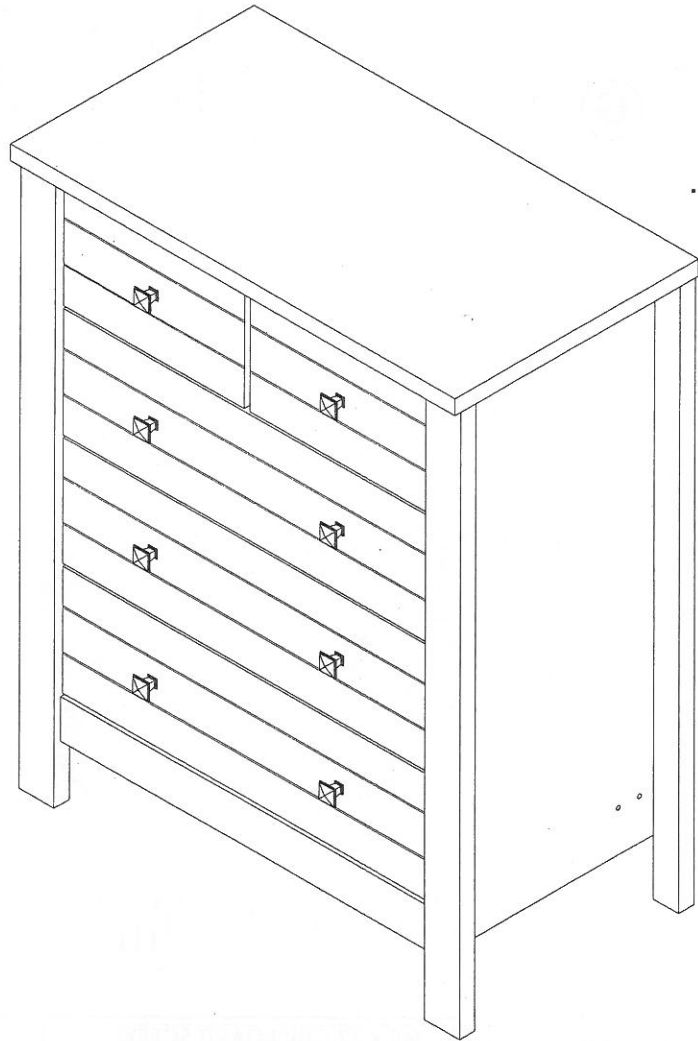
HARDWARE LIST			
NO	DESCRIPTION		QTY
I	JCBCW SCREW M6 x 45		21pcs
II	M4 ALLEN KEY		1pc
III	HANDLE & SCREW M4 x 22		8sets

IV	12" DRAWER SLIDER & SCREW M3.5 x 12		5sets
V	STICKER		10pcs
VI	M8 x 30 WOOD DOWEL		8pcs
VII	NAIL		40pcs
VIII	PVC NAIL WITH PIN		4pcs

IX	M8 x 32 CHIPBOARD SCREW		20pcs
X	Q-FIT		26sets
XI	Q-FIT (small)		6sets
XII	DRAWER SUPPORT & SCREW M3.5 x 12		12sets

**CAUTION:**

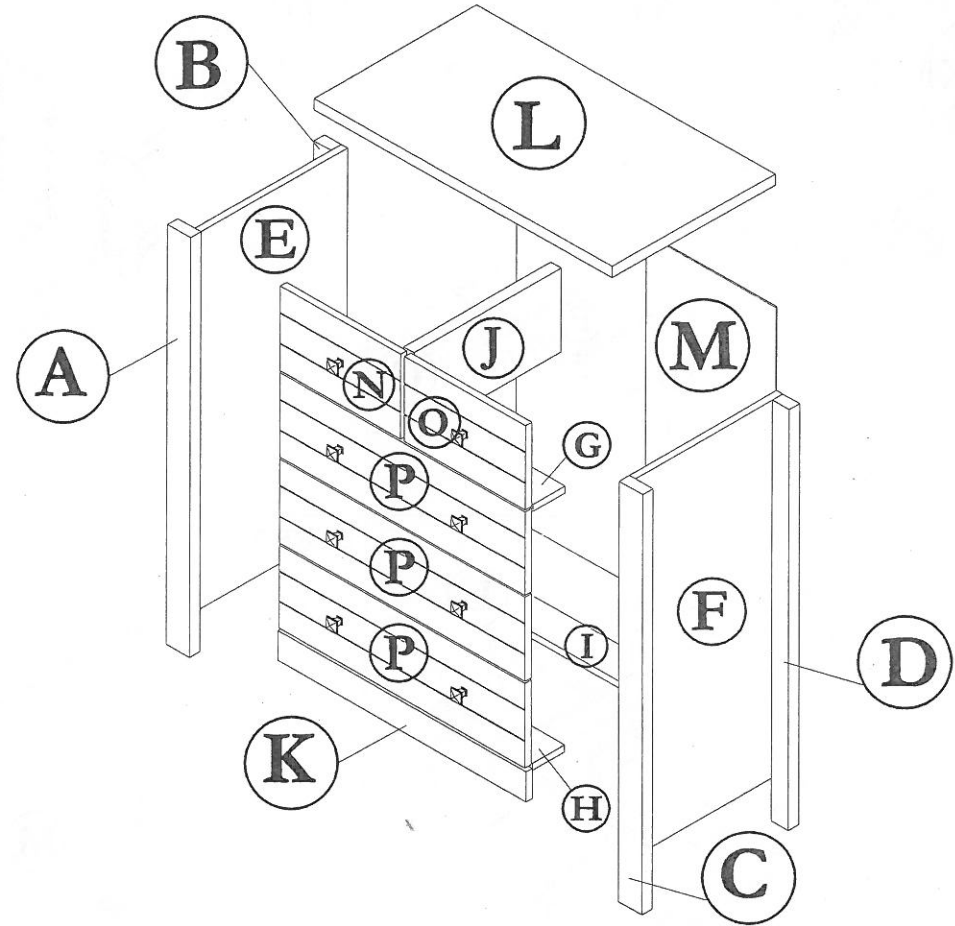
To clean use soft, dry cloth. Do not use detergent or chemicals  
Avoid contact with water and direct sunlight.  
To be assembled on a soft, dry, clean and smooth surface.



# COMPLETE SET

**ORDERING REPAIR PARTS**

In order to obtain smooth and rapid service when ordering repair parts,  
please give full attention to the following of PART NUMBER.



NO	DESCRIPTION	QTY
A	LEFT SIDE WRAPPING (Front)	01
B	LEFT SIDE WRAPPING (Back)	01
C	RIGHT SIDE WRAPPING (Front)	01
D	RIGHT SIDE WRAPPING (Back)	01
E	LEFT SIDE	01
F	RIGHT SIDE	01
G	CENTRE SHELF	01
H	CENTRE SHELF	01

NO	DESCRIPTION	QTY
I	CENTRE SHELF (Back)	01
J	CENTRE VERTICAL	01
K	LEG	01
L	TOP	01
M	BACK	02
N	DRAWER FACE (Left)	01
O	DRAWER FACE (Right)	01
P	DRAWER FACE	03