

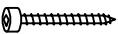



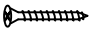




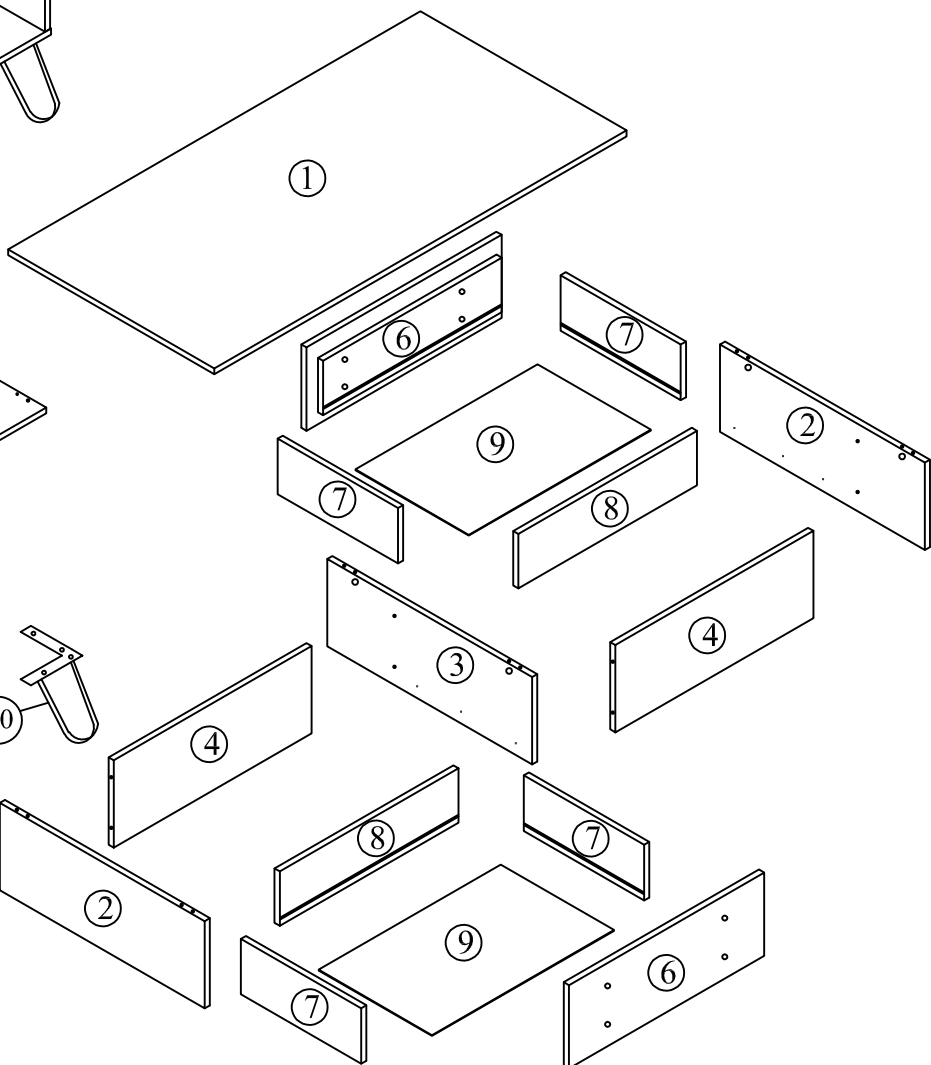
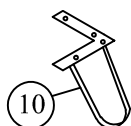
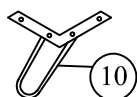
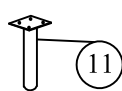
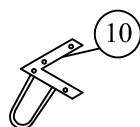
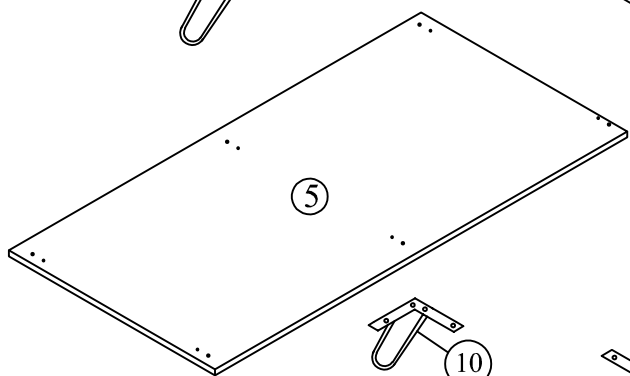
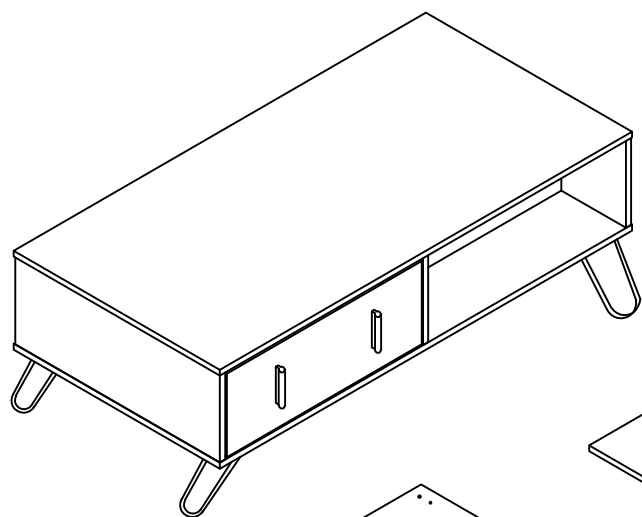


Assembly Instructions

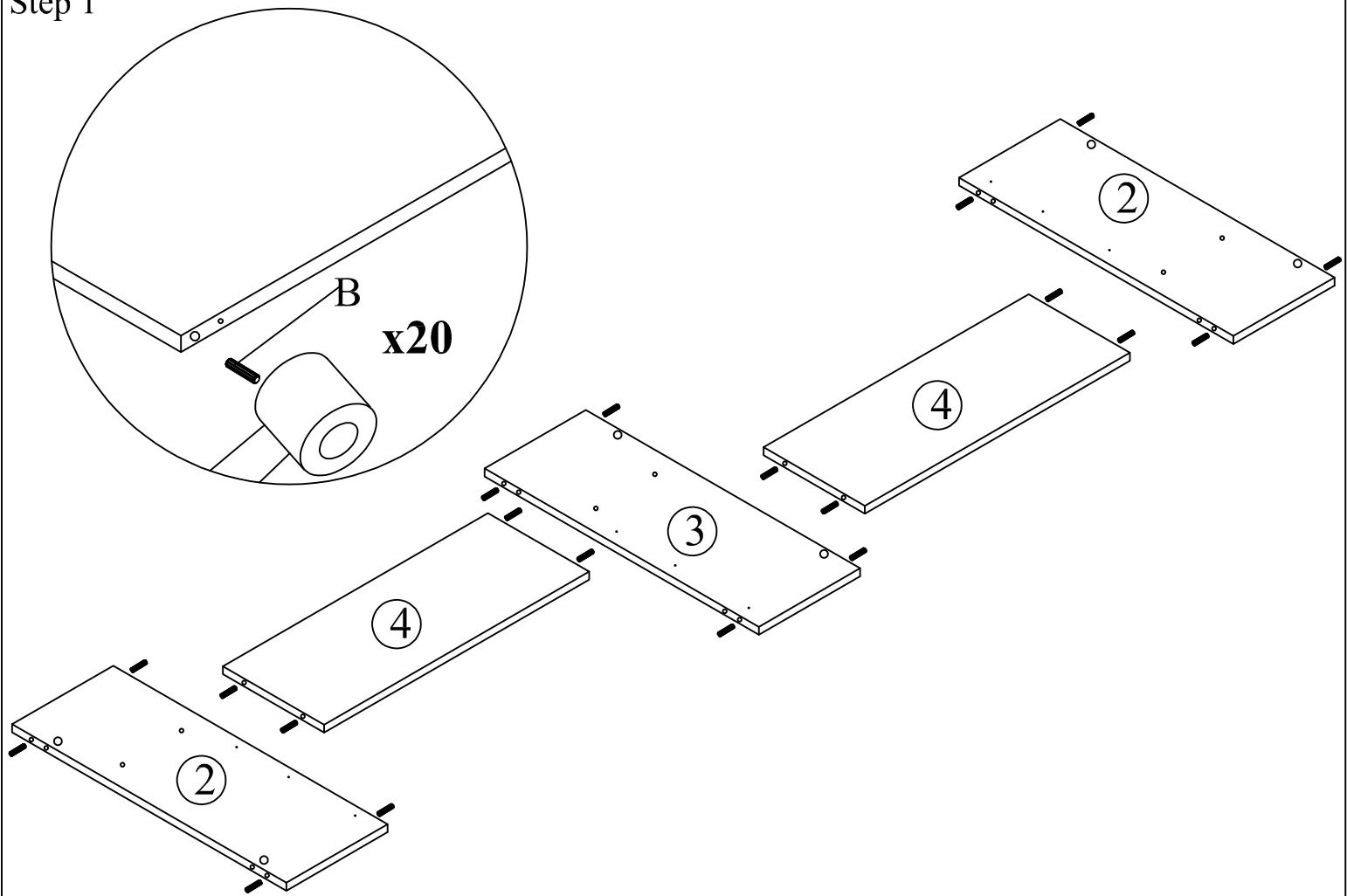
CT 8012

Part List		QTY
1	Top Panel	1
2	Side Panel	2
3	Middle Panel	1
4	Drawer End Panel	2
5	Bottom Panel	1
6	Drawer Front Panel	2
7	Drawer Side Panel	4
8	Drawer Back Panel	2
9	Drawer Bottom Panel	2
10	Legs	4
11	Support Leg	1

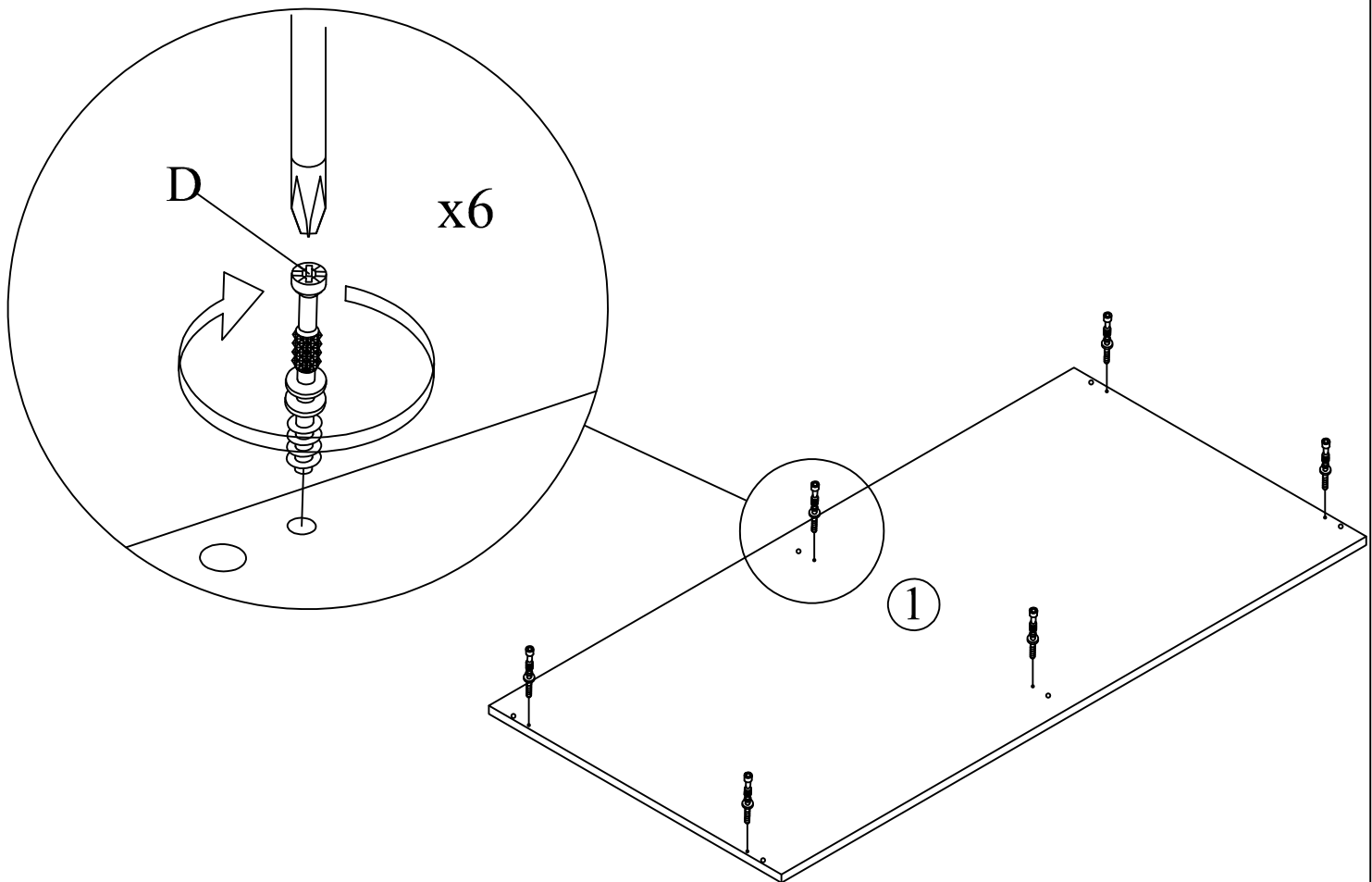
Hardware		QTY
A	Allen Key M4 	1
B	Wood Dowel 	20
C	JCBC W Screw M6x40 	6
D	Mini Fix Bolt 	6
E	Mini Fix Housing 	6
F	Mini Fix Cap 	6
G	CSK Screw M3.5x16mm 	44
H	CSK Screw M4x50mm 	16
I	Handle 	4
J	Handle screw 40mm 	8
K	Drawer Slider 	2



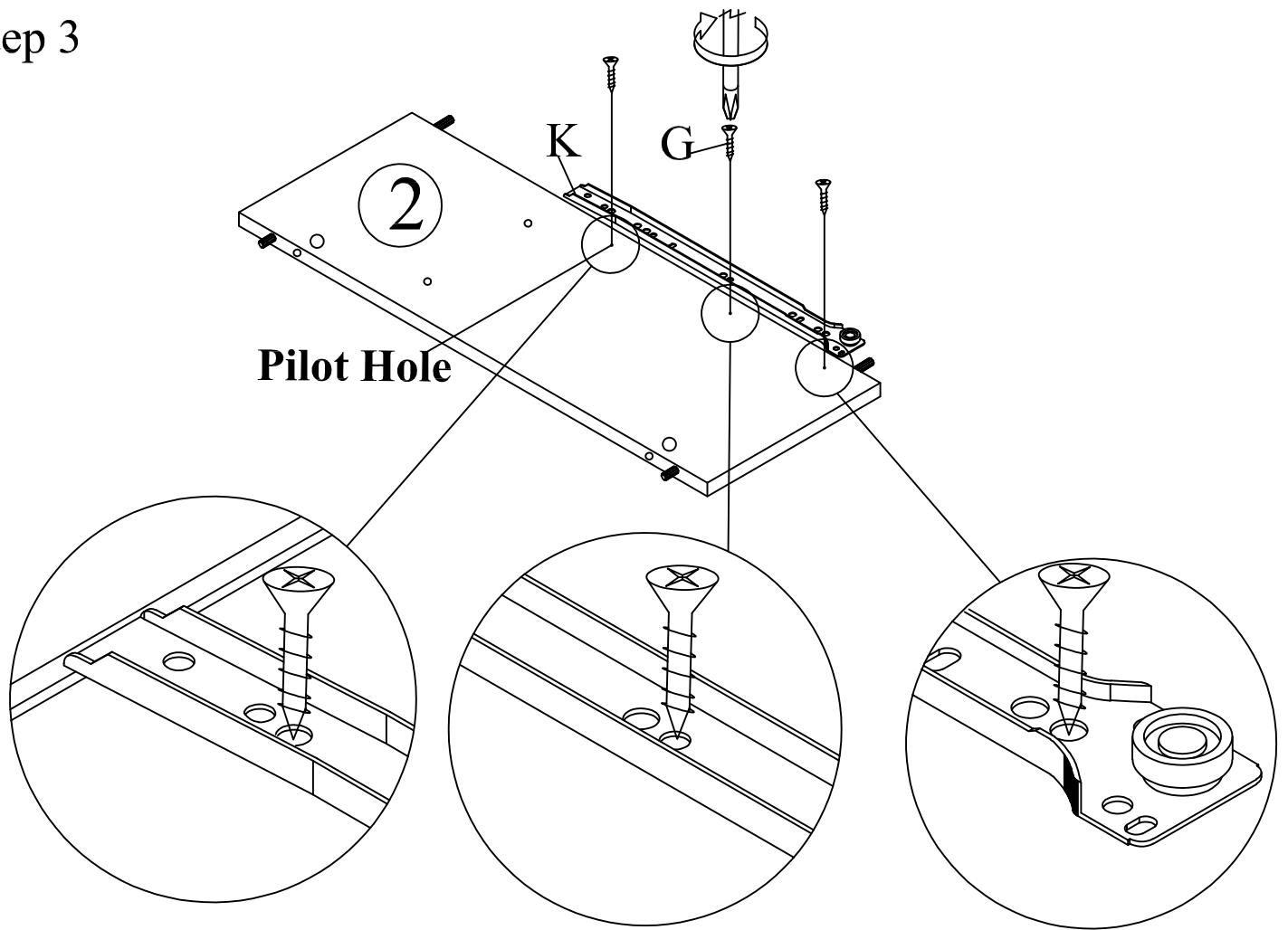
Step 1



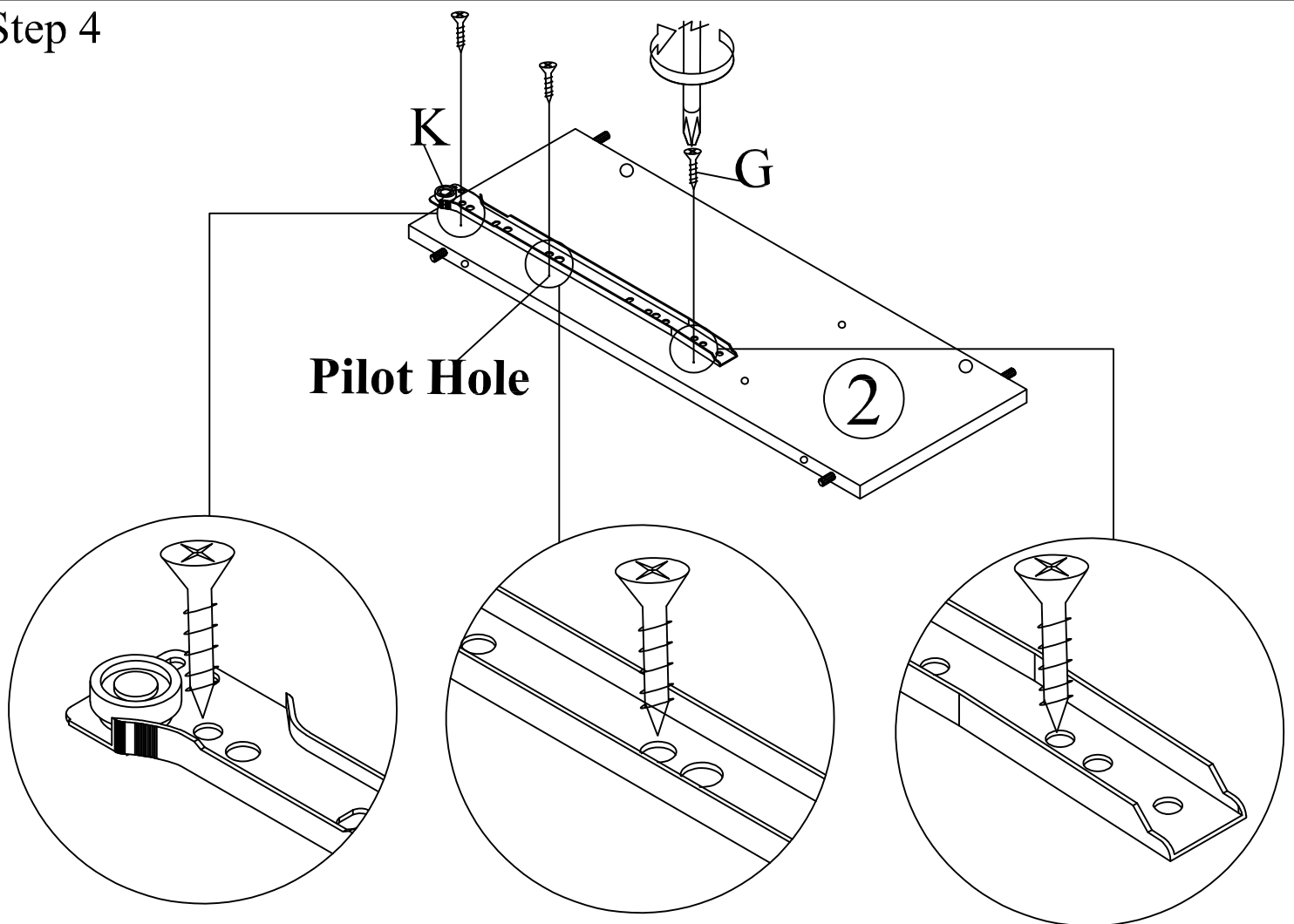
Step 2



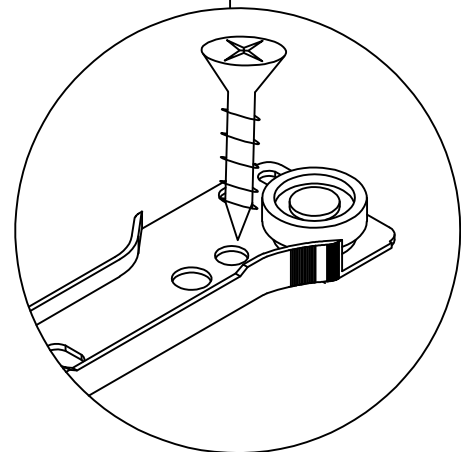
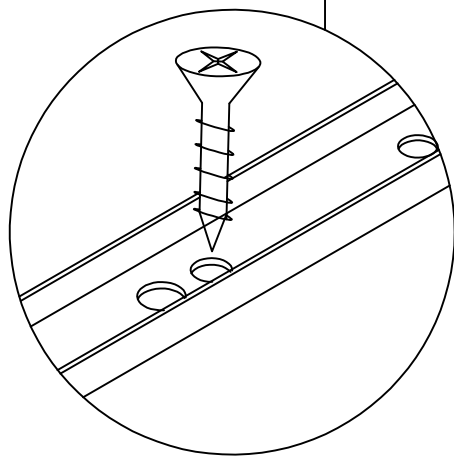
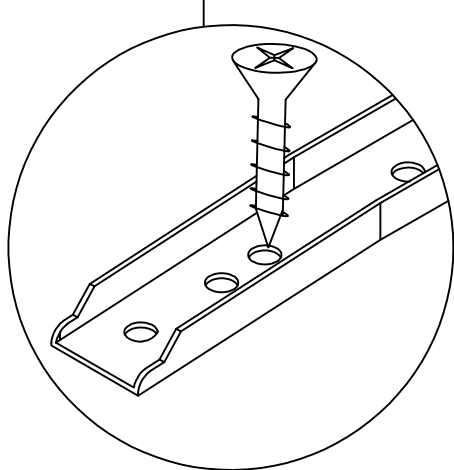
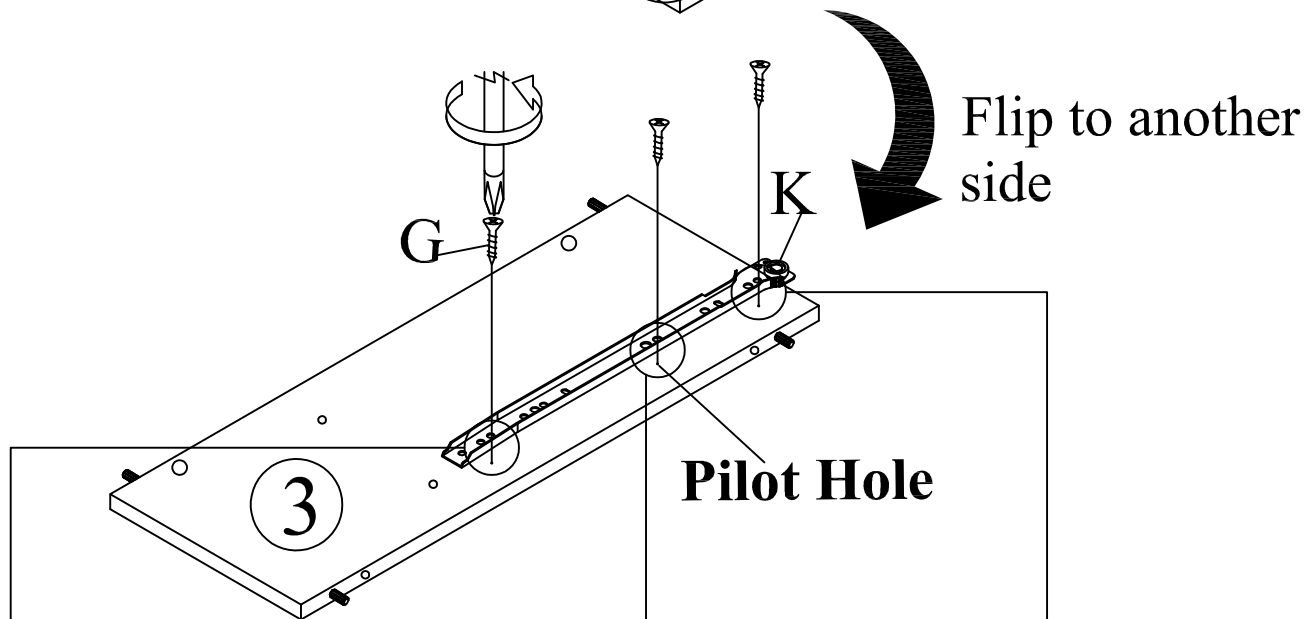
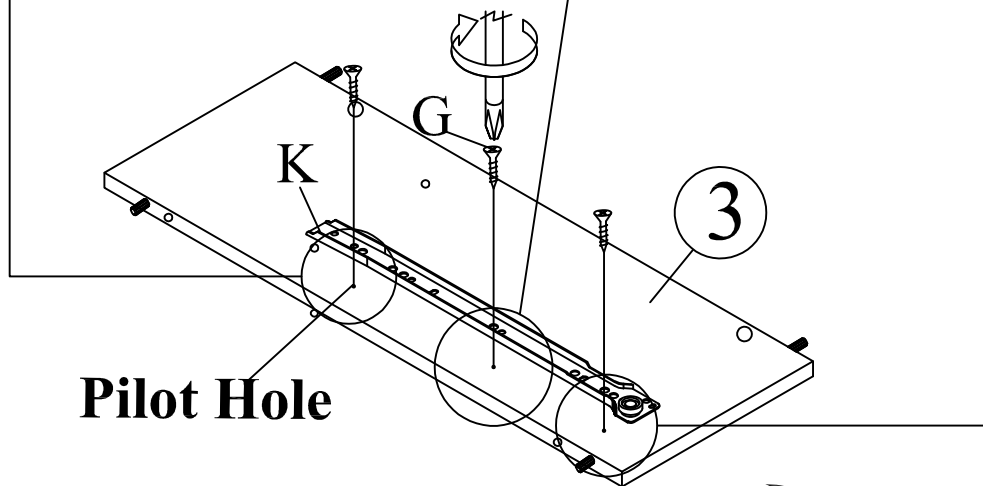
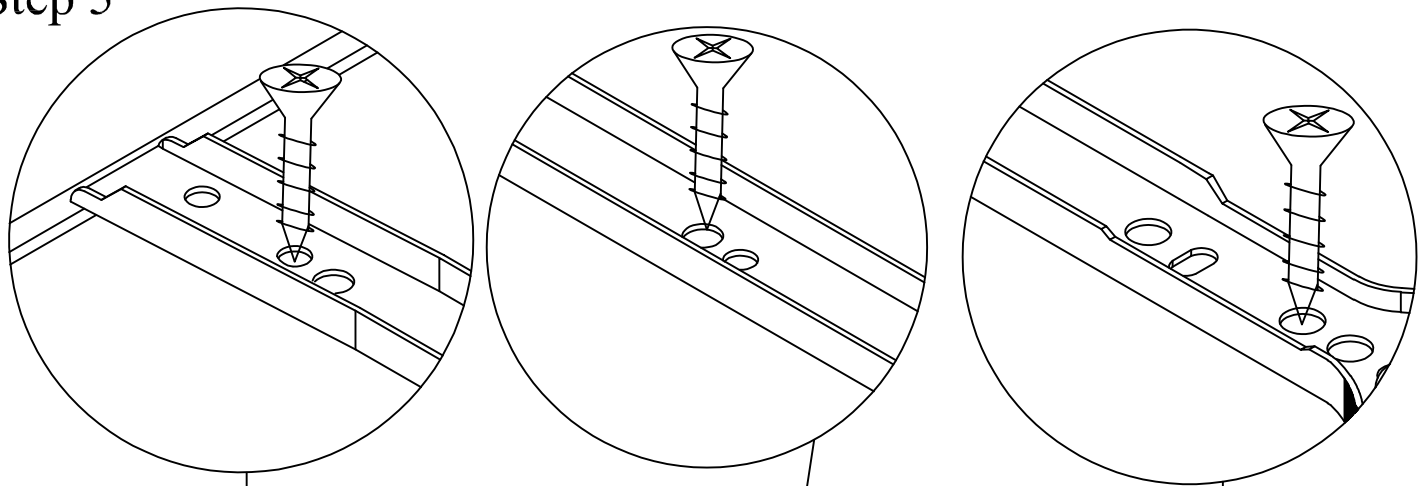
Step 3



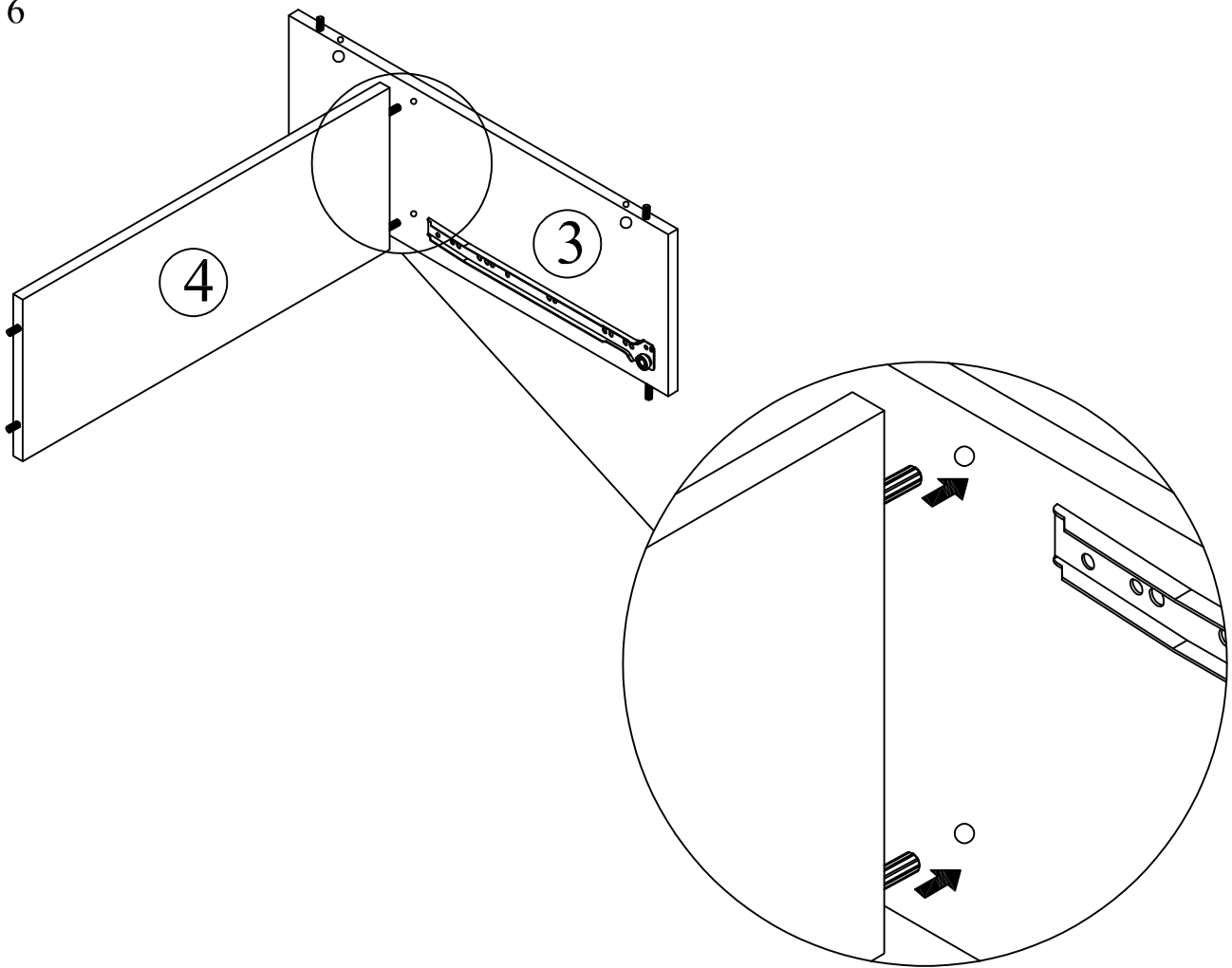
Step 4



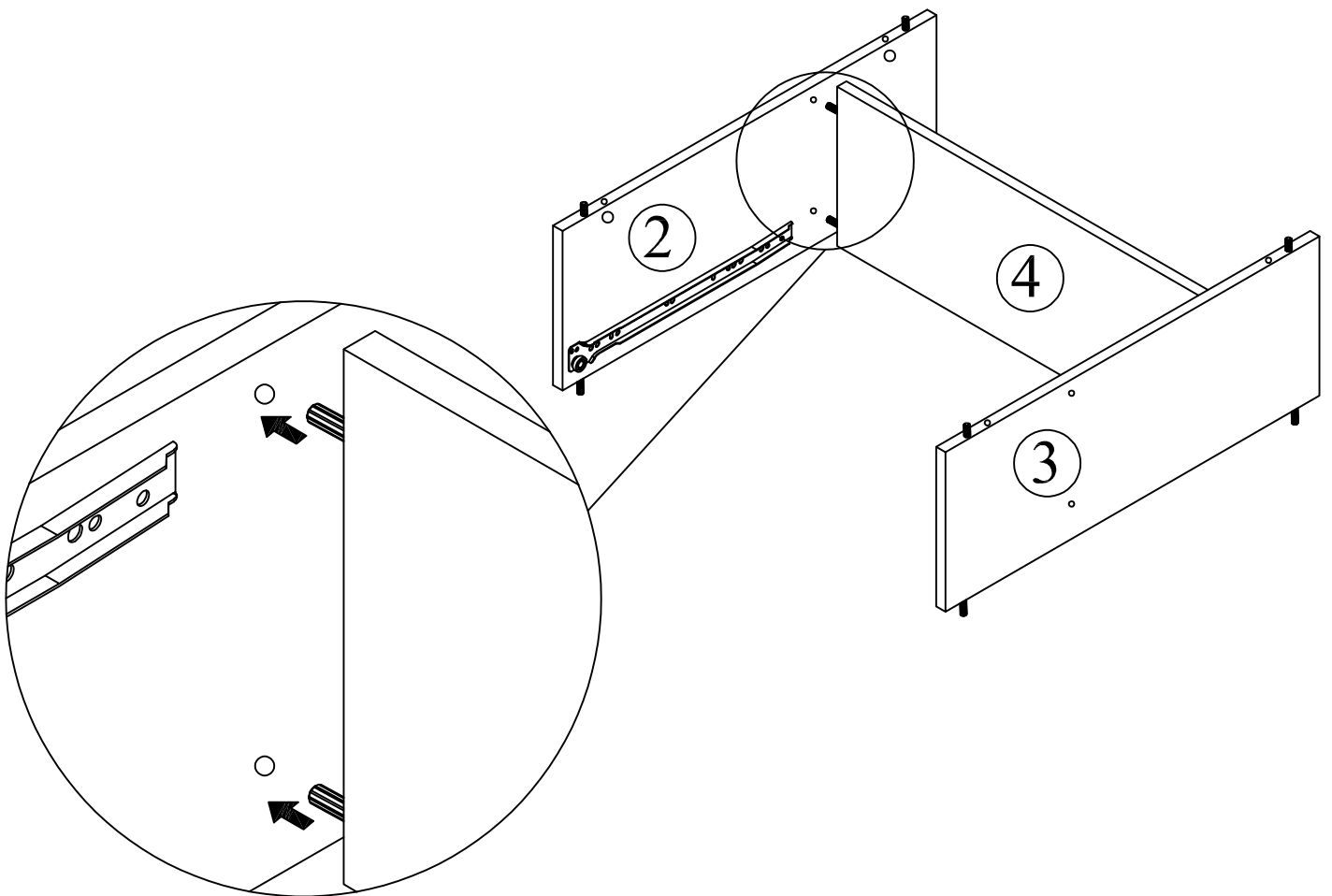
Step 5



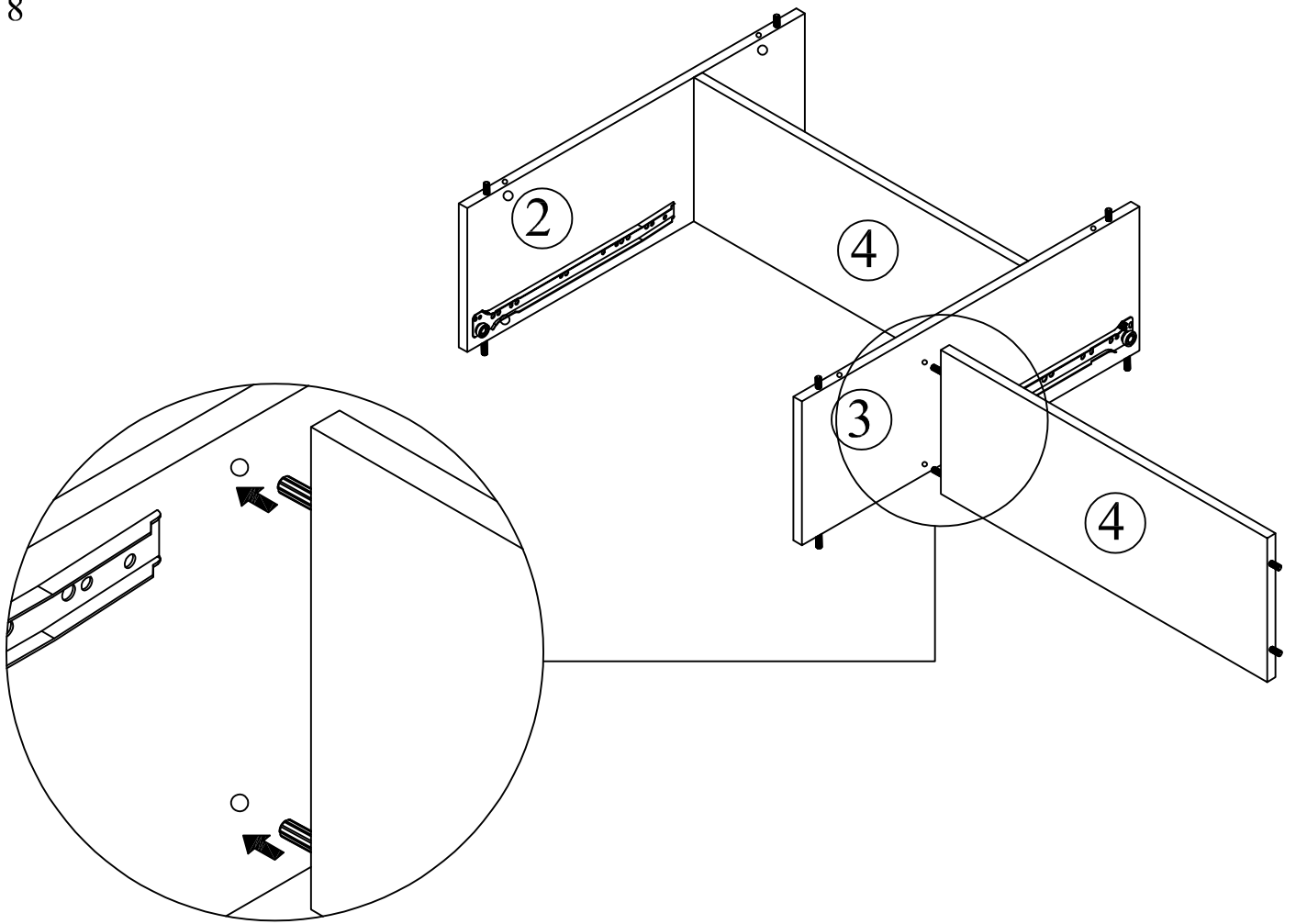
Step 6



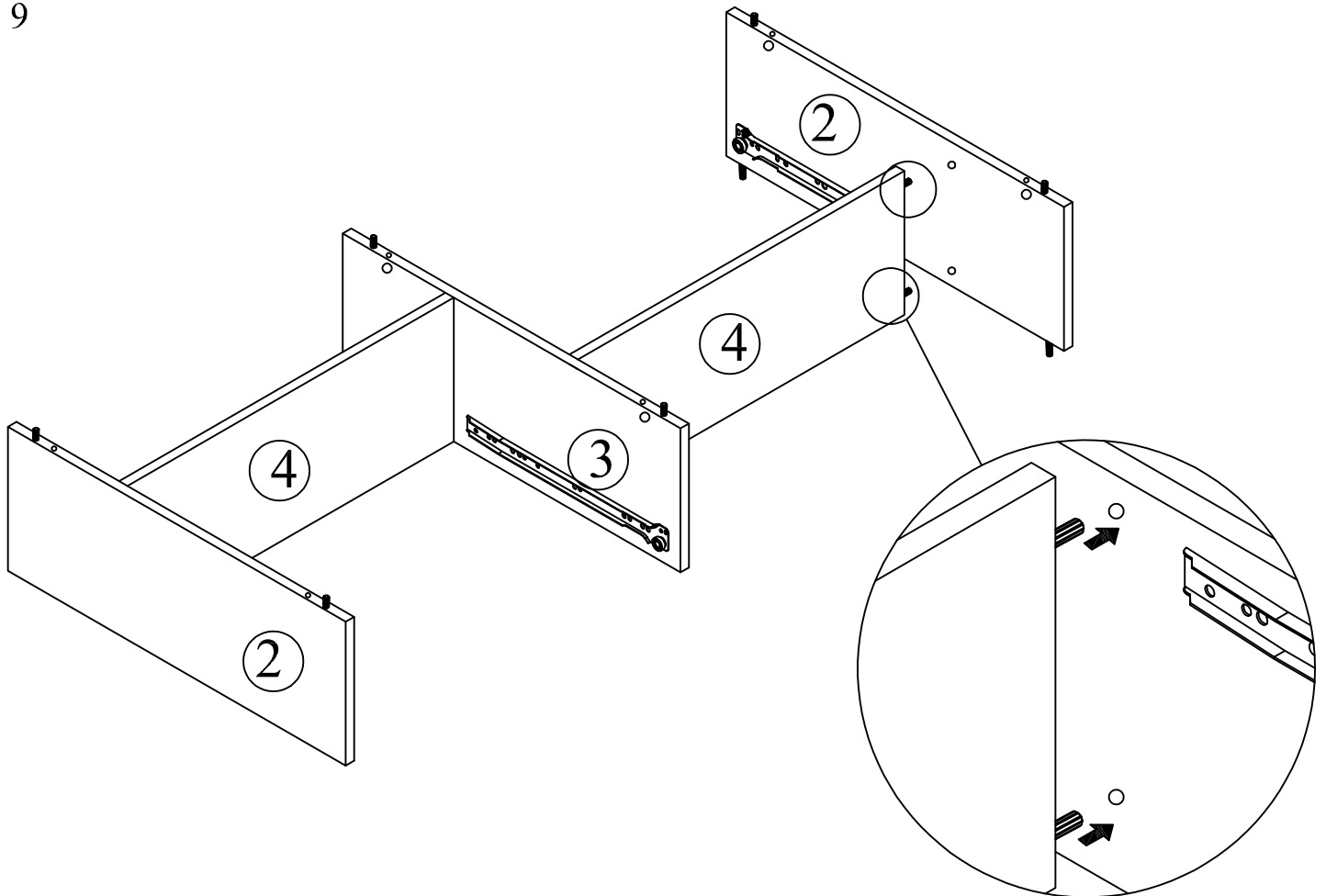
Step 7



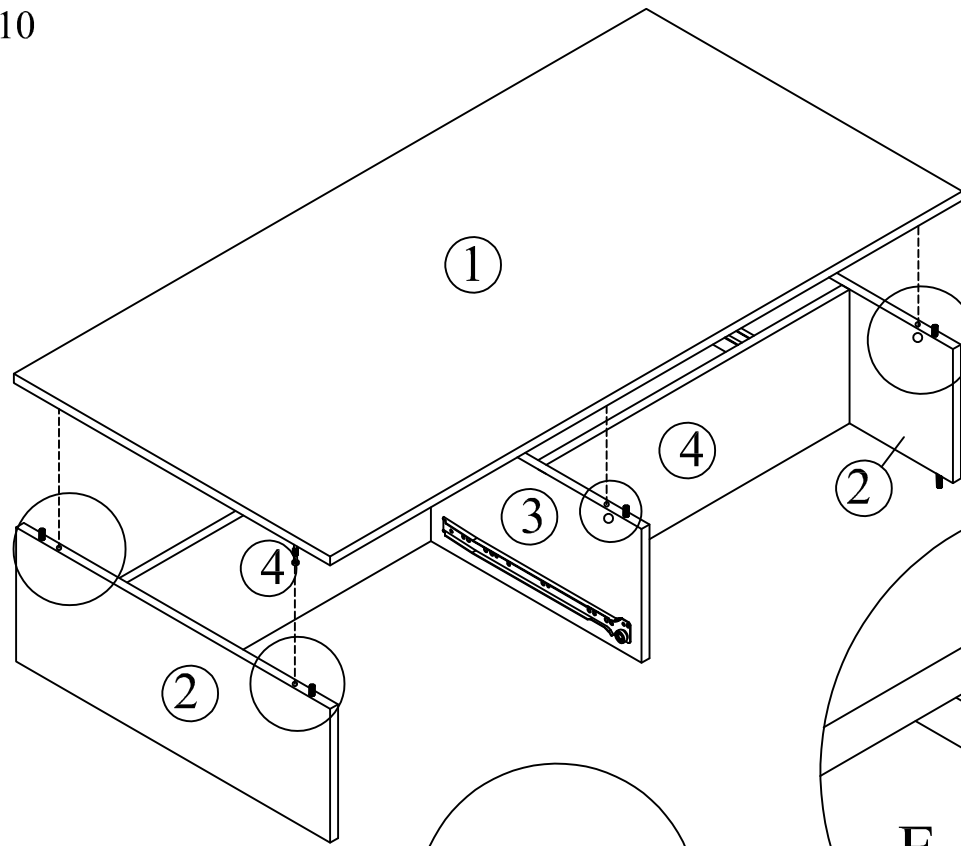
Step 8



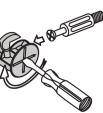
Step 9



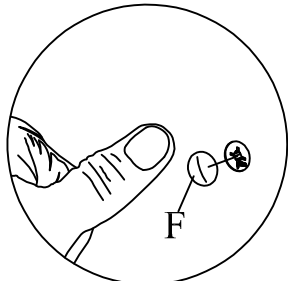
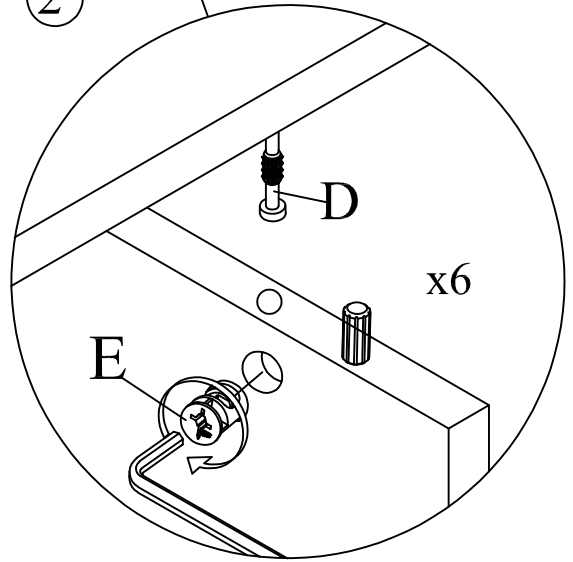
Step 10



This is how a mini fix works...

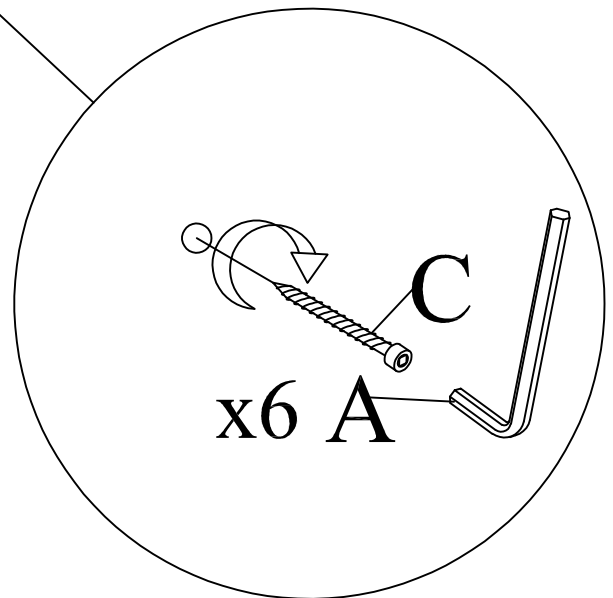
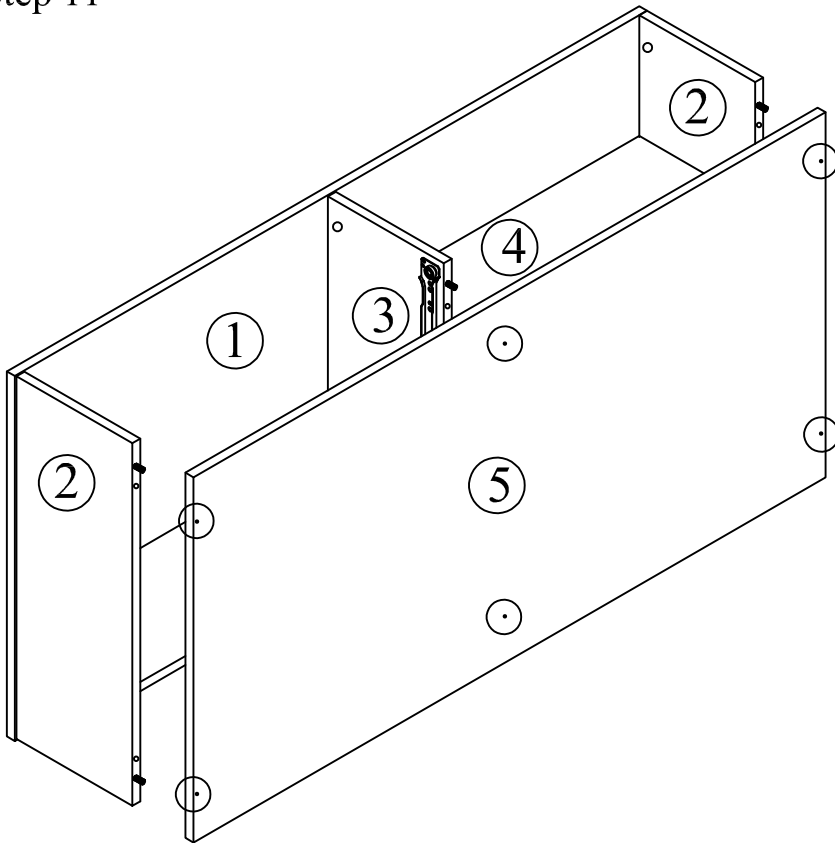


The head of the mini fix housing goes into the open mouth of the mini fix bolt. You then turn the mini fix housing so it tightens over the mini fix bolt.

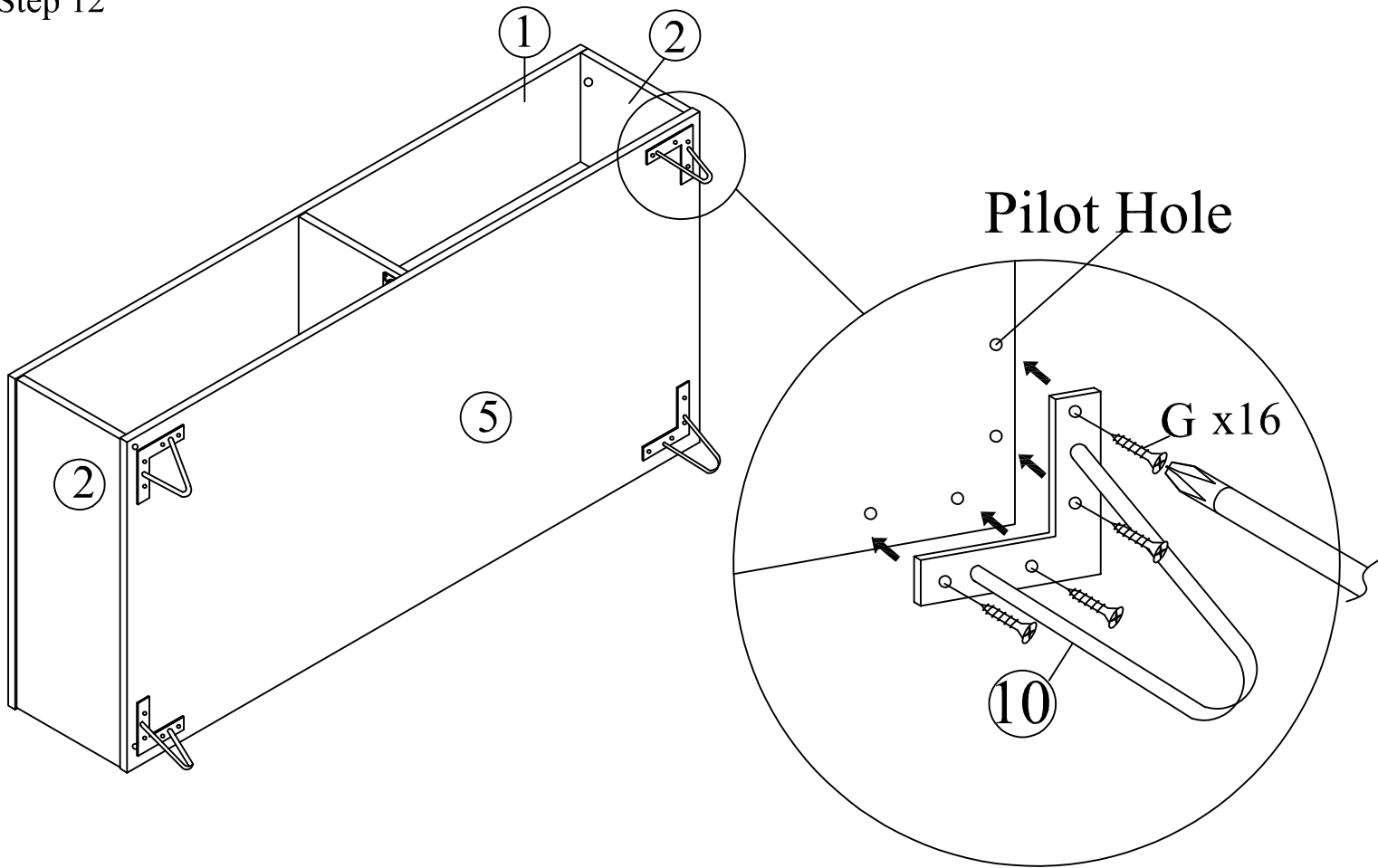


*Attach Minifix Cap as shown.

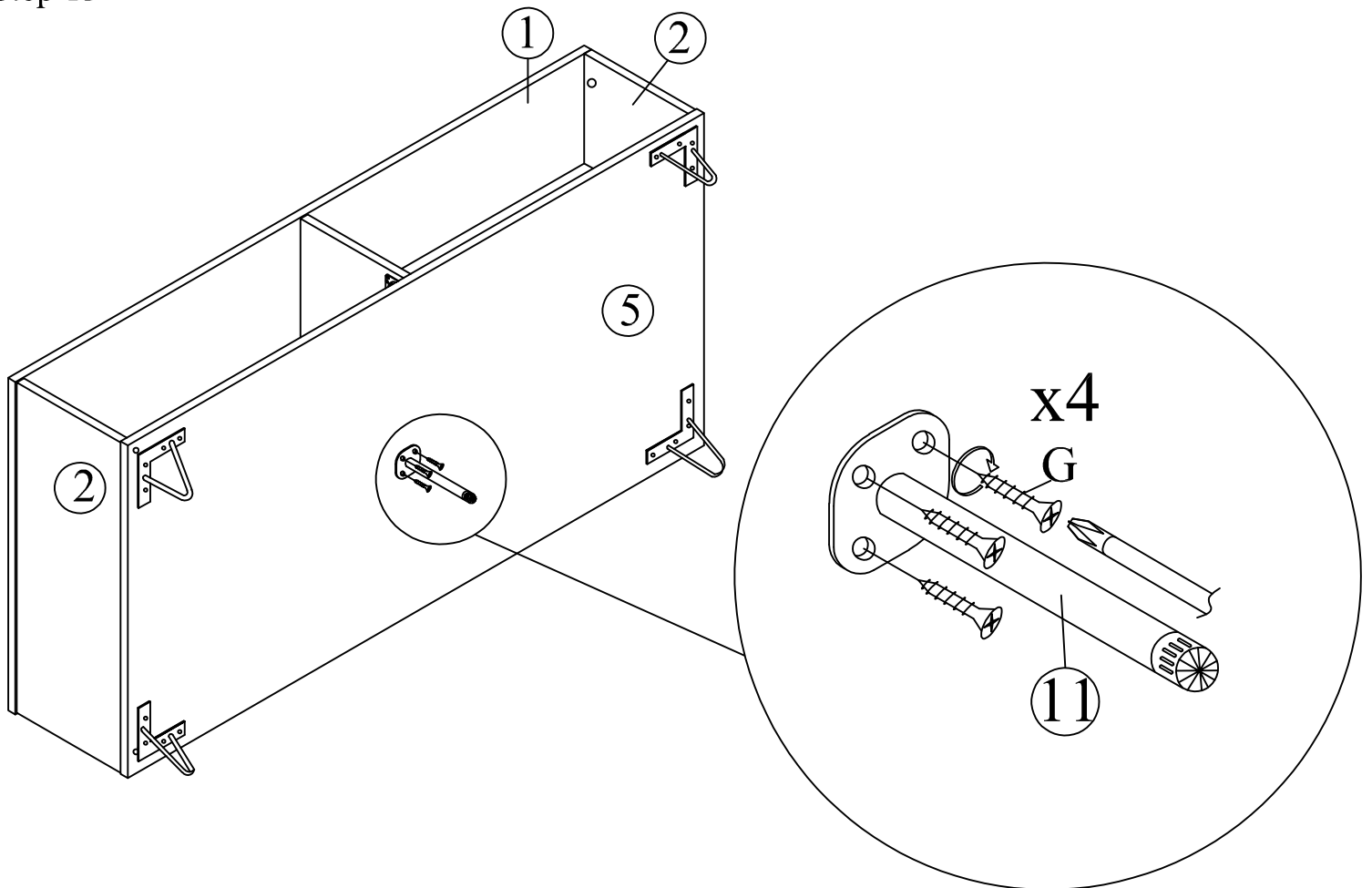
Step 11



Step 12



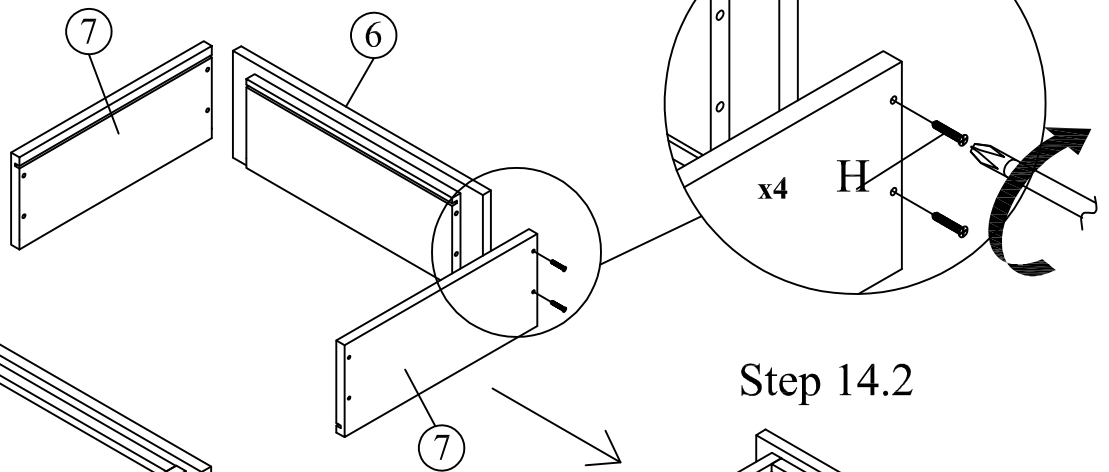
Step 13



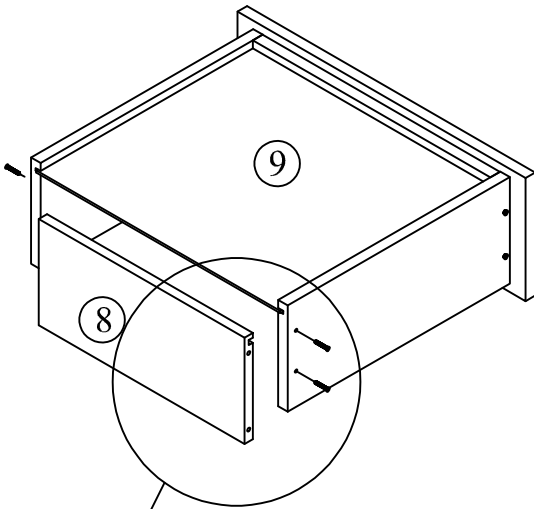
Step 14

x2

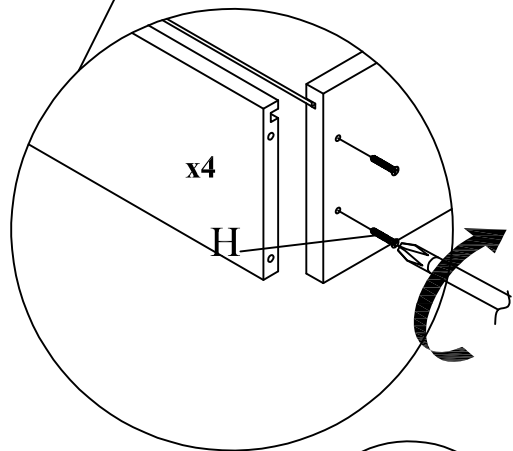
Step 14.1



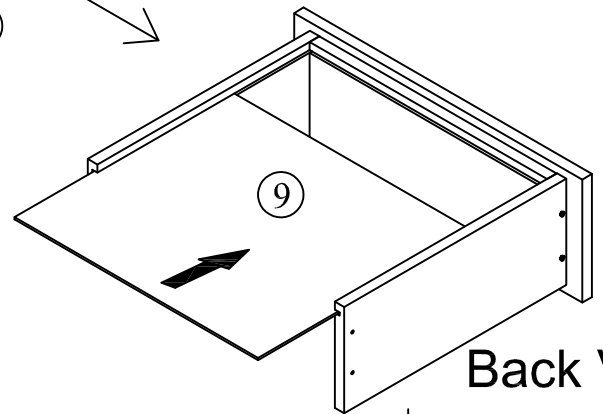
Step 14.3



Back View



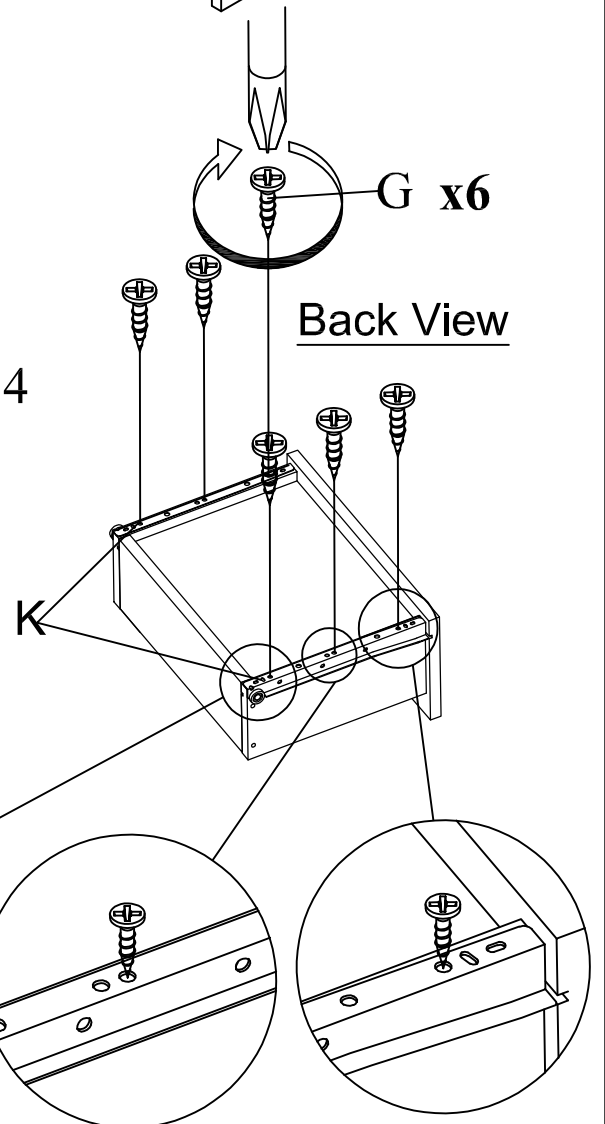
Step 14.2



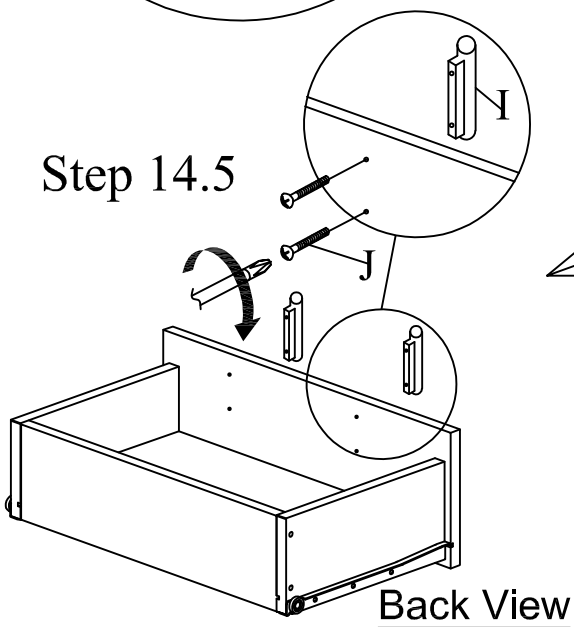
Back View

Back View

Step 14.4



Step 14.5



Back View

Step 15

