

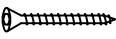



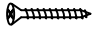




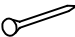
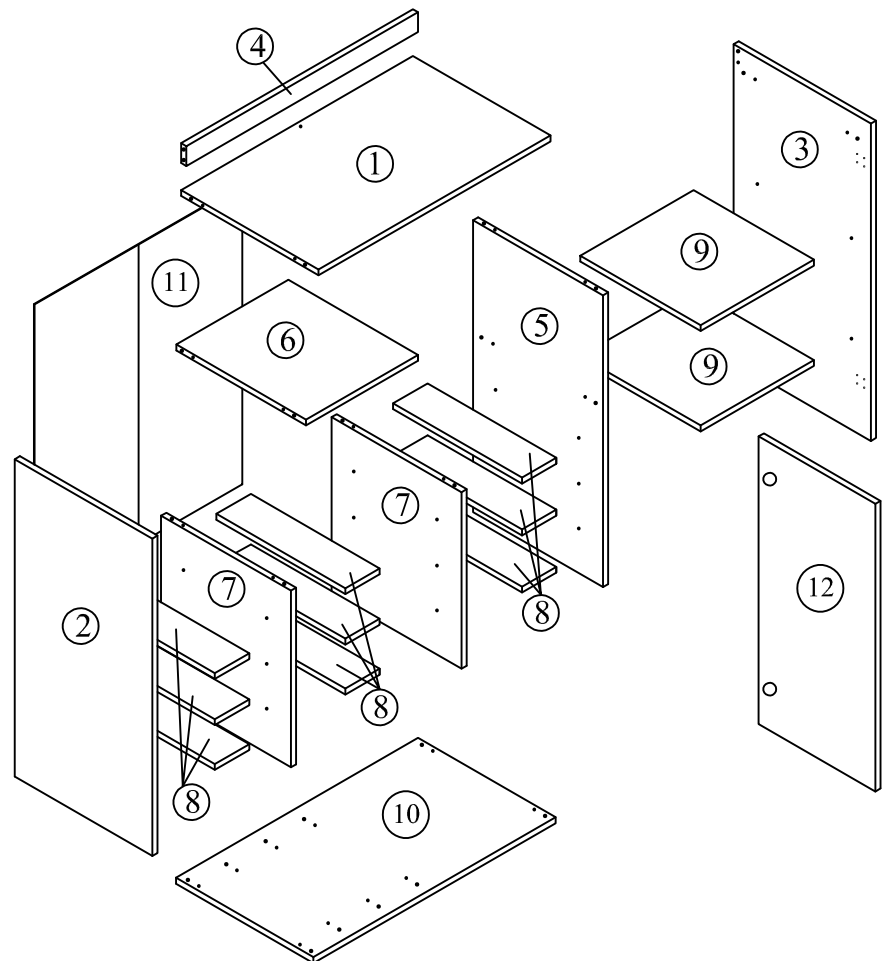
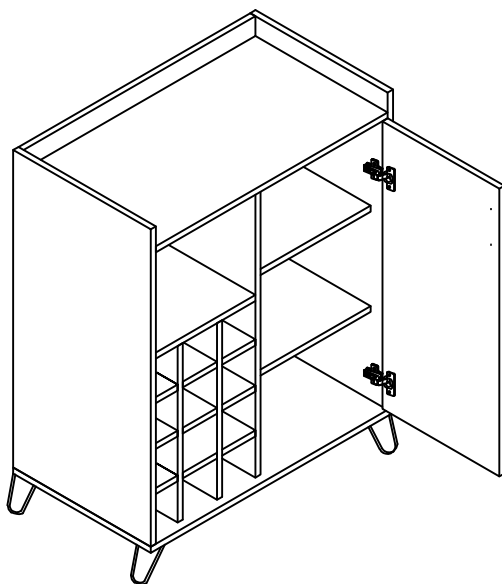


# Assembly Instructions

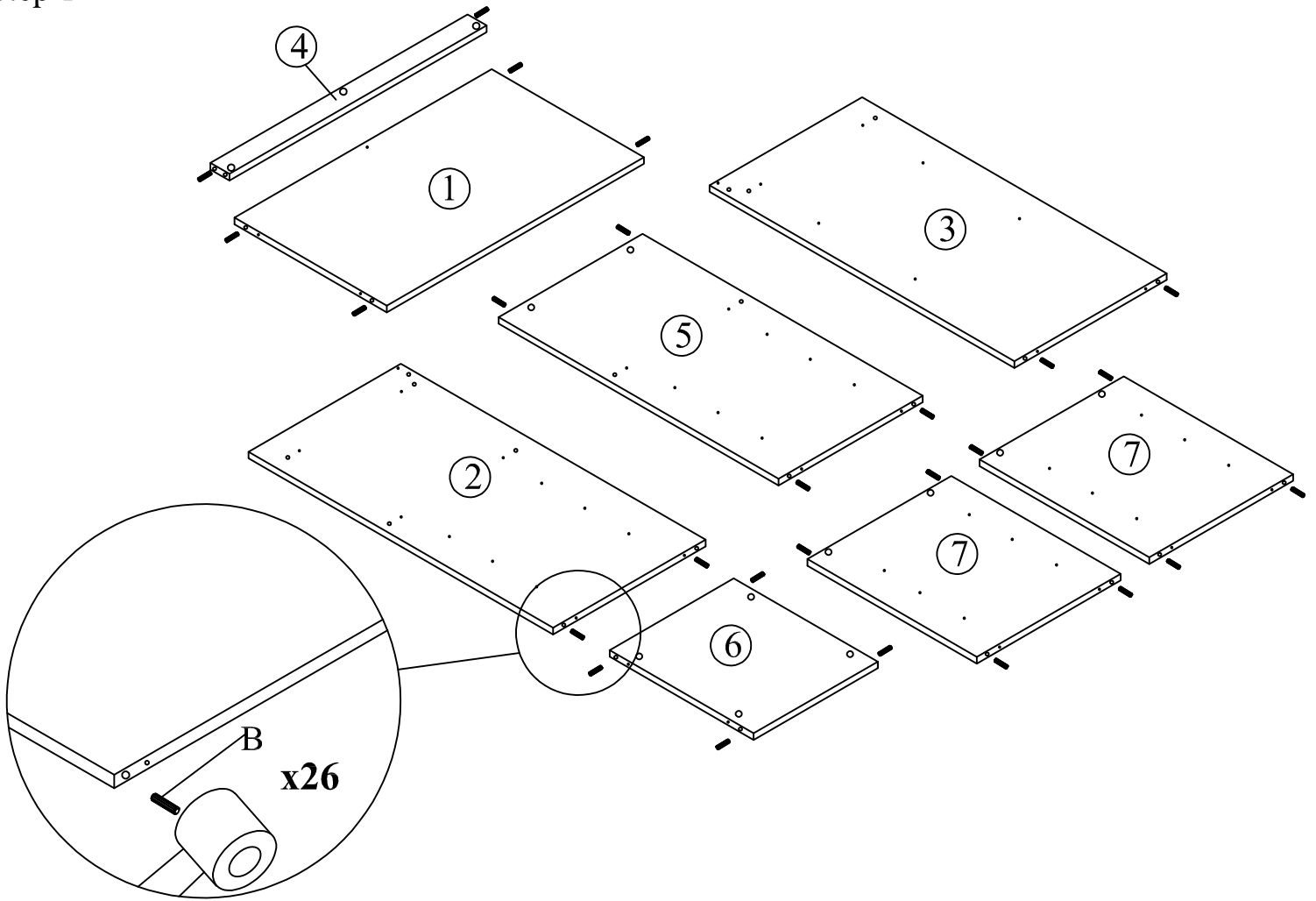
WC 8000

| Part List |                    | QTY |
|-----------|--------------------|-----|
| 1         | Top Panel          | 1   |
| 2         | Left Side Panel    | 1   |
| 3         | Right Side Panel   | 1   |
| 4         | Top Back Panel     | 1   |
| 5         | Middle Panel       | 1   |
| 6         | Middle Left Panel  | 1   |
| 7         | Small Middle Panel | 2   |
| 8         | Small Shelf Panel  | 9   |
| 9         | Big Shelf Panel    | 2   |
| 10        | Bottom Panel       | 1   |
| 11        | Back Panel         | 1   |
| 12        | Door Panel         | 1   |
| 13        | Legs               | 4   |

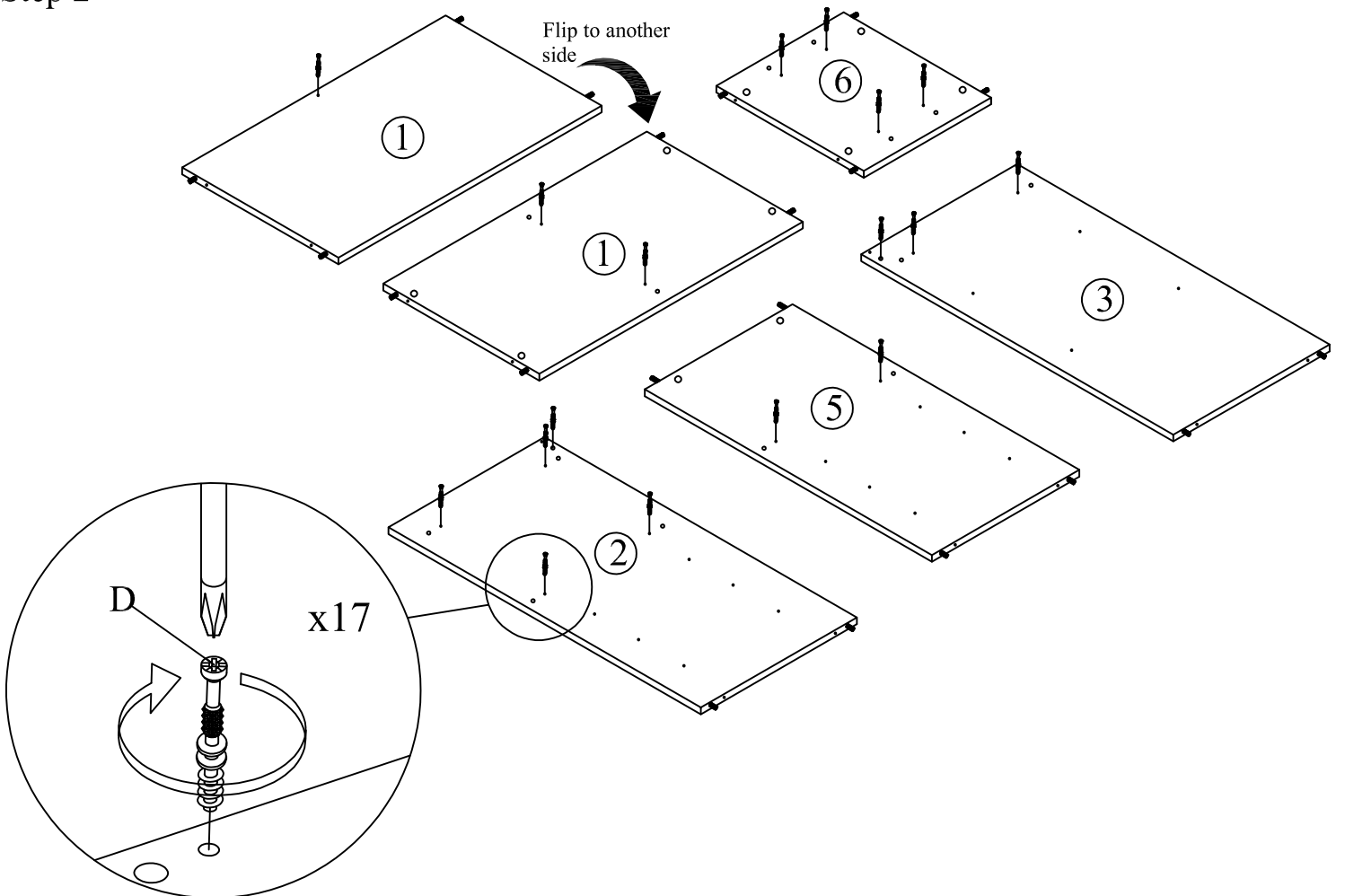
| Hardware |   | QTY |
|----------|---|-----|
| A        | Allen Key M4          | 1   |
| B        | Wood Dowel            | 26  |
| C        | JCBC W Screw M6x40   | 10  |
| D        | Mini Fix Bolt        | 17  |
| E        | Mini Fix Housing     | 17  |
| F        | Mini Fix Cap         | 17  |
| G        | CSK Screw M3.5x16mm  | 28  |
| H        | Shelf Support Metal  | 44  |
| I        | Handle               | 1   |
| J        | Handle screw 22mm    | 2   |
| K        | Hinges               | 2   |
| L        | Nail                 | 37  |



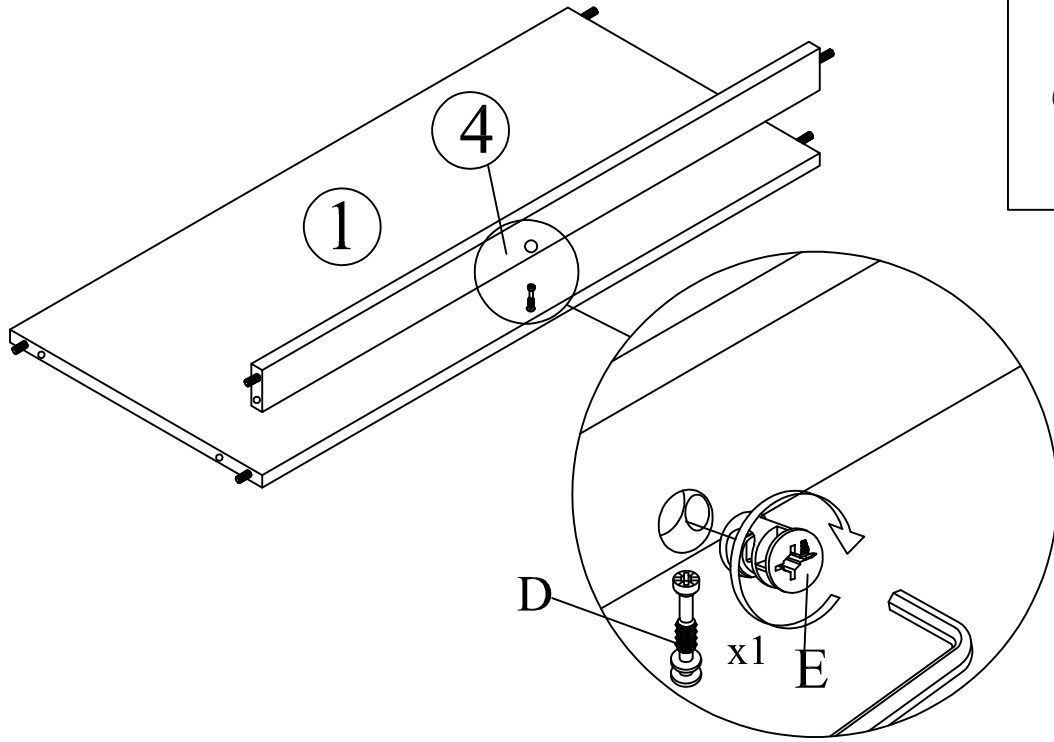
# Step 1



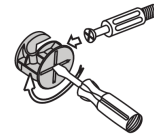
# Step 2



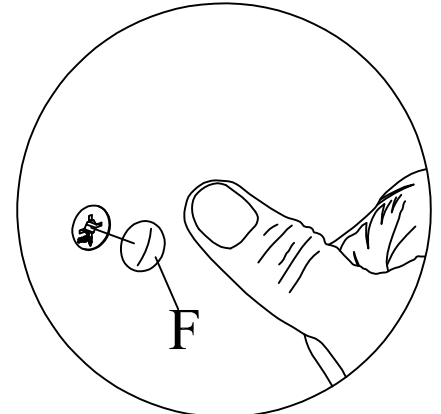
### Step 3



This is how a mini fix works...



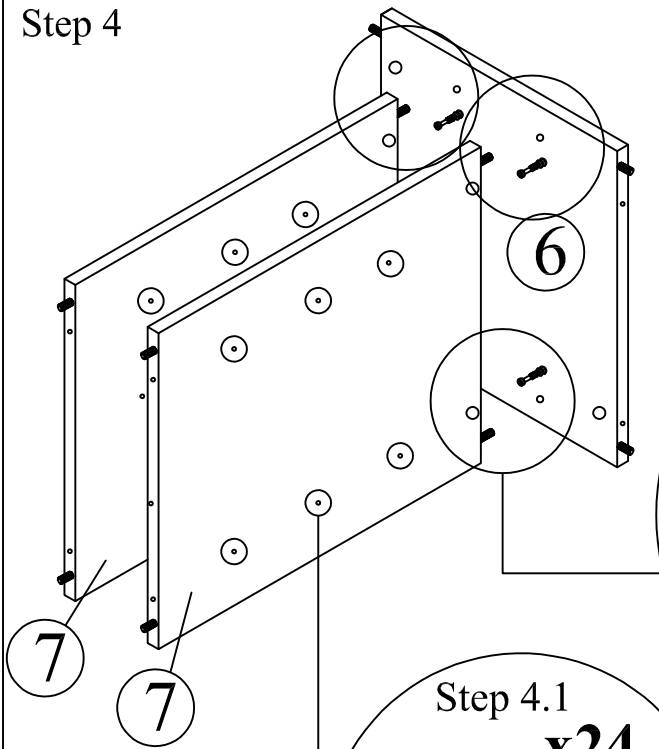
The head of the mini fix housing goes into the open mouth of the mini fix bolt. You then turn the mini fix housing so it tightens over the mini fix bolt.



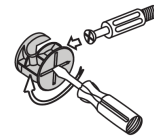
**\*Attach Minifix Cap as shown.**

**\*Lay a piece of sheet to protect the top surface**

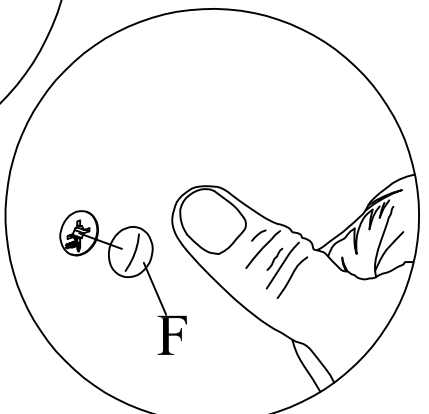
### Step 4



This is how a mini fix works...

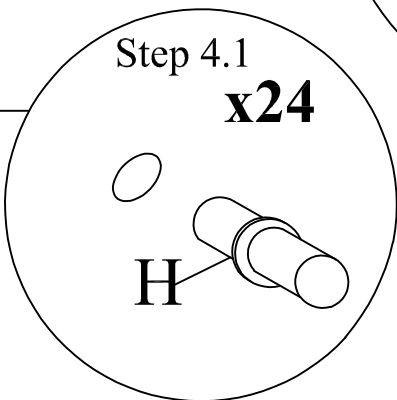


The head of the mini fix housing goes into the open mouth of the mini fix bolt. You then turn the mini fix housing so it tightens over the mini fix bolt.

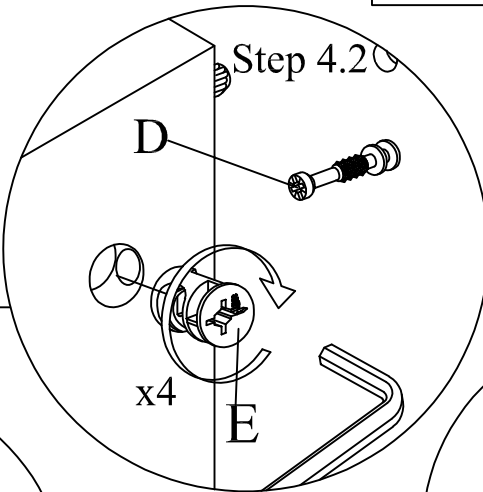


**\*Attach Minifix Cap as shown.**

Step 4.1  
**x24**



Step 4.2

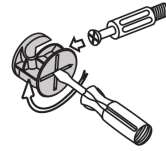


**\*Without edging/  
veneer facing  
downward**

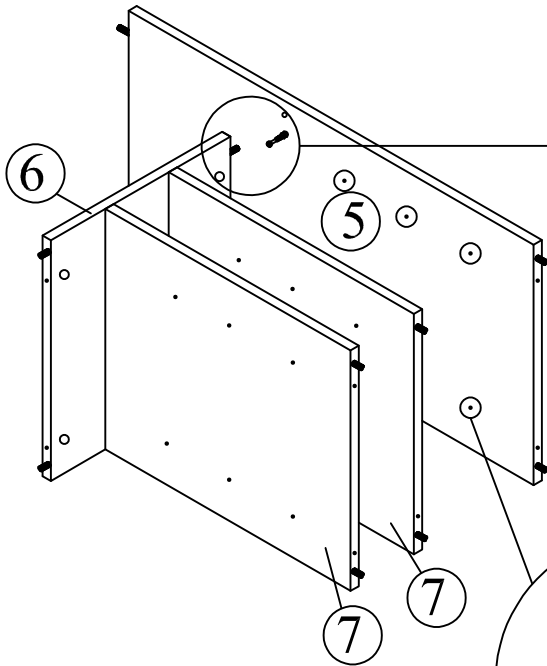


## Step 5

This is how a mini fix works...



The head of the mini fix housing goes into the open mouth of the mini fix bolt. You then turn the mini fix housing so it tightens over the mini fix bolt.



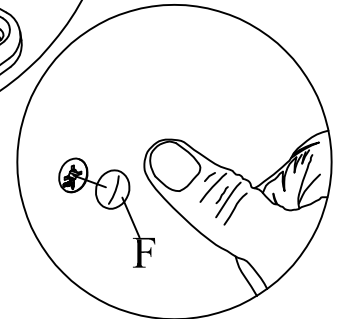
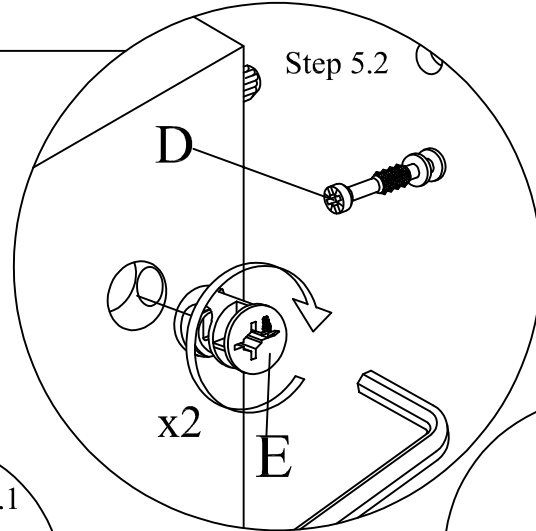
*\*Without edging/veneer facing downward*



**x6** Step 5.1



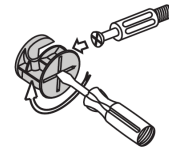
Step 5.2



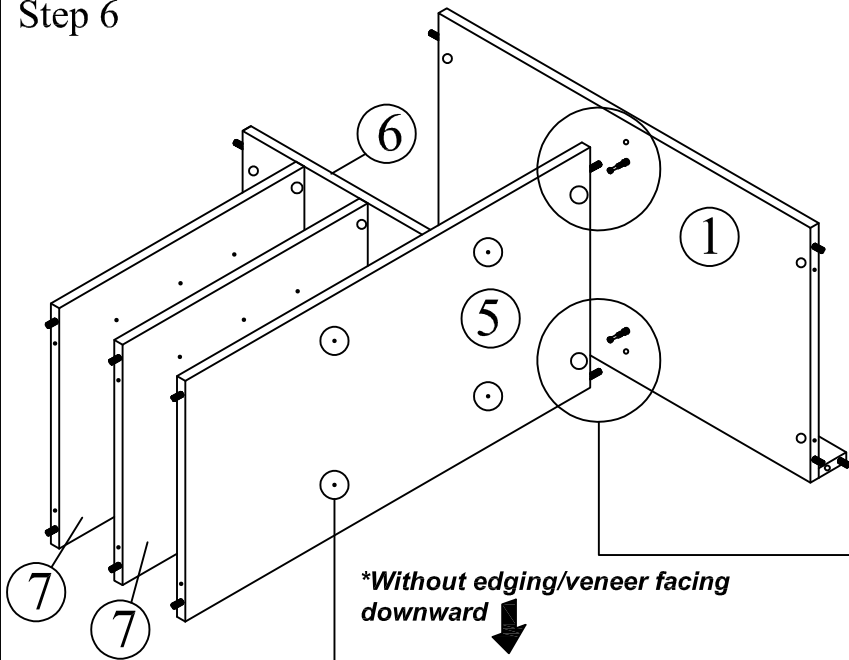
*\*Attach Minifix Cap as shown.*

## Step 6

This is how a mini fix works...



The head of the mini fix housing goes into the open mouth of the mini fix bolt. You then turn the mini fix housing so it tightens over the mini fix bolt.

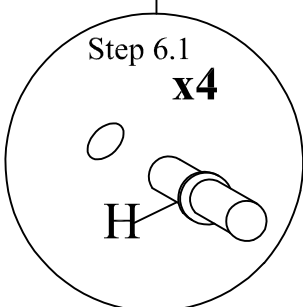


*\*Without edging/veneer facing downward*

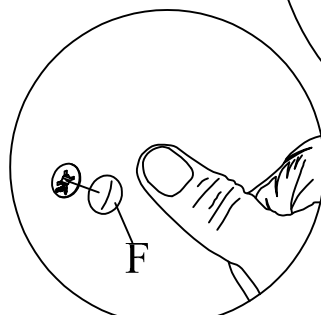
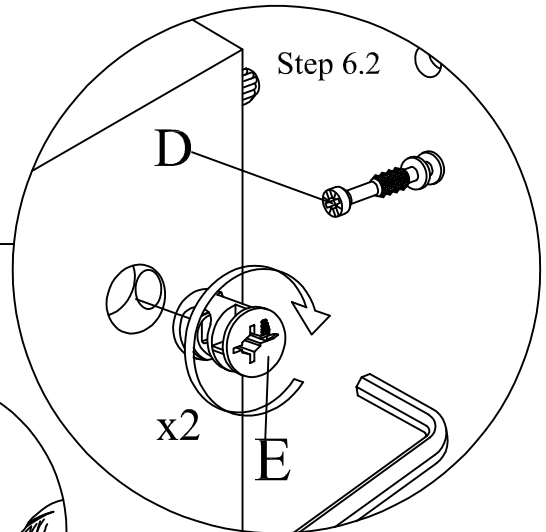


Step 6.1

**x4**



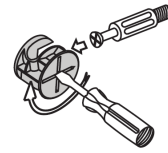
Step 6.2



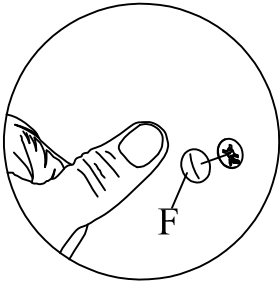
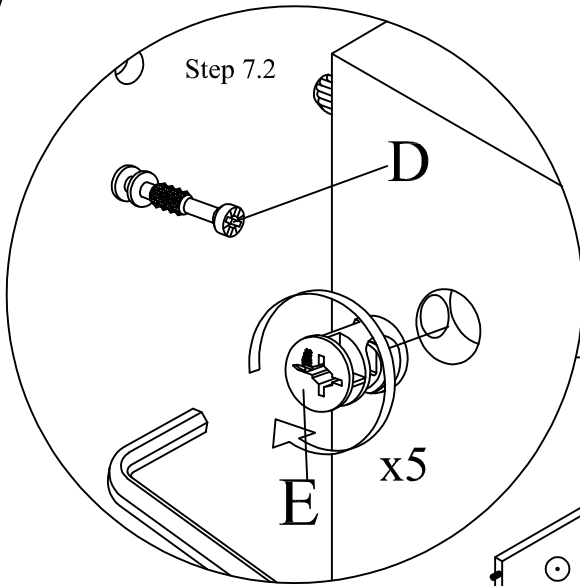
*\*Attach Minifix Cap as shown.*

# Step 7

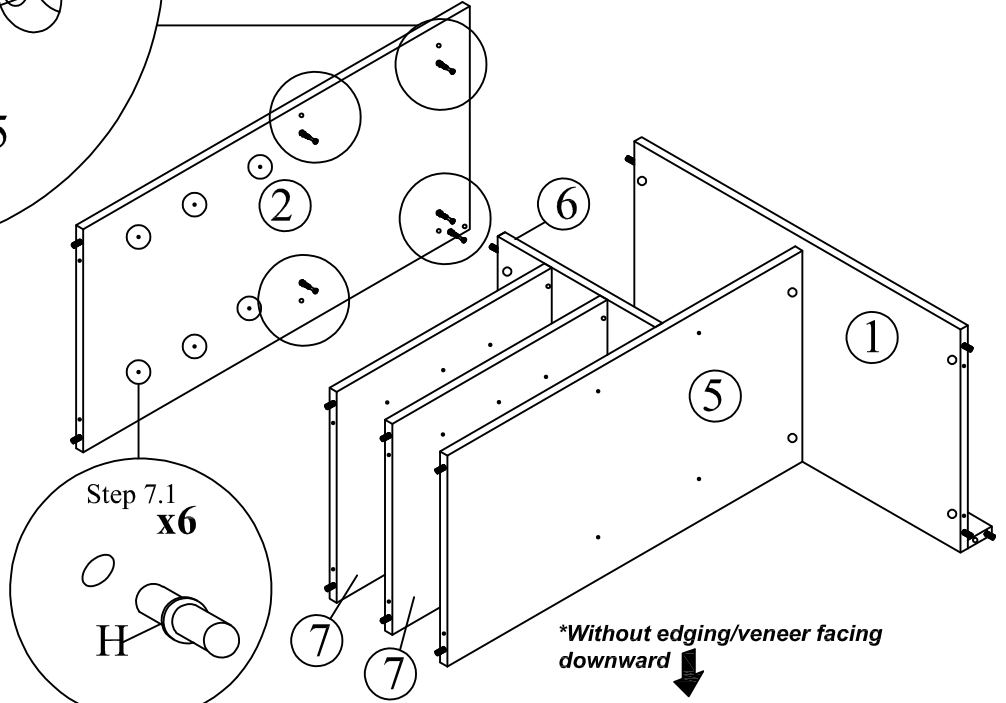
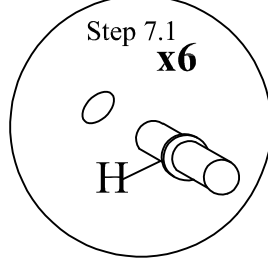
This is how a mini fix works...



The head of the mini fix housing goes into the open mouth of the mini fix bolt. You then turn the mini fix housing so it tightens over the mini fix bolt.

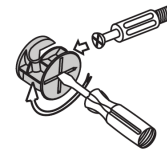


*\*Attach Minifix Cap as shown.*

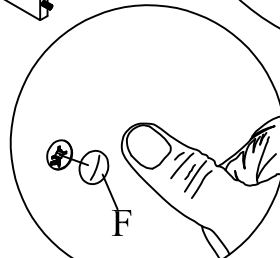
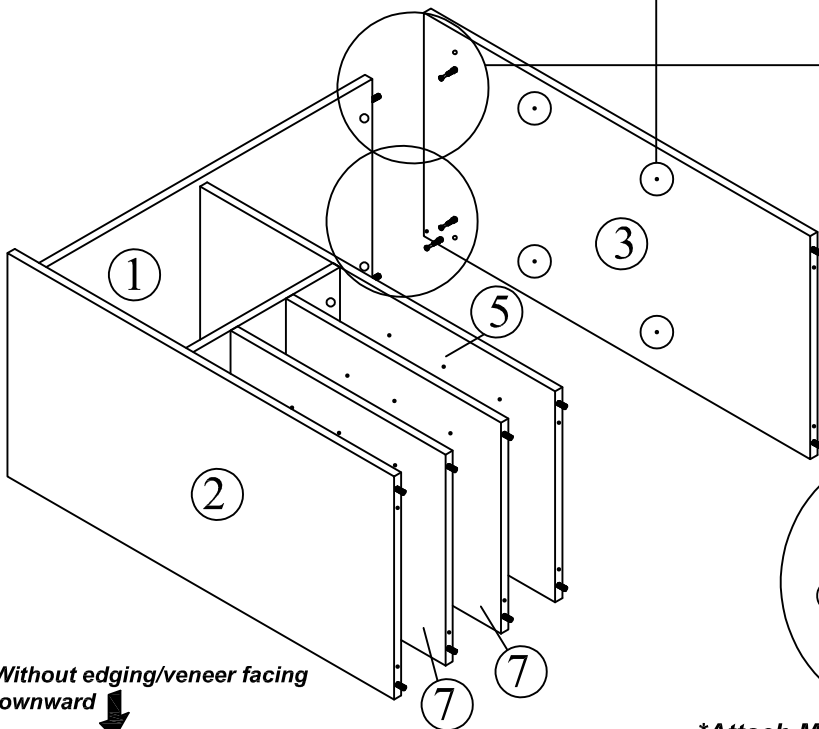
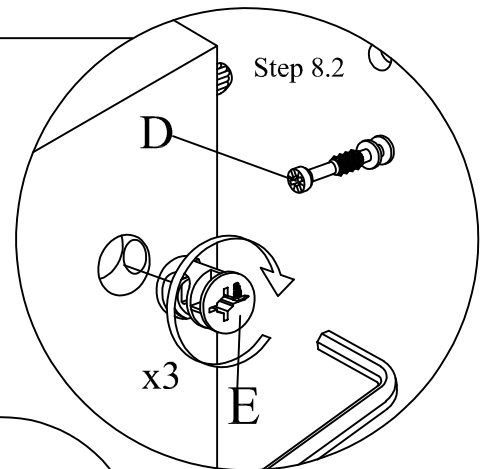
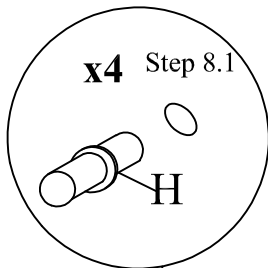


# Step 8

This is how a mini fix works...

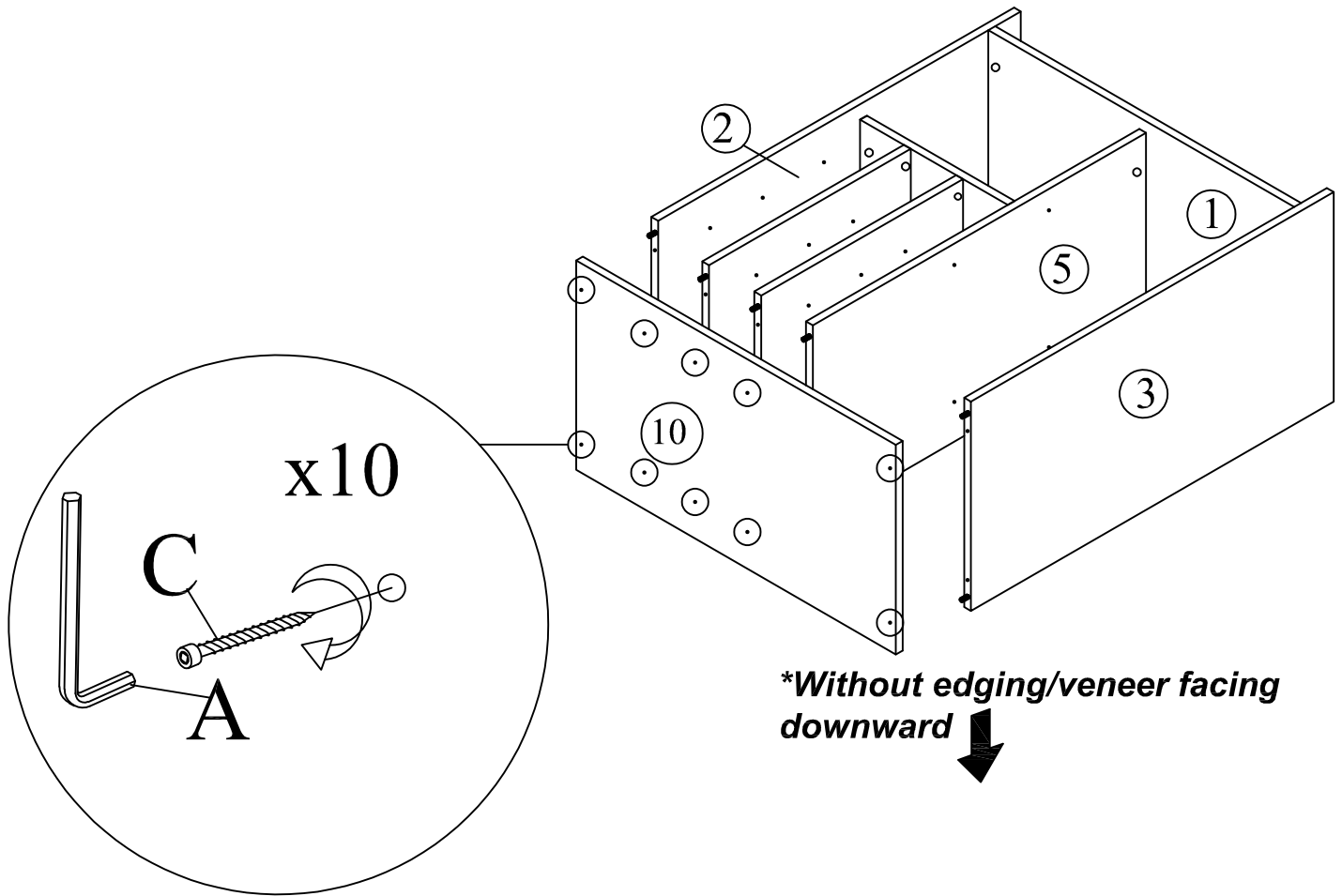


The head of the mini fix housing goes into the open mouth of the mini fix bolt. You then turn the mini fix housing so it tightens over the mini fix bolt.

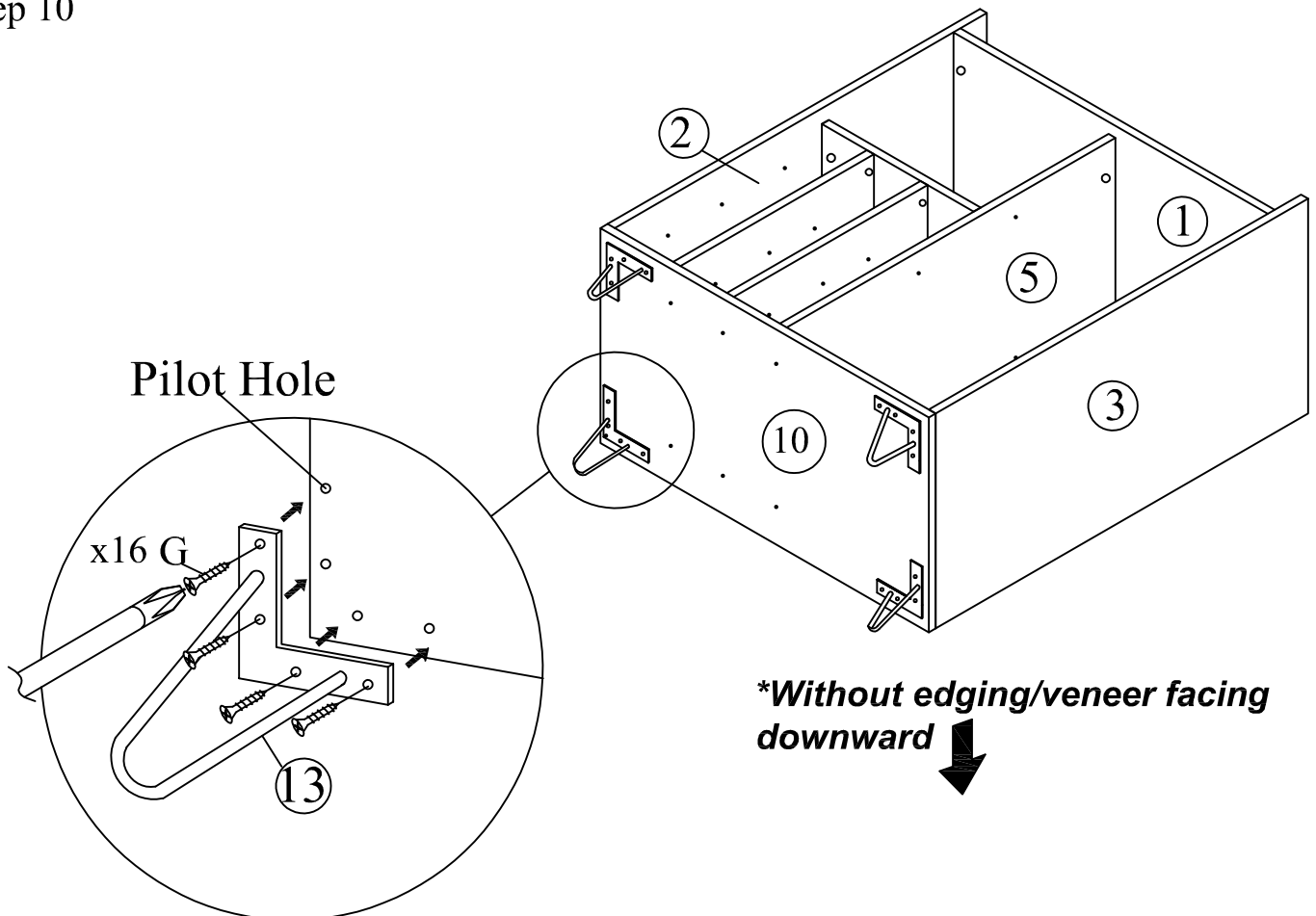


*\*Attach Minifix Cap as shown.*

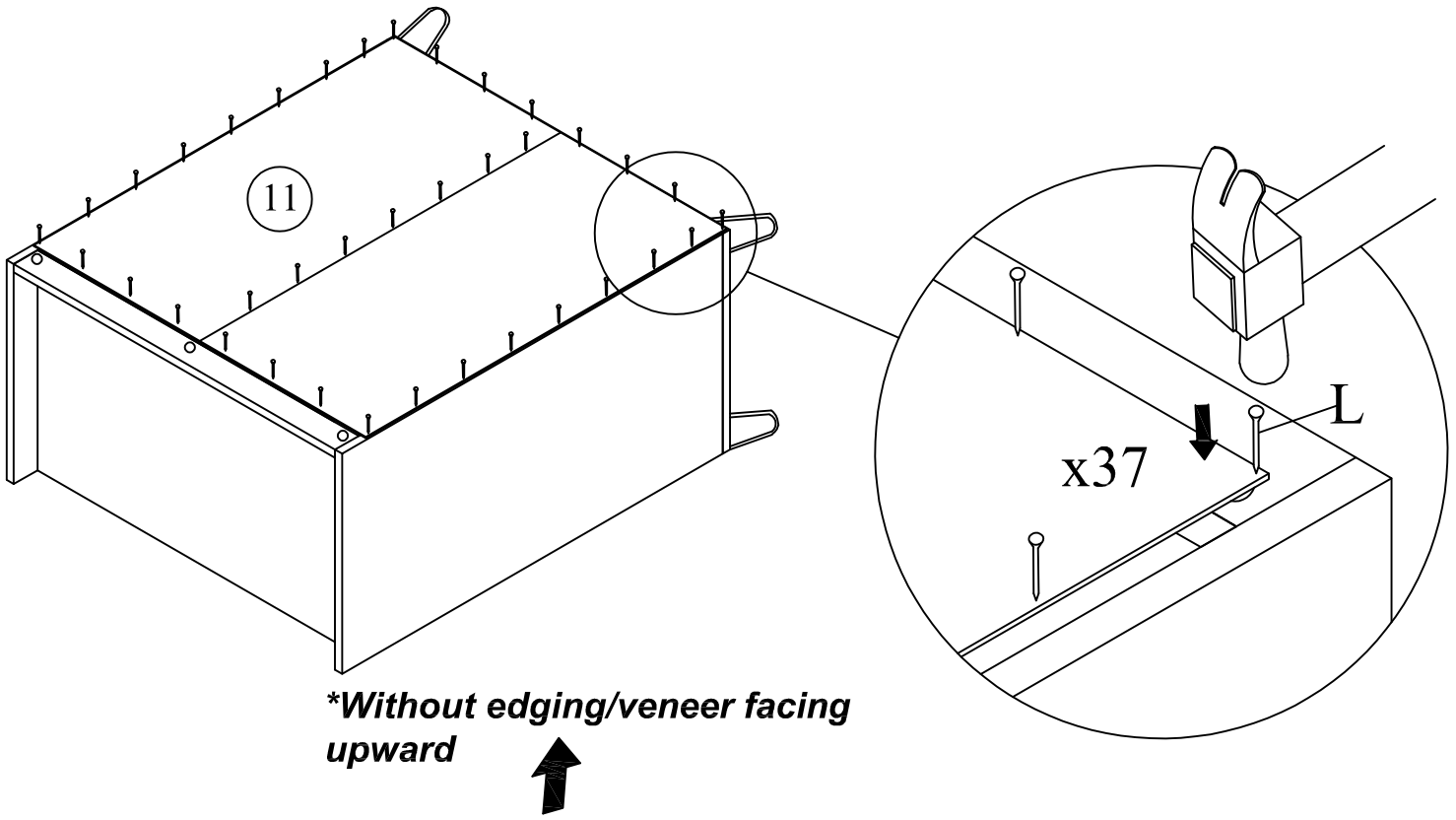
Step 9



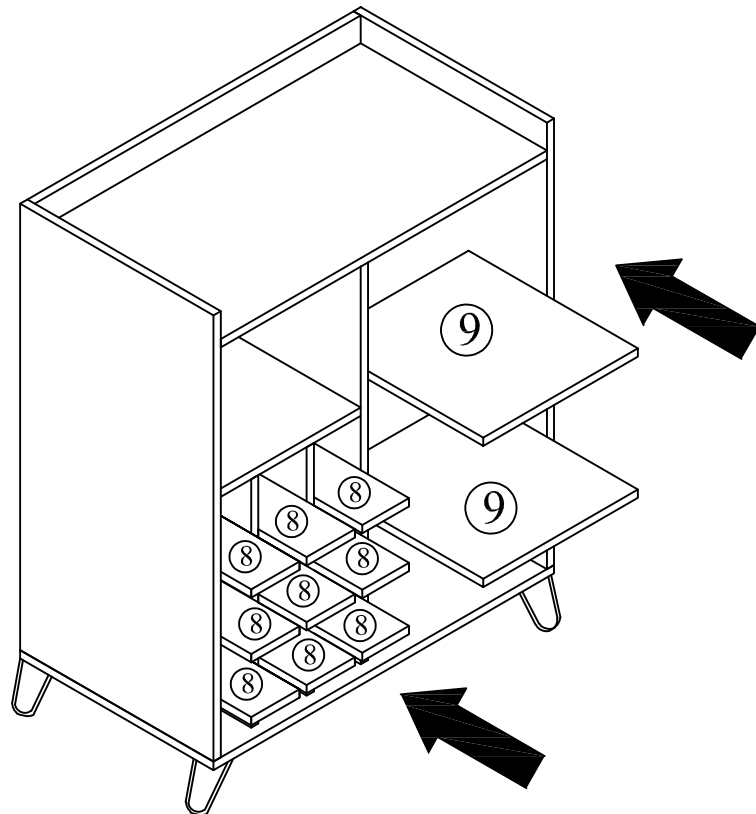
Step 10



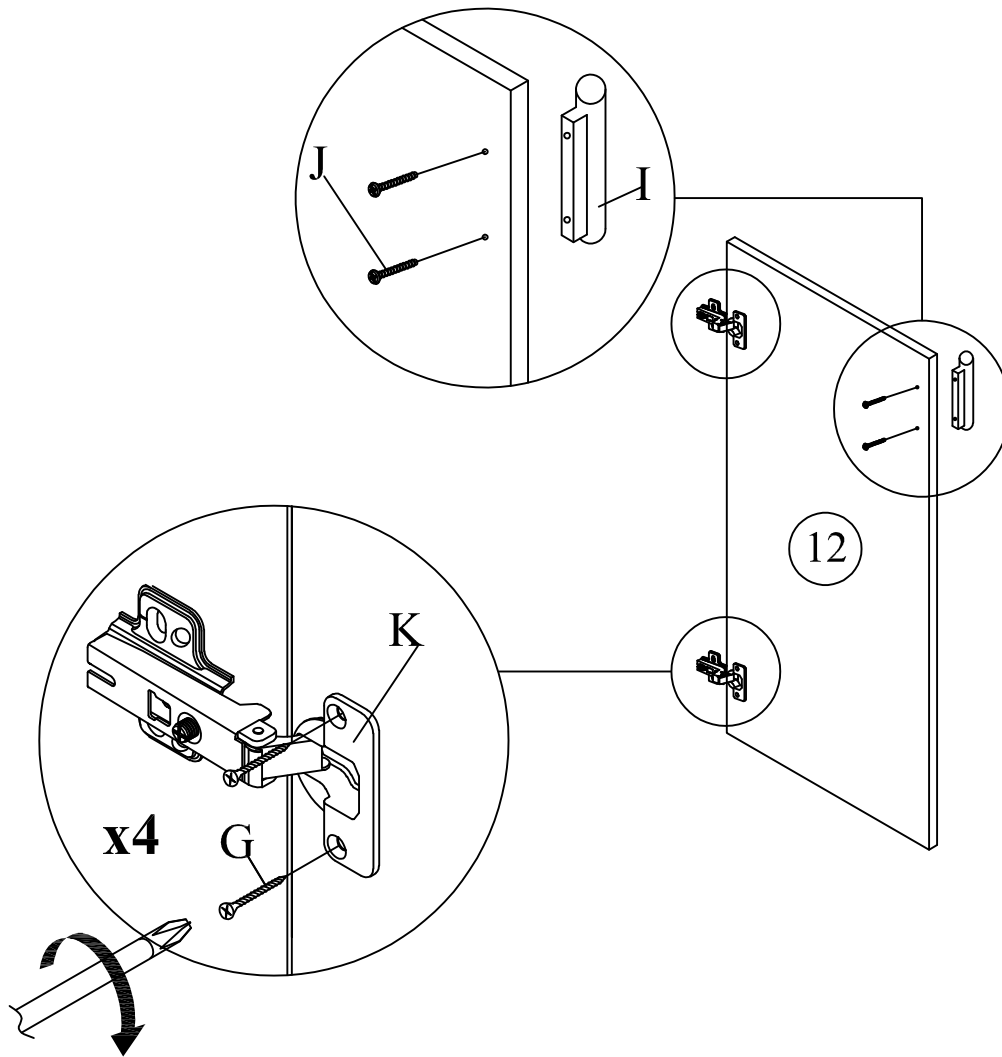
Step 11



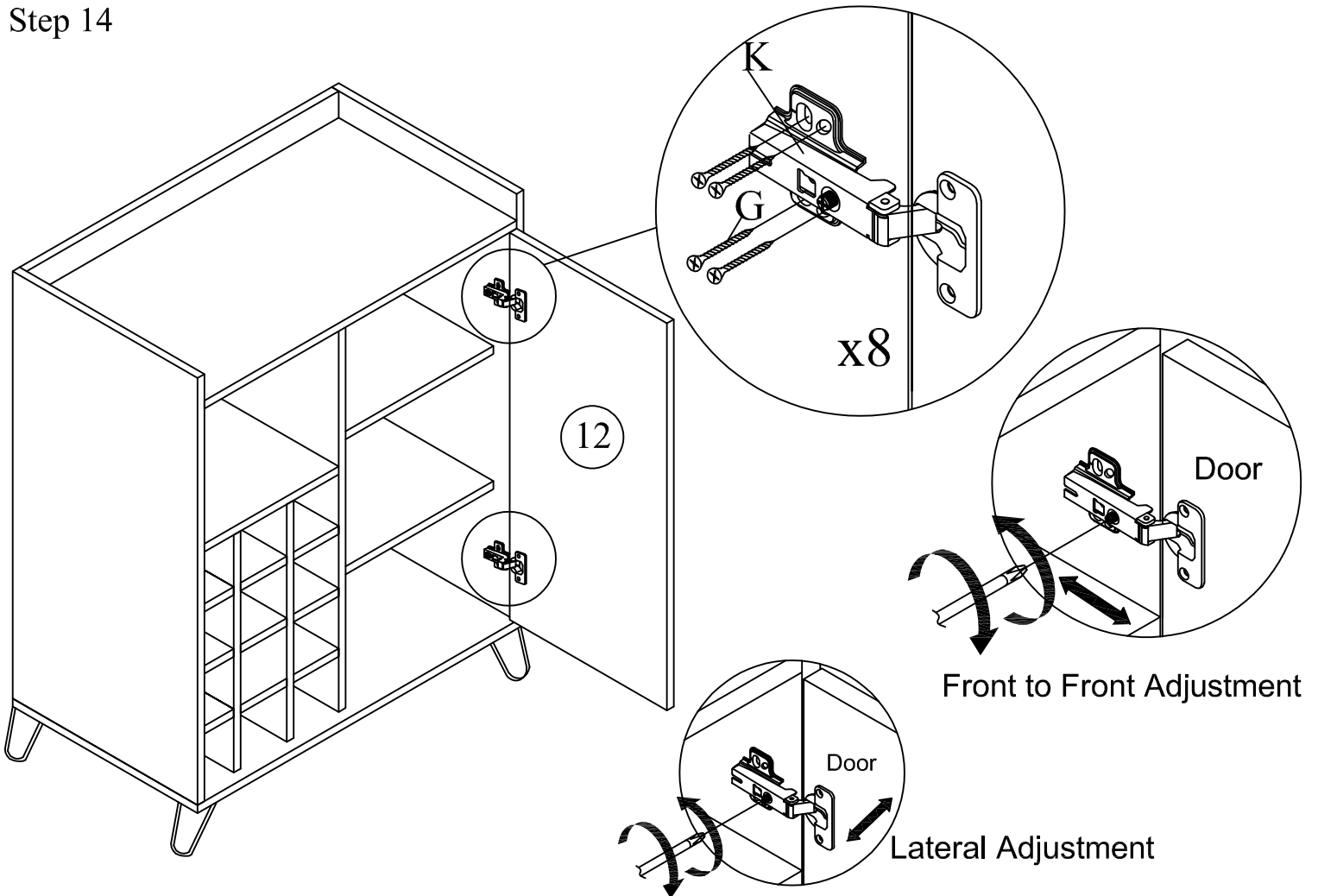
Step 12



# Step 13



# Step 14





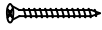
Anti -  
Tipping

(A)



CSK Screw  
M3.5x16mm  
1PC

(B)



CSK Screw  
M4x50mm  
1PC

(C)

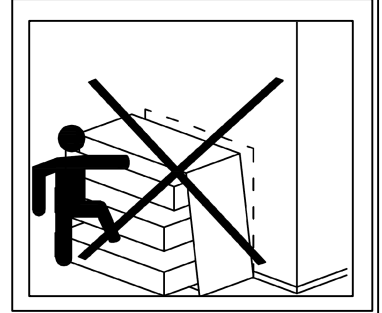
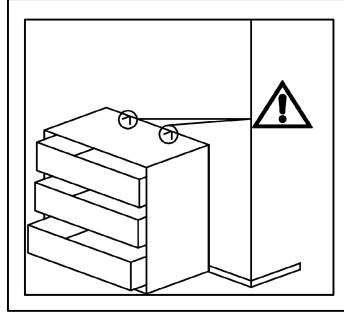


L BRACKET  
2PCS

(D)



CABLE TIE  
1PC



BACK VIEW

