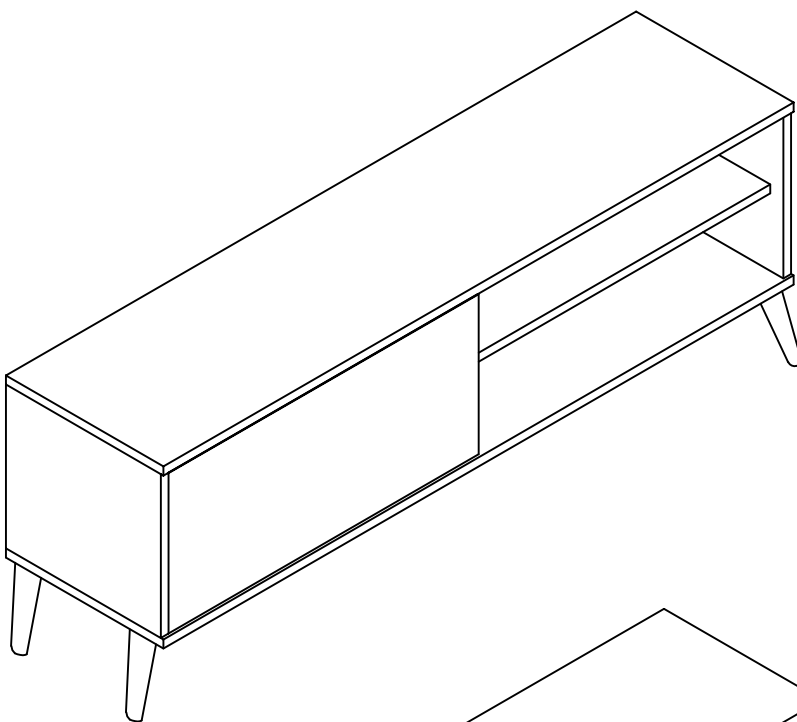

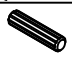
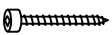



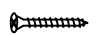
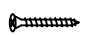
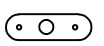





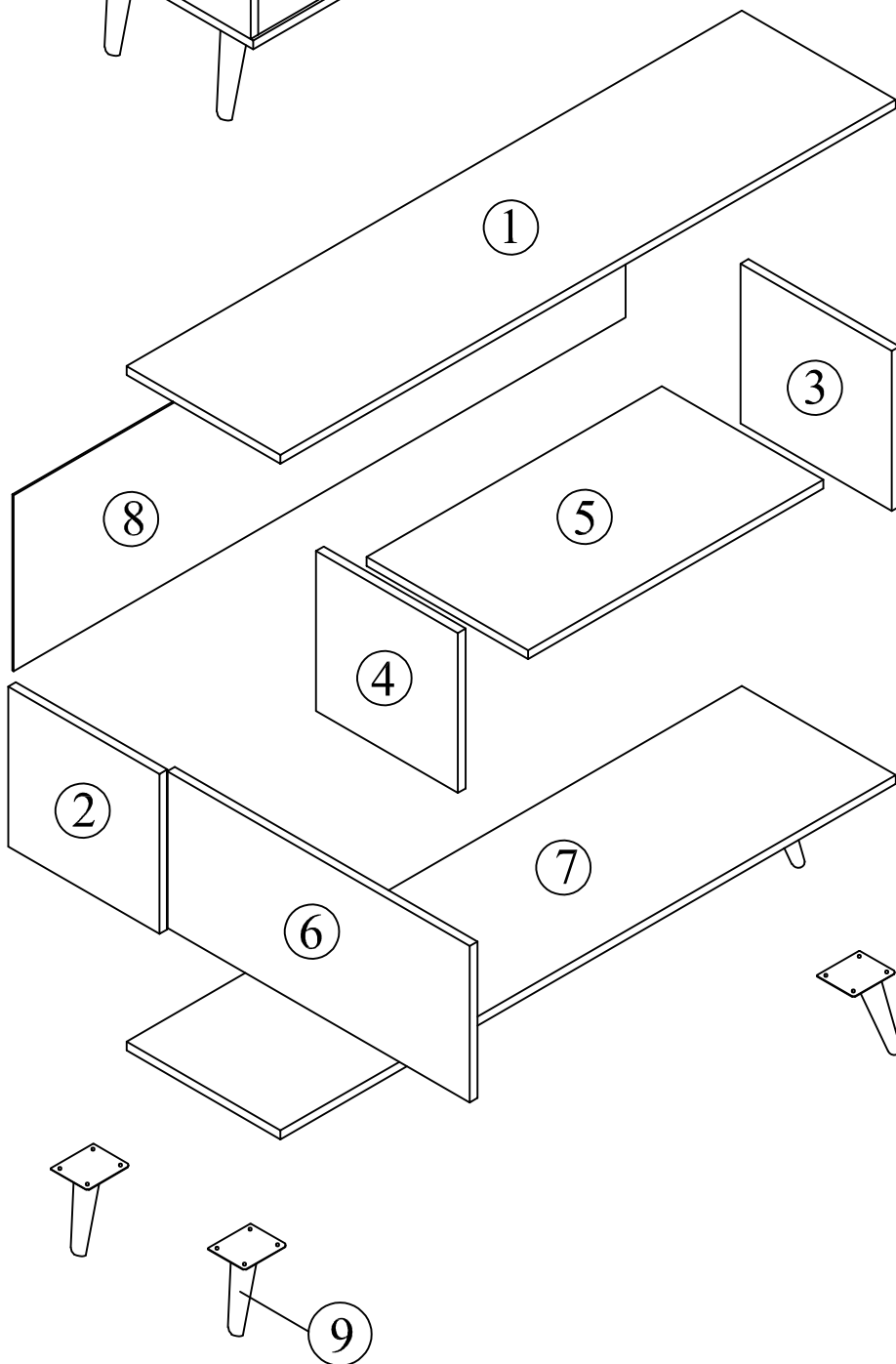
Assembly Instructions

Model: TV 8009

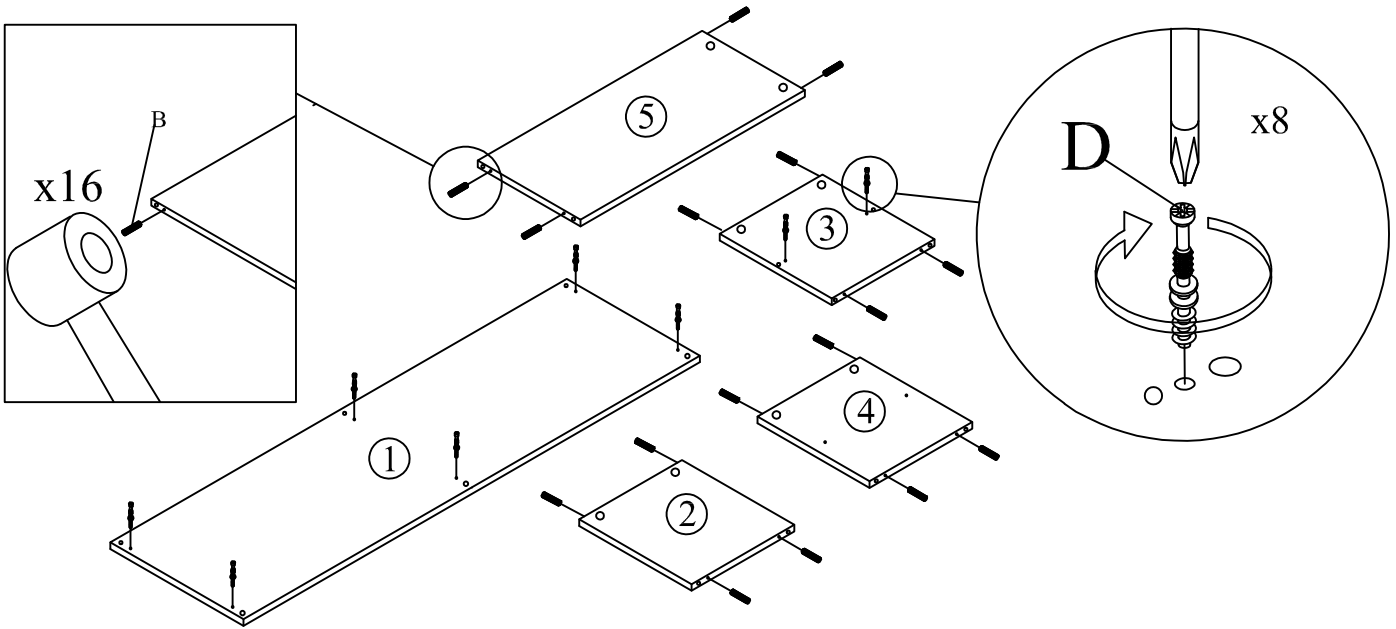
Part List		QTY
1	Top Panel	1
2	Left Side Panel	1
3	Right Side Panel	1
4	Middle Panel	1
5	Middle Support Panel	1
6	Door Panel	1
7	Bottom Panel	1
8	Back Panel	1
9	Plastic Legs	4



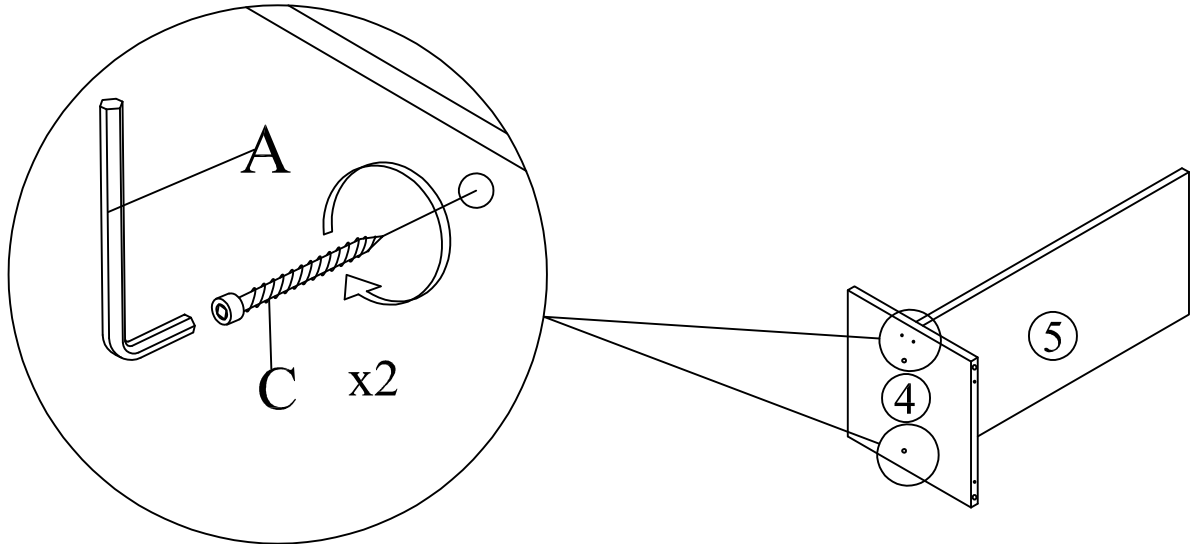
Hardware		QTY
A	Allen Key M4 	1
B	Wood Dowel 	16
C	JCBC W Screw M6x40 	8
D	Mini Fix Bolt 	8
E	Mini Fix Housing 	8
F	Mini Fix Cap 	8
G	CSK Screw M3.5x16mm 	16
H	CSK Screw M3.5x12mm 	1
I	Magnet Plate 	1
J	Magnet 	1
K	Door Support 	2
L	Power Nail $\frac{5}{8}$ 	30



Step 1

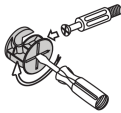


Step 2

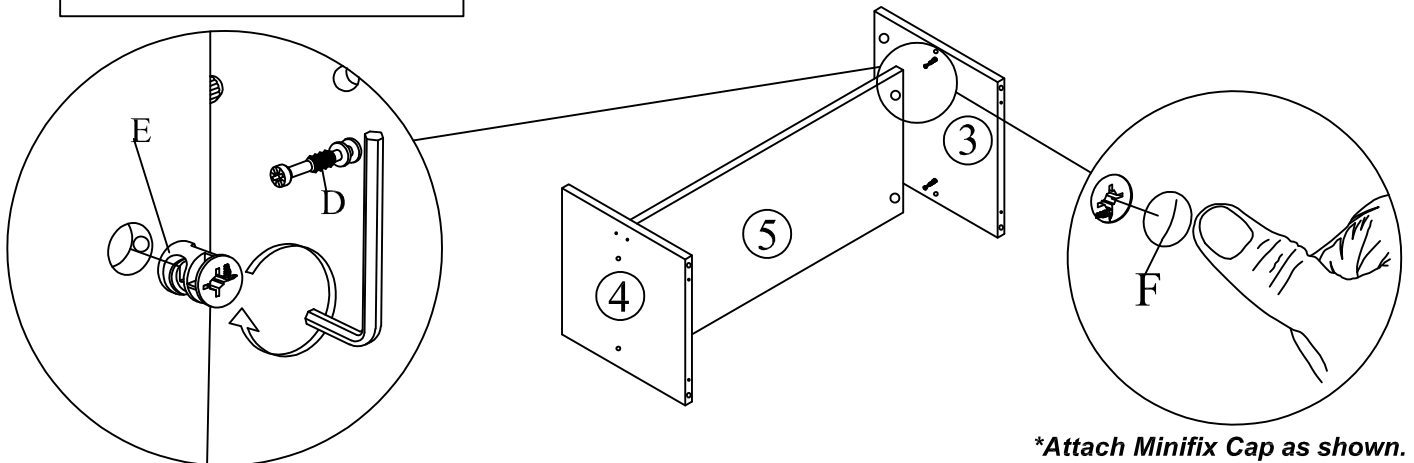


Step 3

This is how a mini fix works...

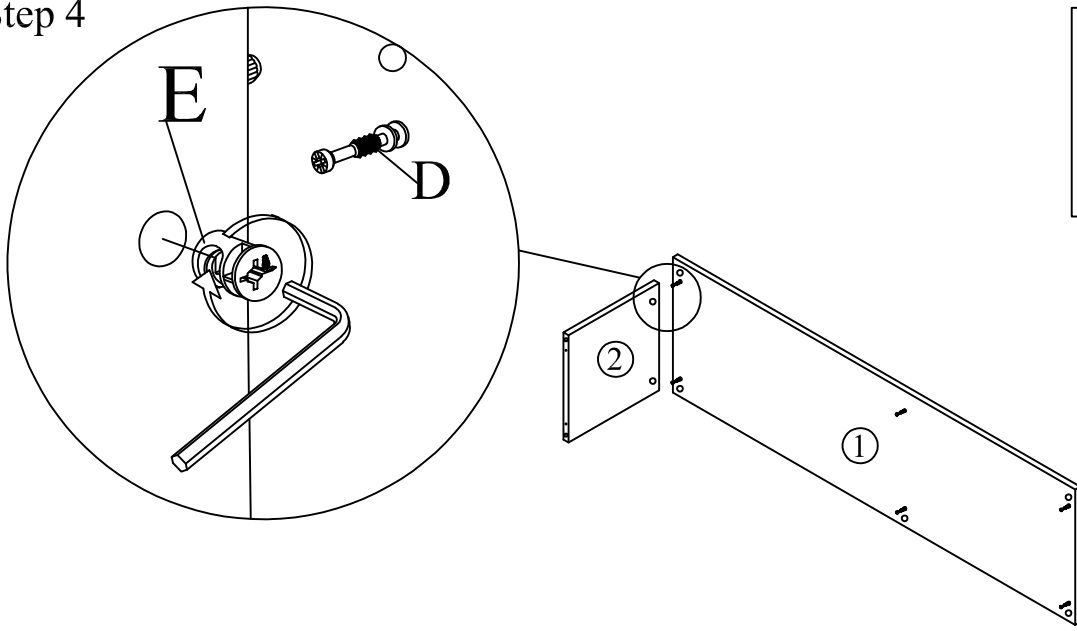


The head of the mini fix housing goes into the open mouth of the mini fix bolt. You then turn the mini fix housing so it tightens over the mini fix bolt.



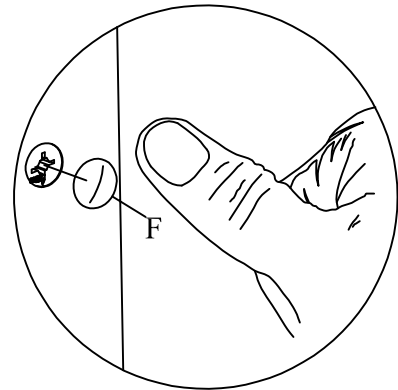
***Attach Minifix Cap as shown.**

Step 4



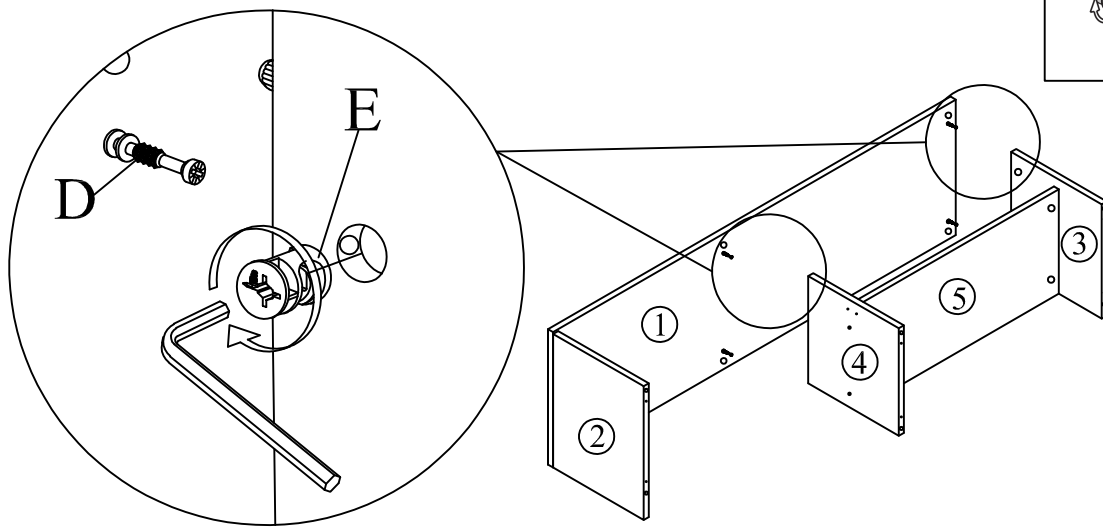
This is how a mini fix works...

The head of the mini fix housing goes into the open mouth of the mini fix bolt. You then turn the mini fix housing so it tightens over the mini fix bolt.



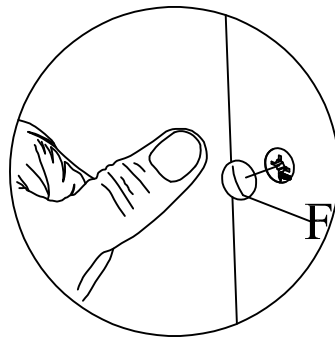
***Attach Minifix Cap as shown.**

Step 5



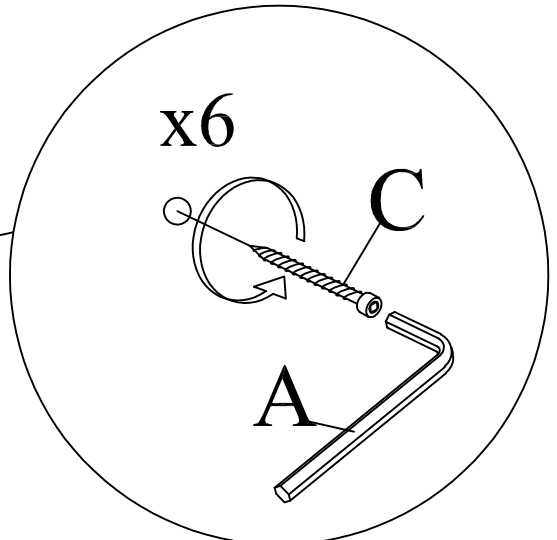
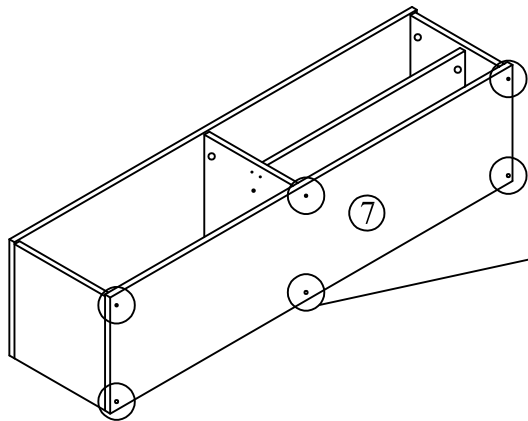
This is how a mini fix works...

The head of the mini fix housing goes into the open mouth of the mini fix bolt. You then turn the mini fix housing so it tightens over the mini fix bolt.

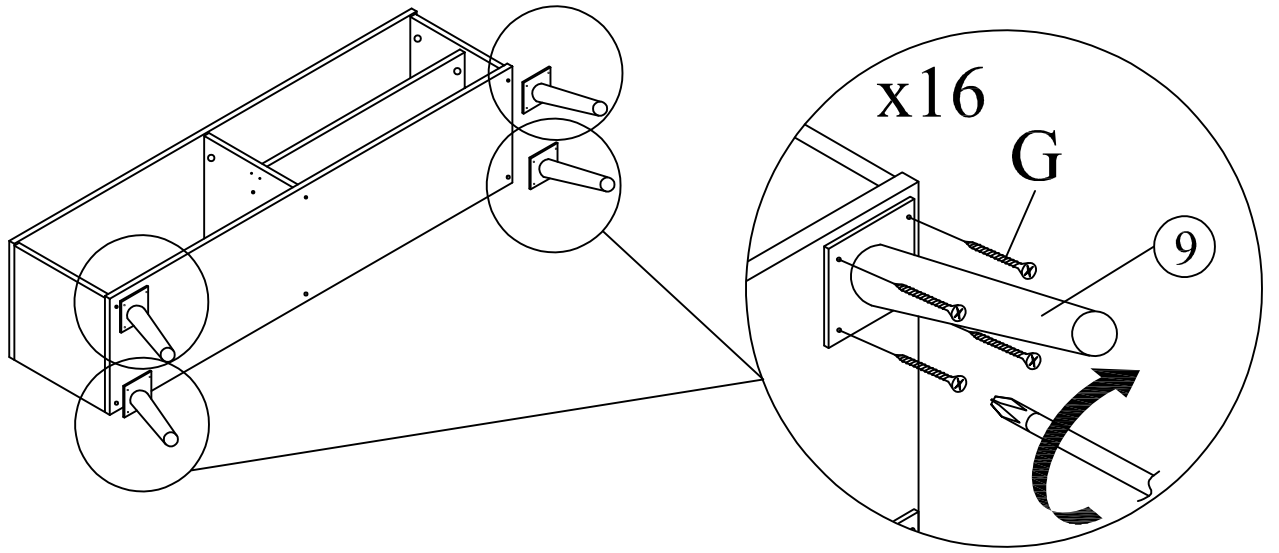


***Attach Minifix Cap as shown.**

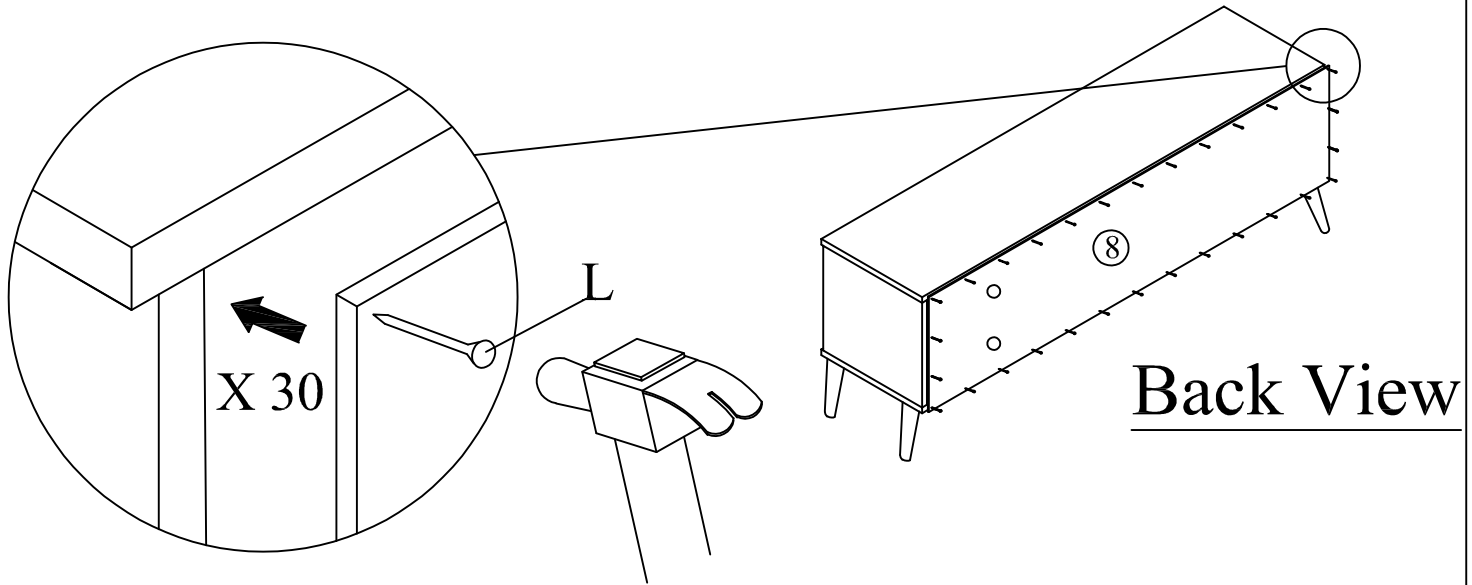
Step 6



Step 7



Step 8



Step 9

