


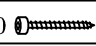

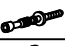



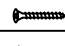
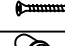





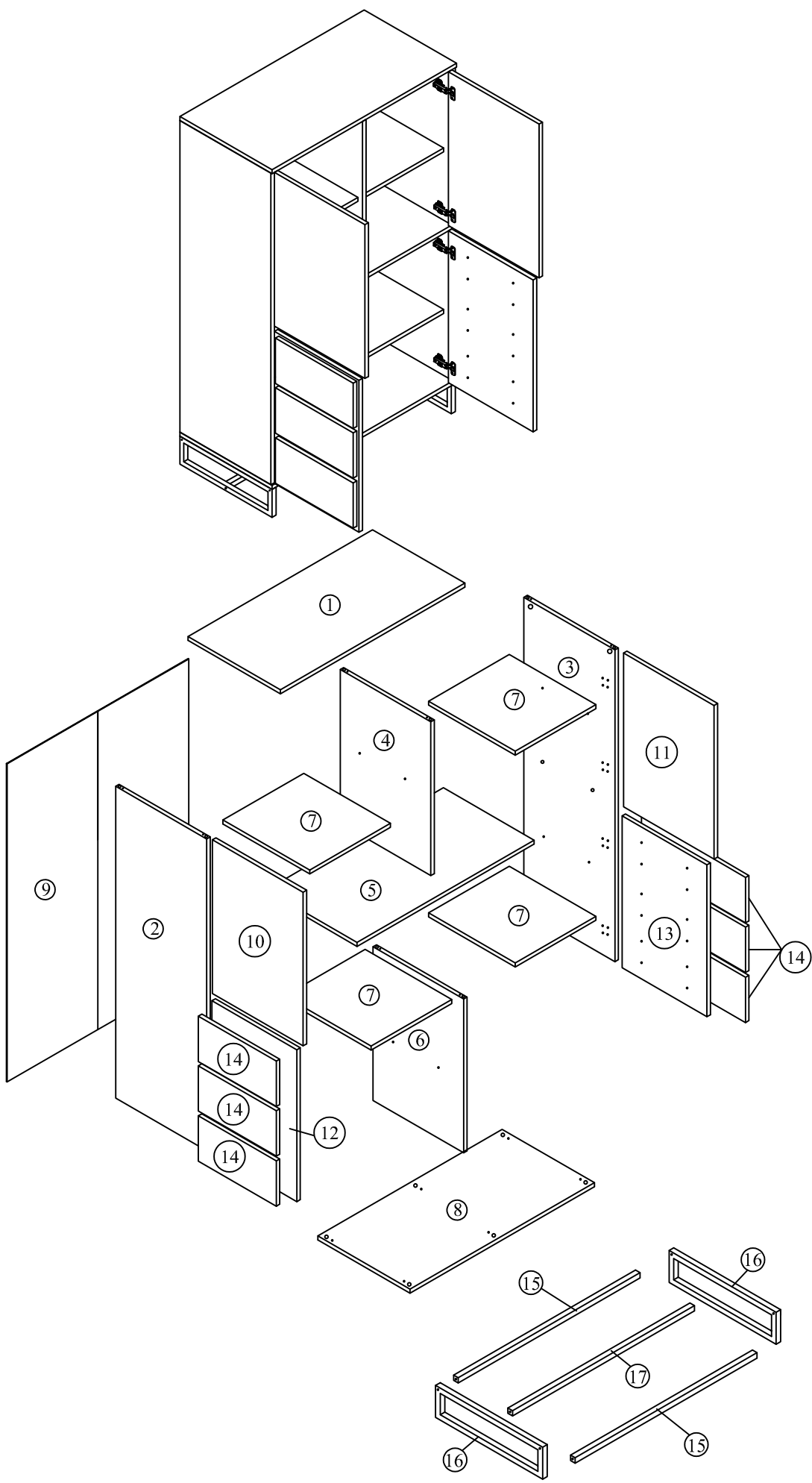


# Assembly Instructions

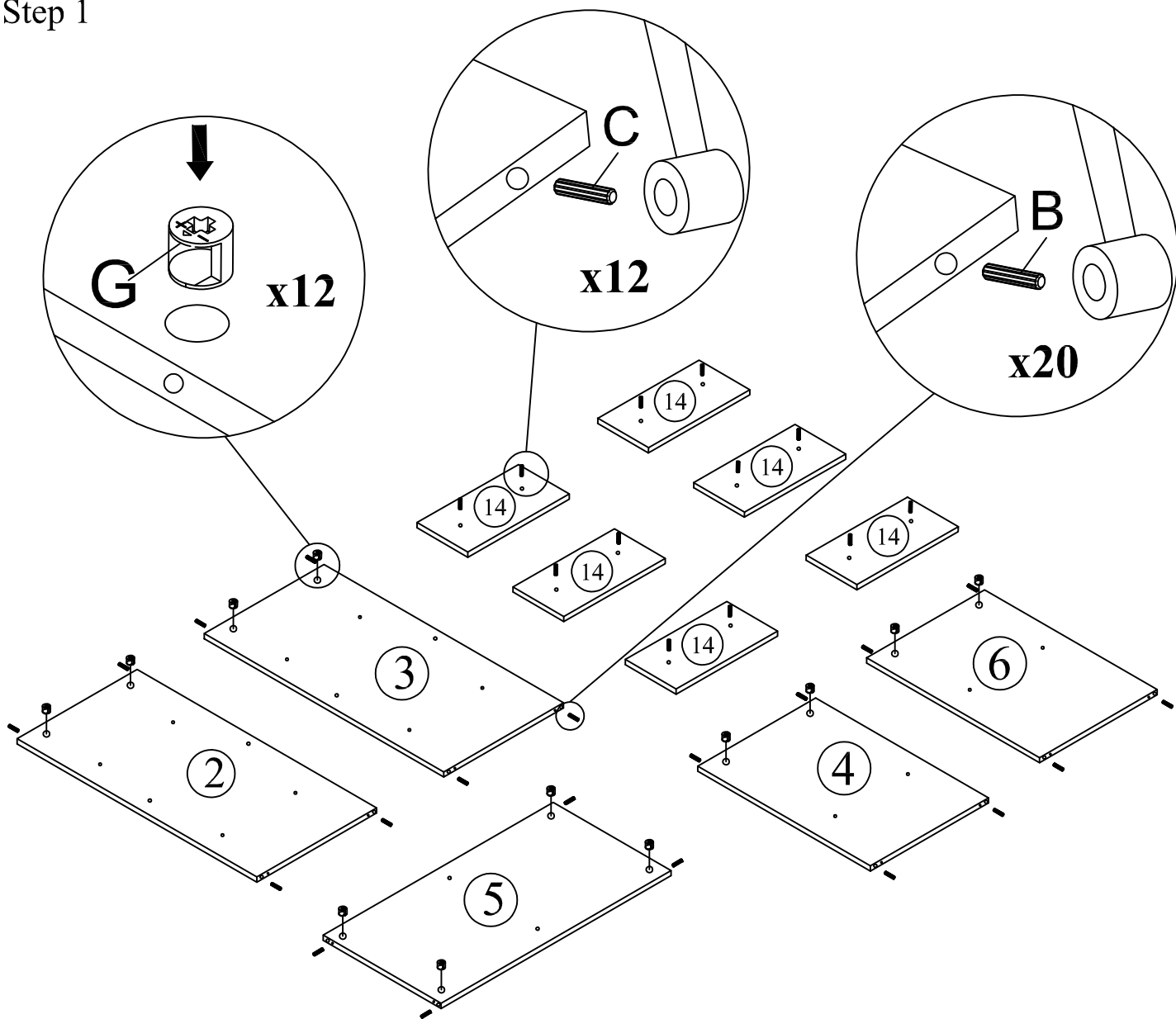
Model: MPC - 8010

Part List		QTY
1	Top Panel	1
2	Left Side Panel	1
3	Right Side Panel	1
4	Upper Center Panel	1
5	Middle Panel	1
6	Lower Center Panel	1
7	Middle Support Panel	4
8	Bottom Panel	1
9	Back Panel	2
10	Upper Left Door Panel	1
11	Upper Right Door Panel	1
12	Lower Left Door Panel	1
13	Lower Right Door Panel	1
14	Door Support Panel	6
15	Metal Support Legs	2
16	Metal Frame Legs	2
17	Metal Center Legs	1

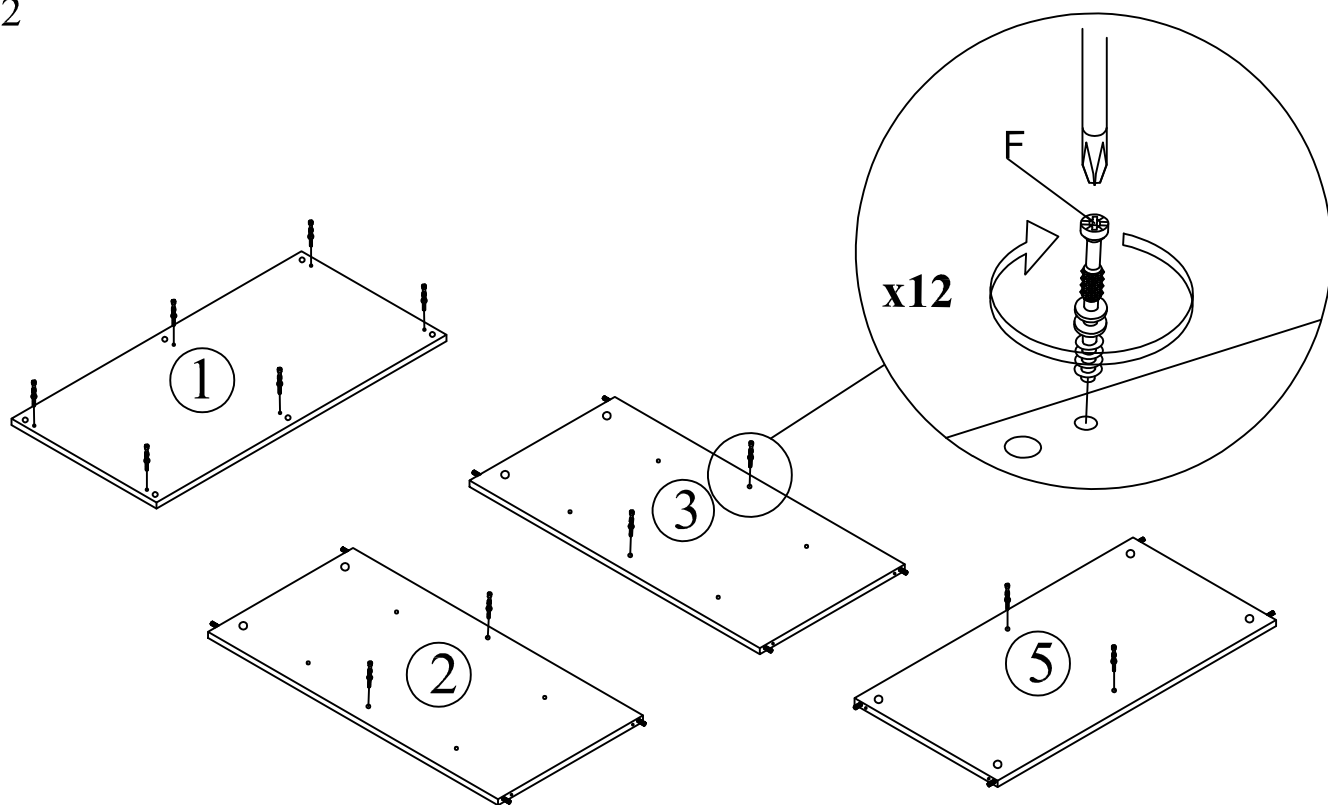
Hardware		QTY
A	Allen Key M4 	1
B	Plastic Dowel 	20
C	Wood Dowel 	12
D	JCBC W Screw M6x40 	8
E	JCBC Screw M6 X 50 Flat & Spring Washer 	6
F	Mini Fix Bolt 	12
G	Mini Fix Housing 	12
H	Mini Fix Cap 	12
I	CSK Screw M4x28mm 	24
J	CSK Screw M3.5x16mm 	64
K	CSK Screw M4x32mm 	6
L	Shell Support Metal 	16
M	Power Nail 5/8 	72
N	5/8 Hinge 	8
O	Door Spring 	4
P	Magnet Spring 	4



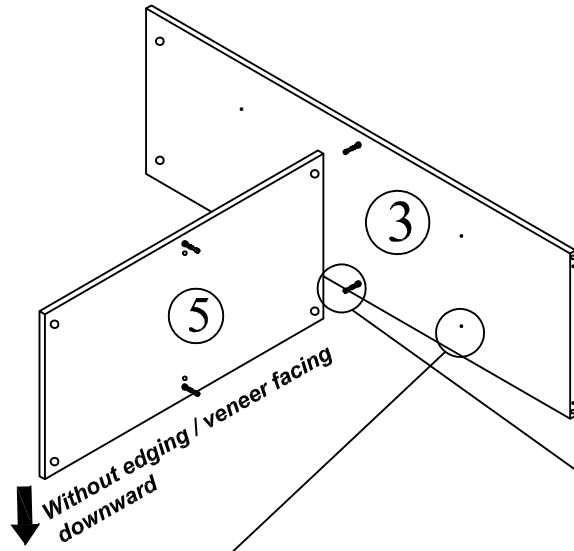
# Step 1



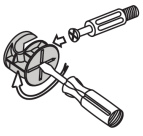
# Step 2



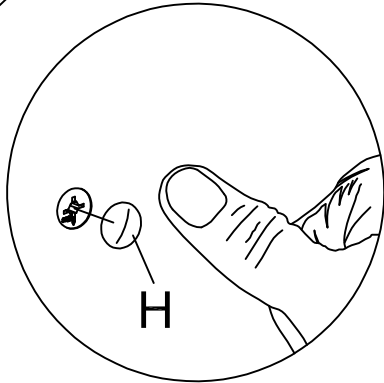
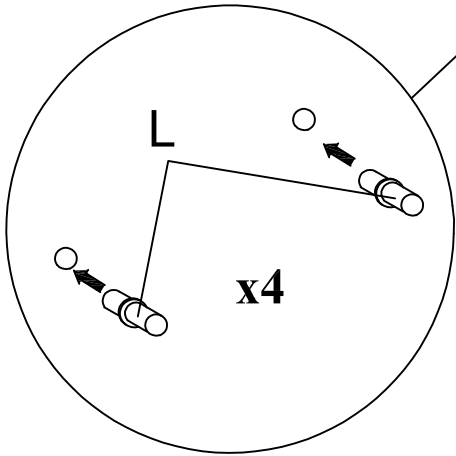
### Step 3



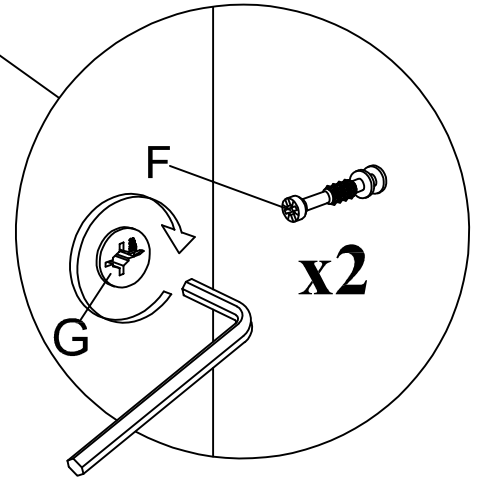
This is how a mini fix works...



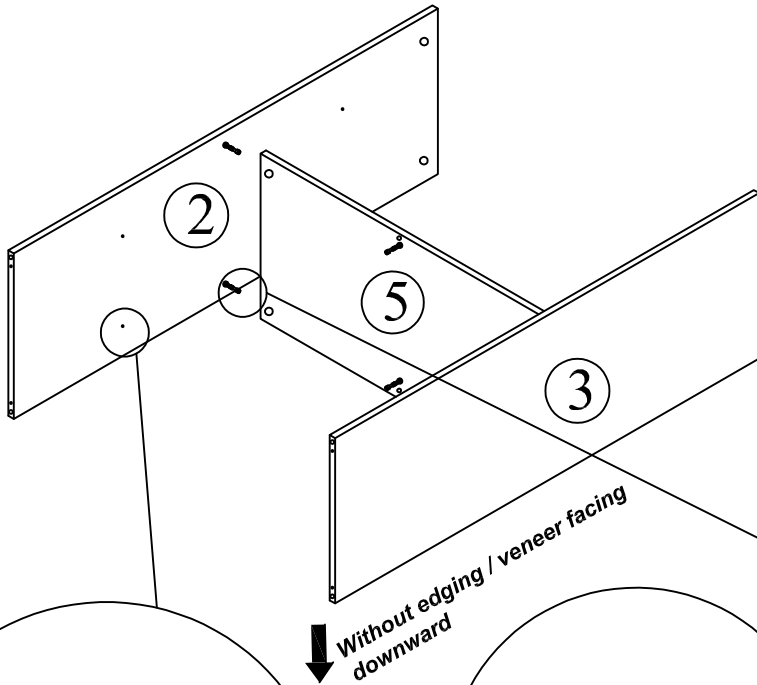
The head of the mini fix housing goes into the open mouth of the mini fix bolt. You then turn the mini fix housing so it tightens over the mini fix bolt.



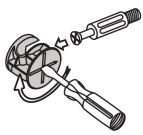
*\*Attach Minifix Cap as shown.*



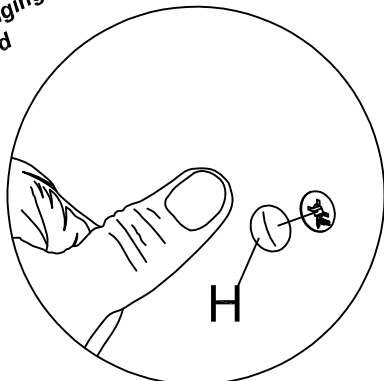
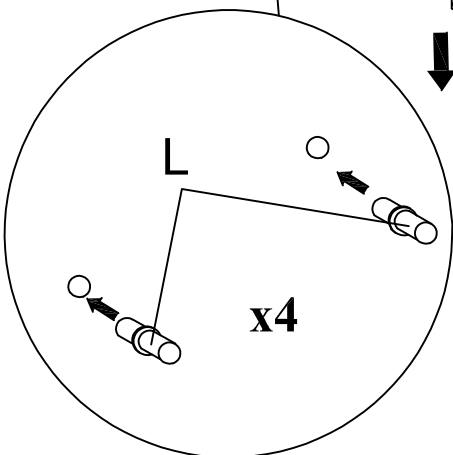
### Step 4



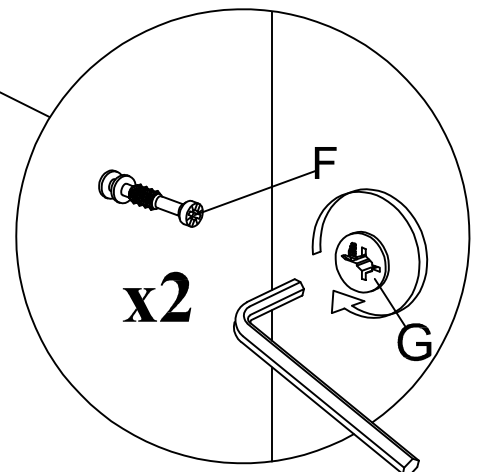
This is how a mini fix works...



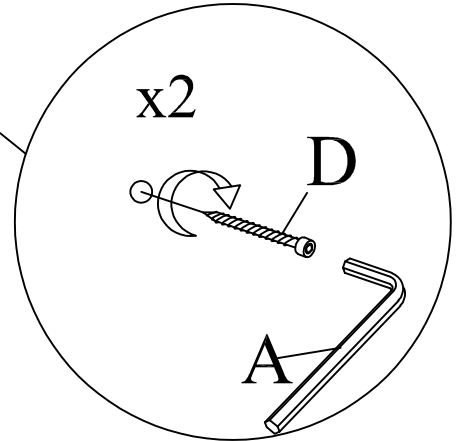
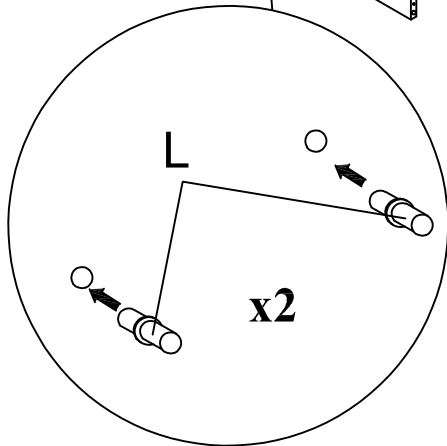
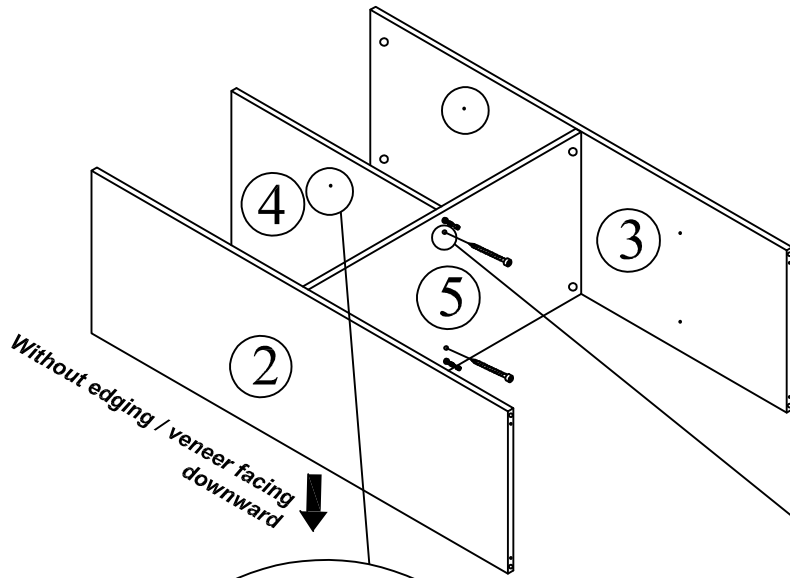
The head of the mini fix housing goes into the open mouth of the mini fix bolt. You then turn the mini fix housing so it tightens over the mini fix bolt.



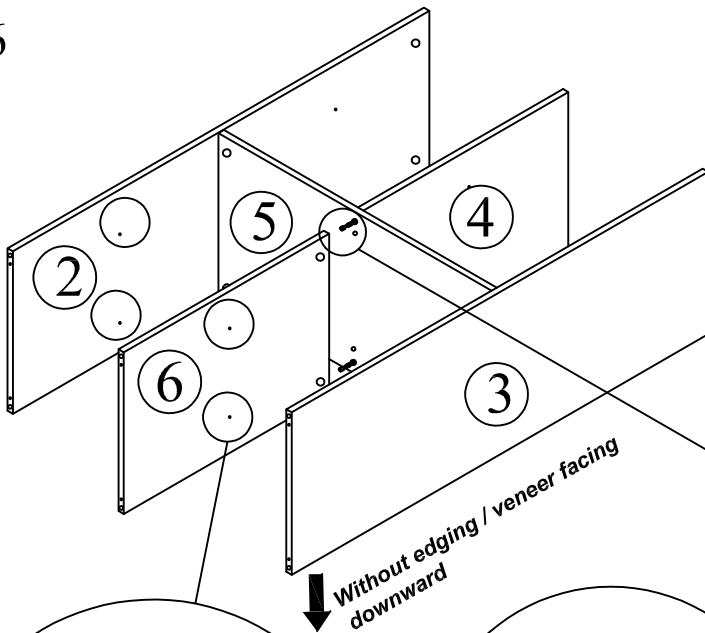
*\*Attach Minifix Cap as shown.*



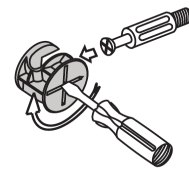
## Step 5



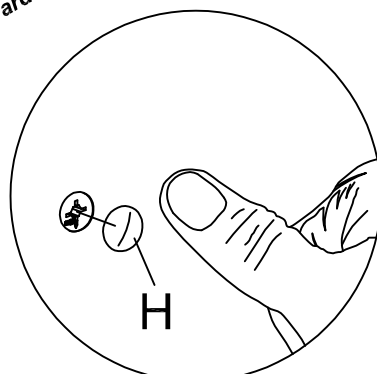
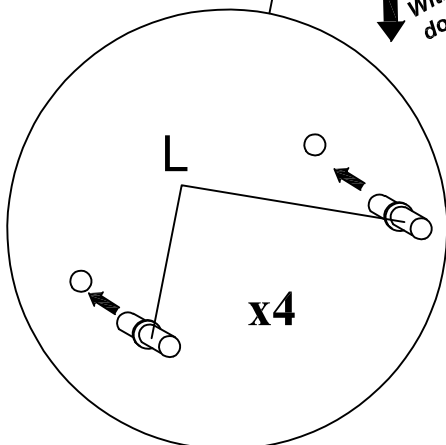
## Step 6



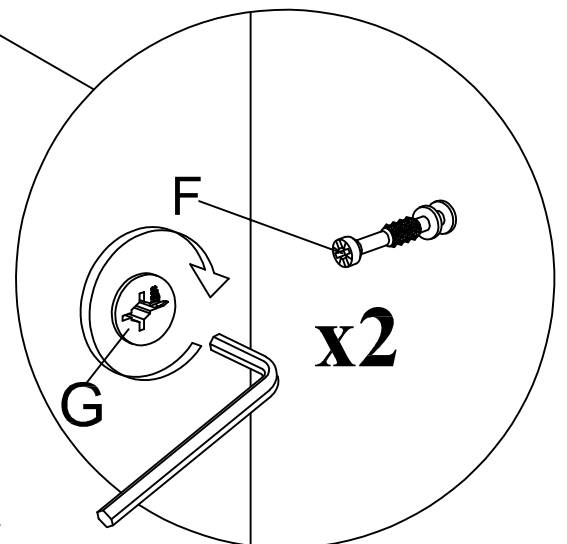
This is how a mini fix works...



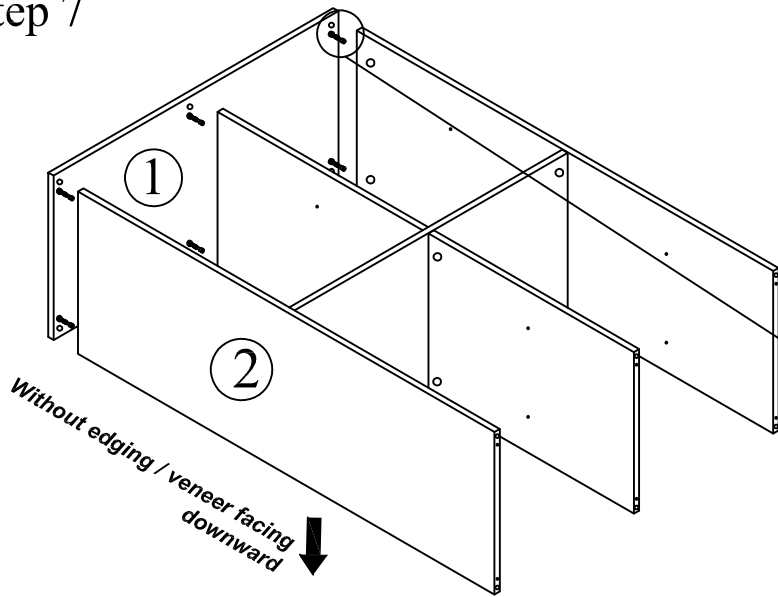
The head of the mini fix housing goes into the open mouth of the mini fix bolt. You then turn the mini fix housing so it tightens over the mini fix bolt.



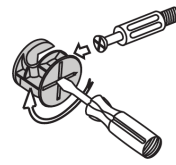
*\*Attach Minifix Cap as shown.*



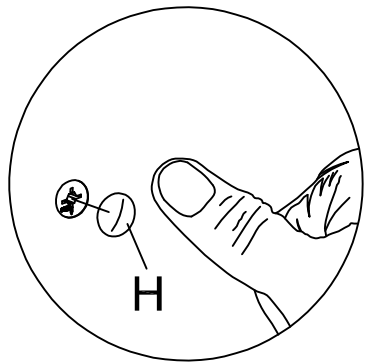
## Step 7



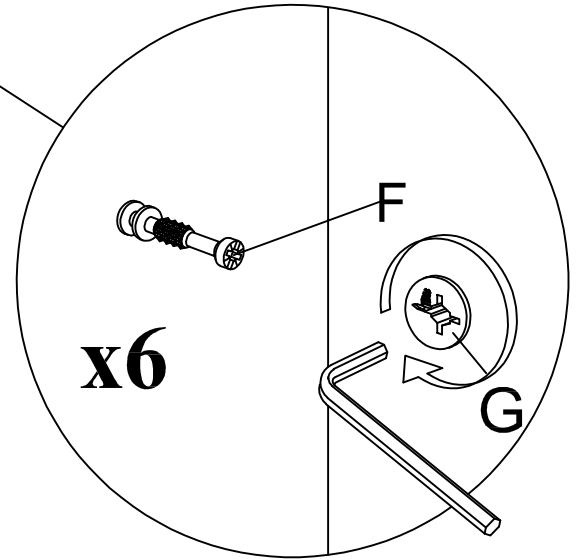
This is how a mini fix works...



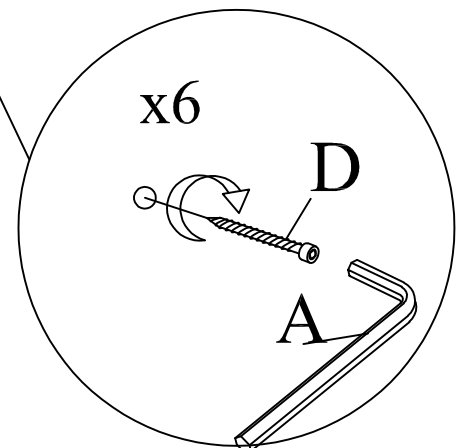
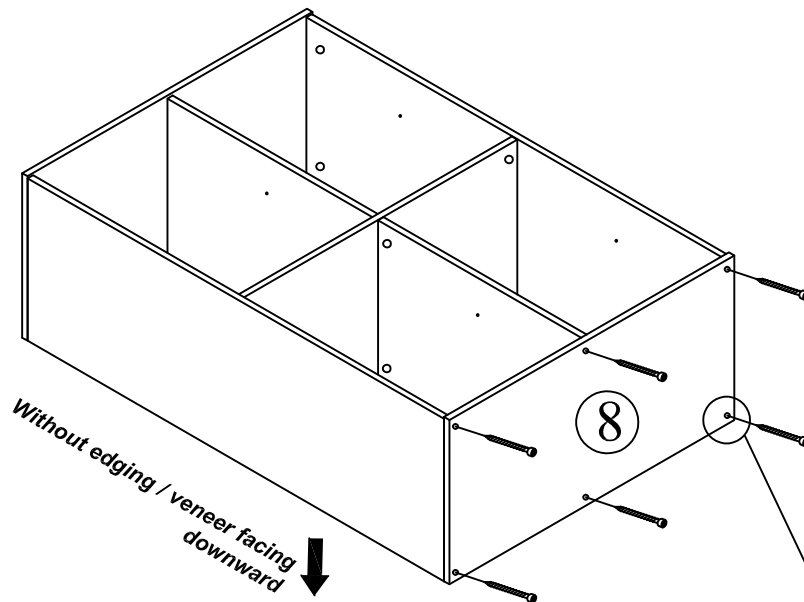
The head of the mini fix housing goes into the open mouth of the mini fix bolt. You then turn the mini fix housing so it tightens over the mini fix bolt.



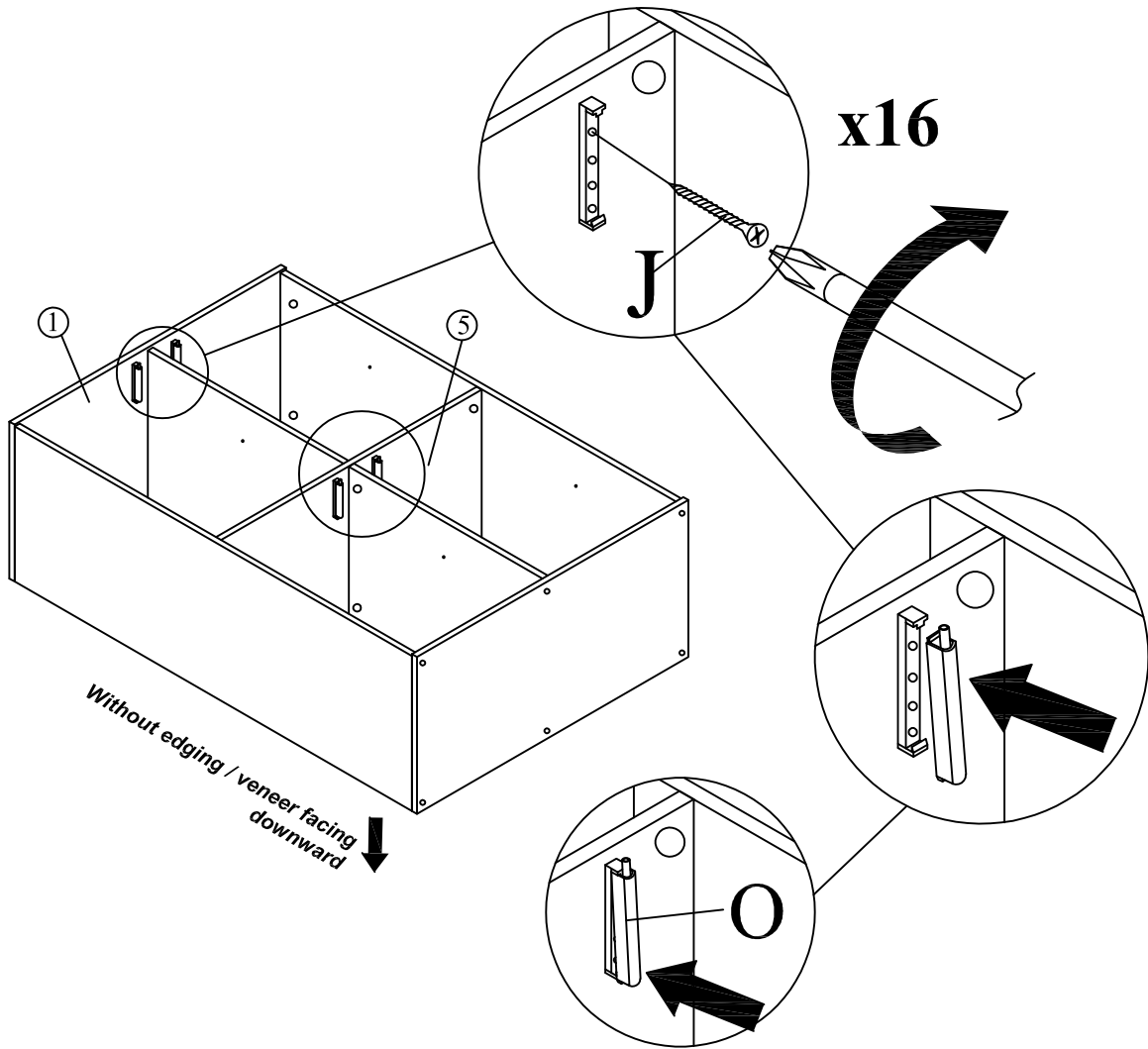
*\*Attach Minifix Cap as shown.*



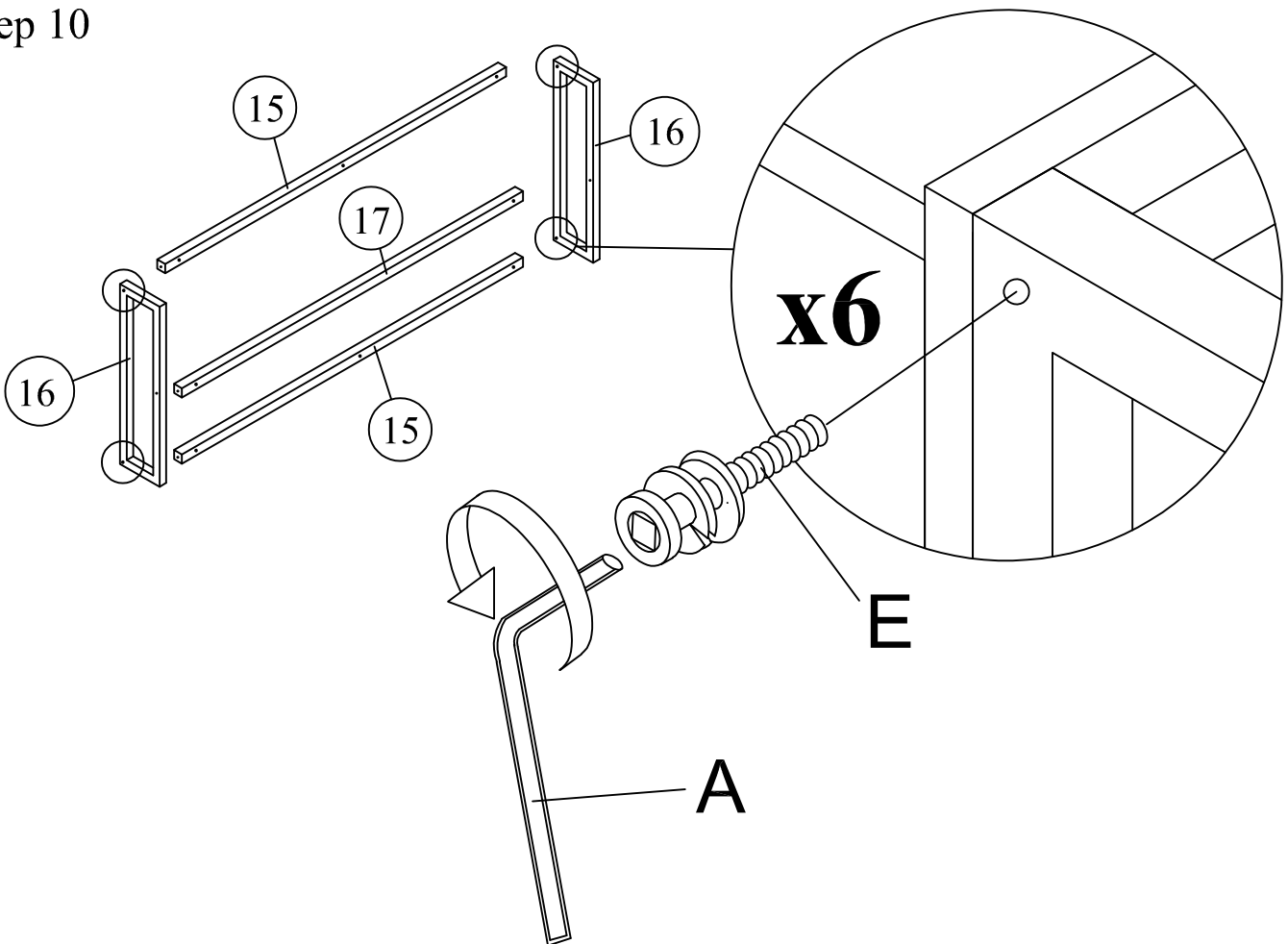
## Step 8



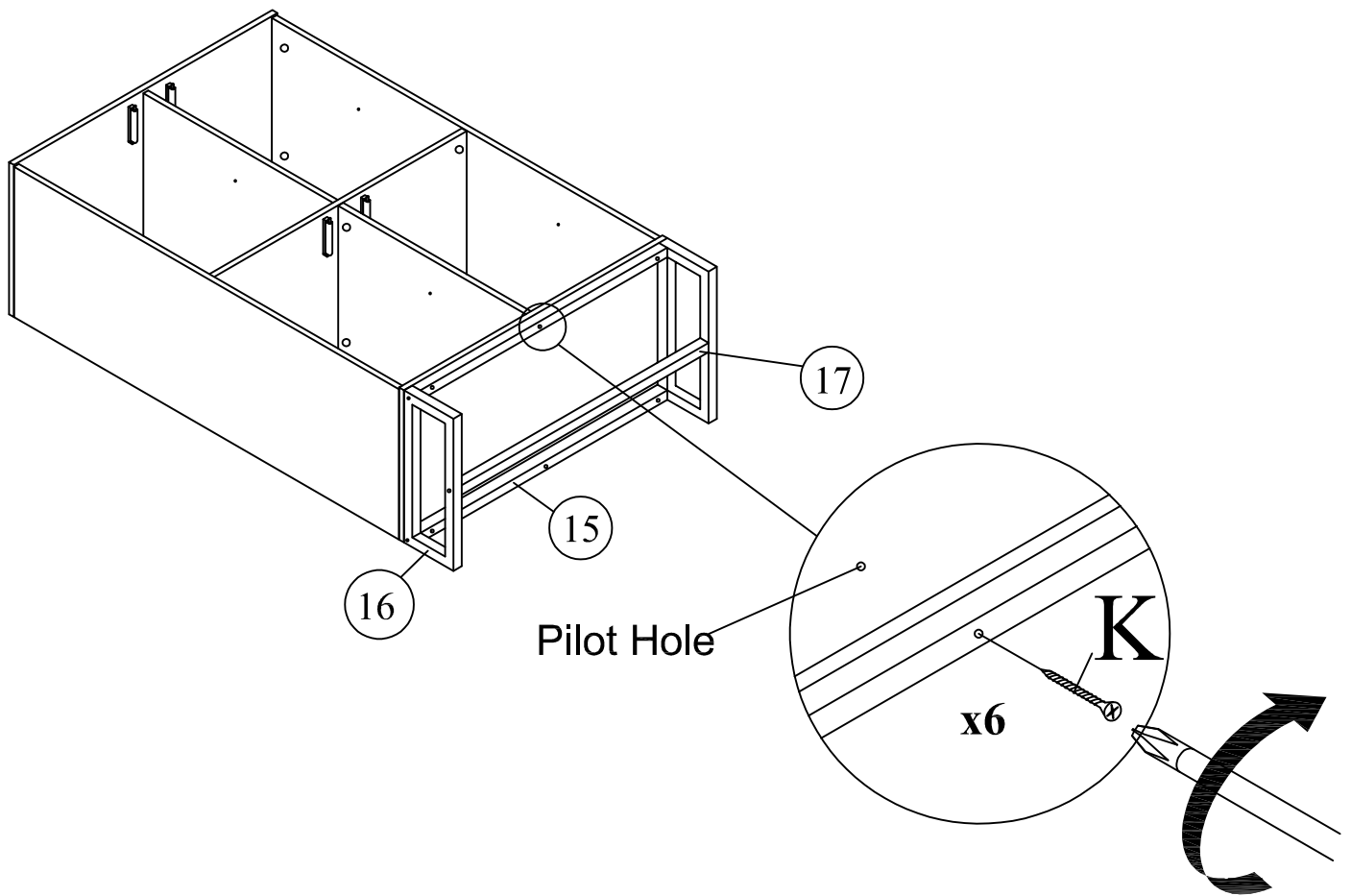
# Step 9



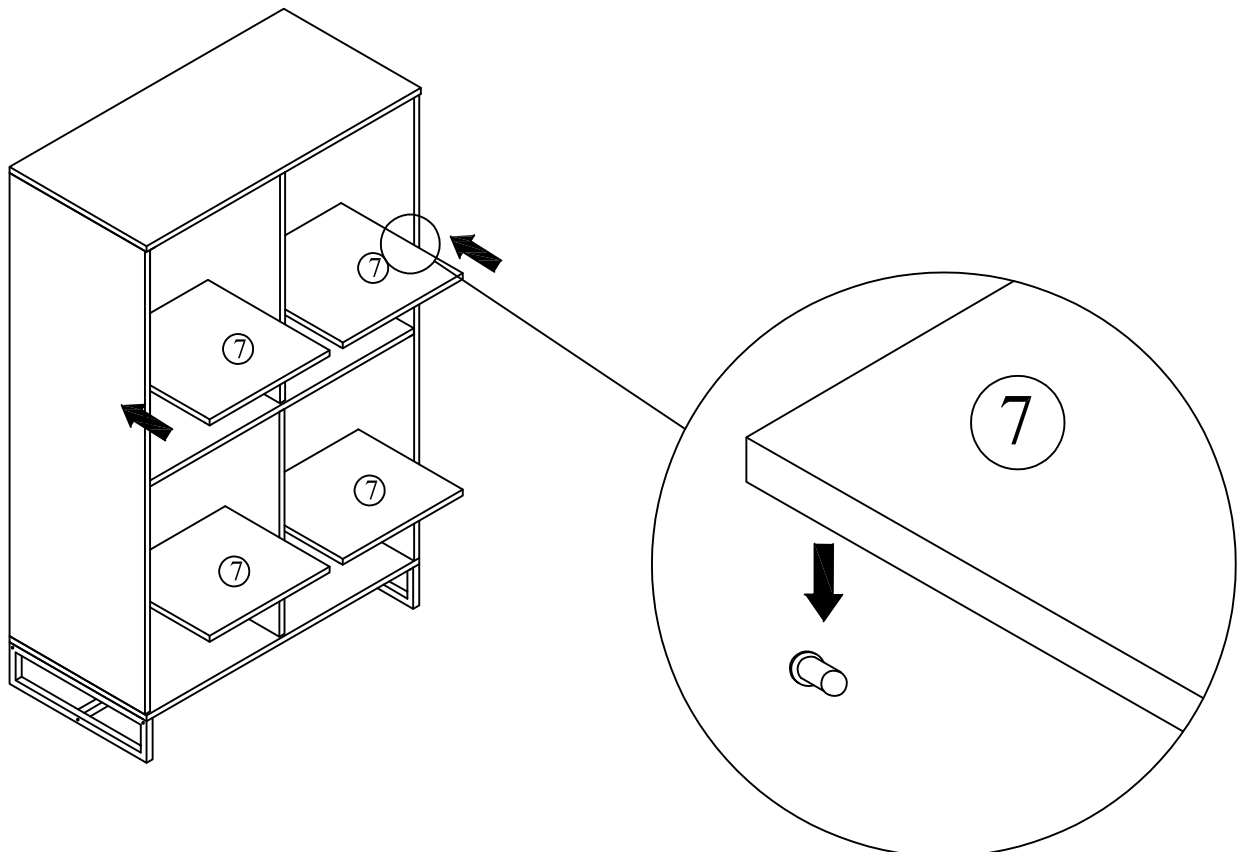
# Step 10



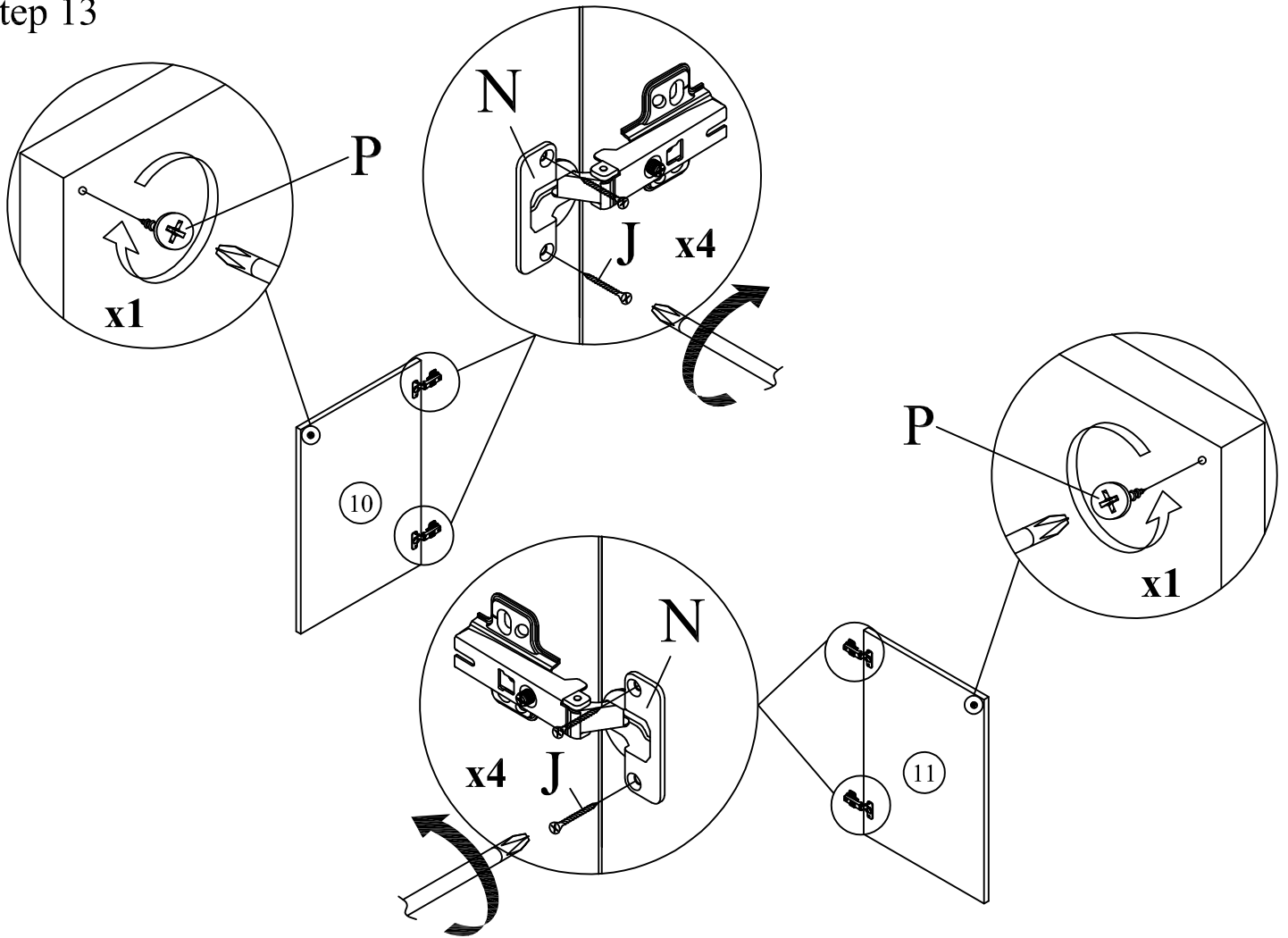
## Step 11



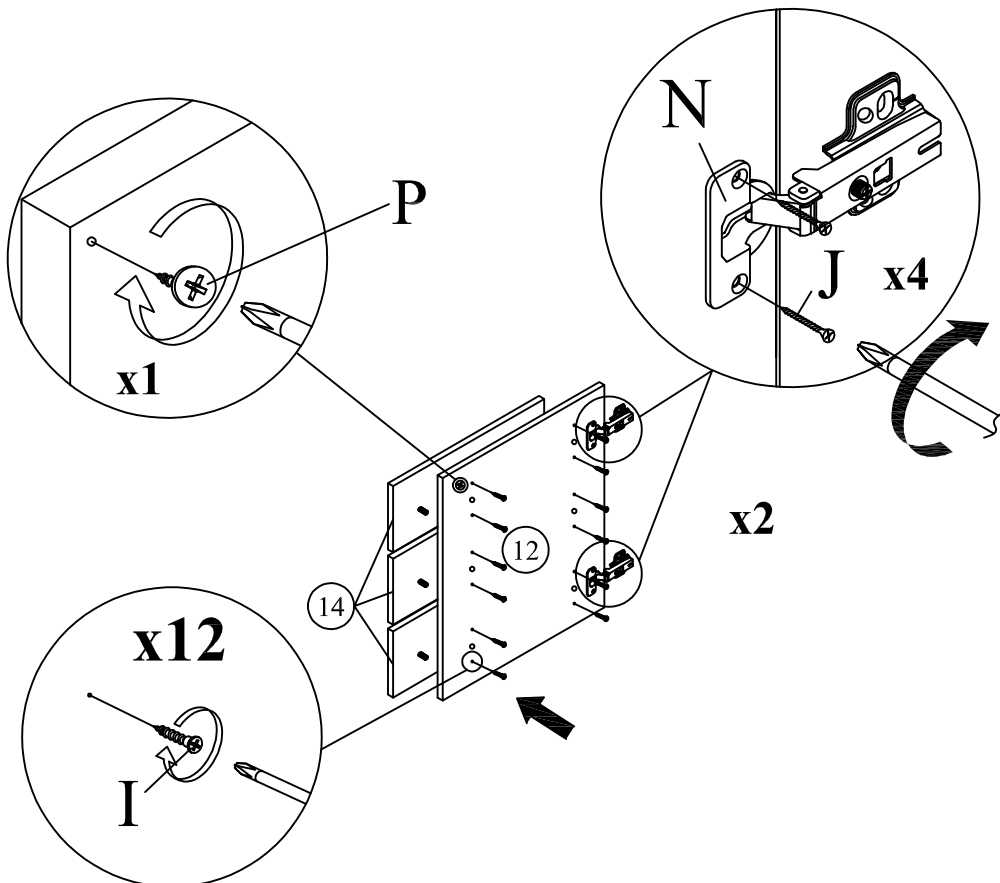
## Step 12



### Step 13

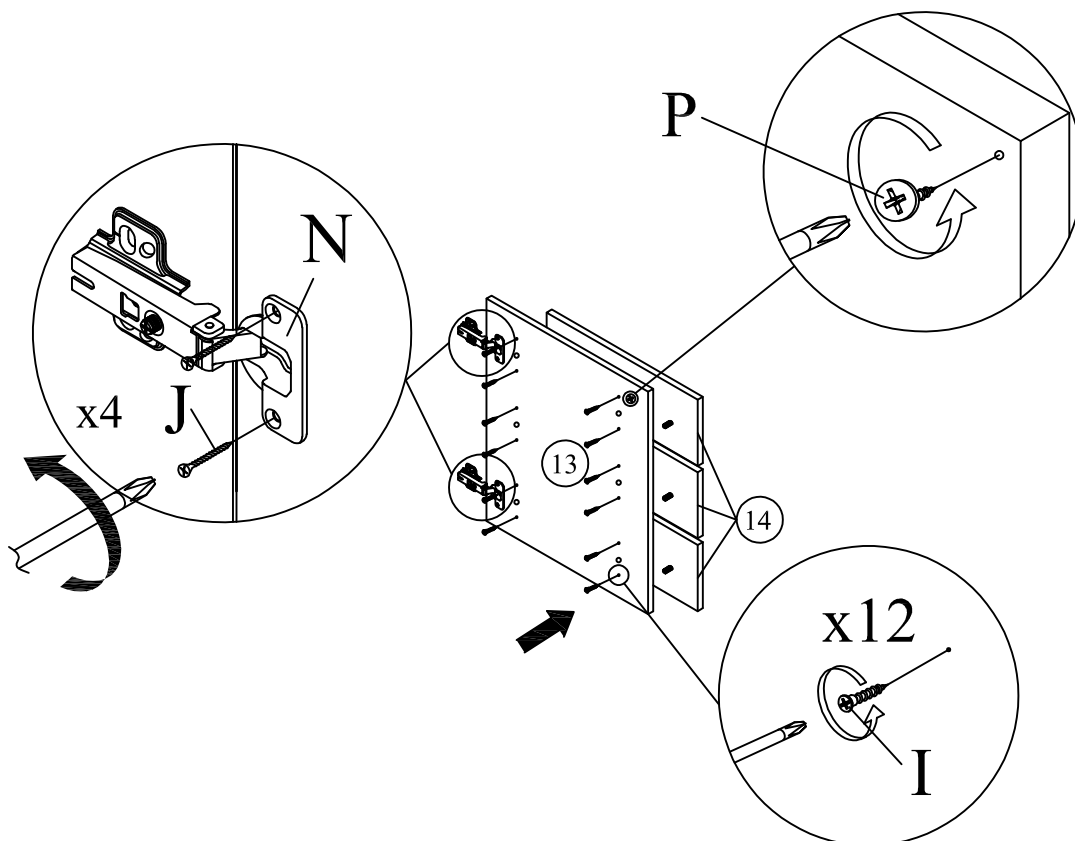


### Step 14

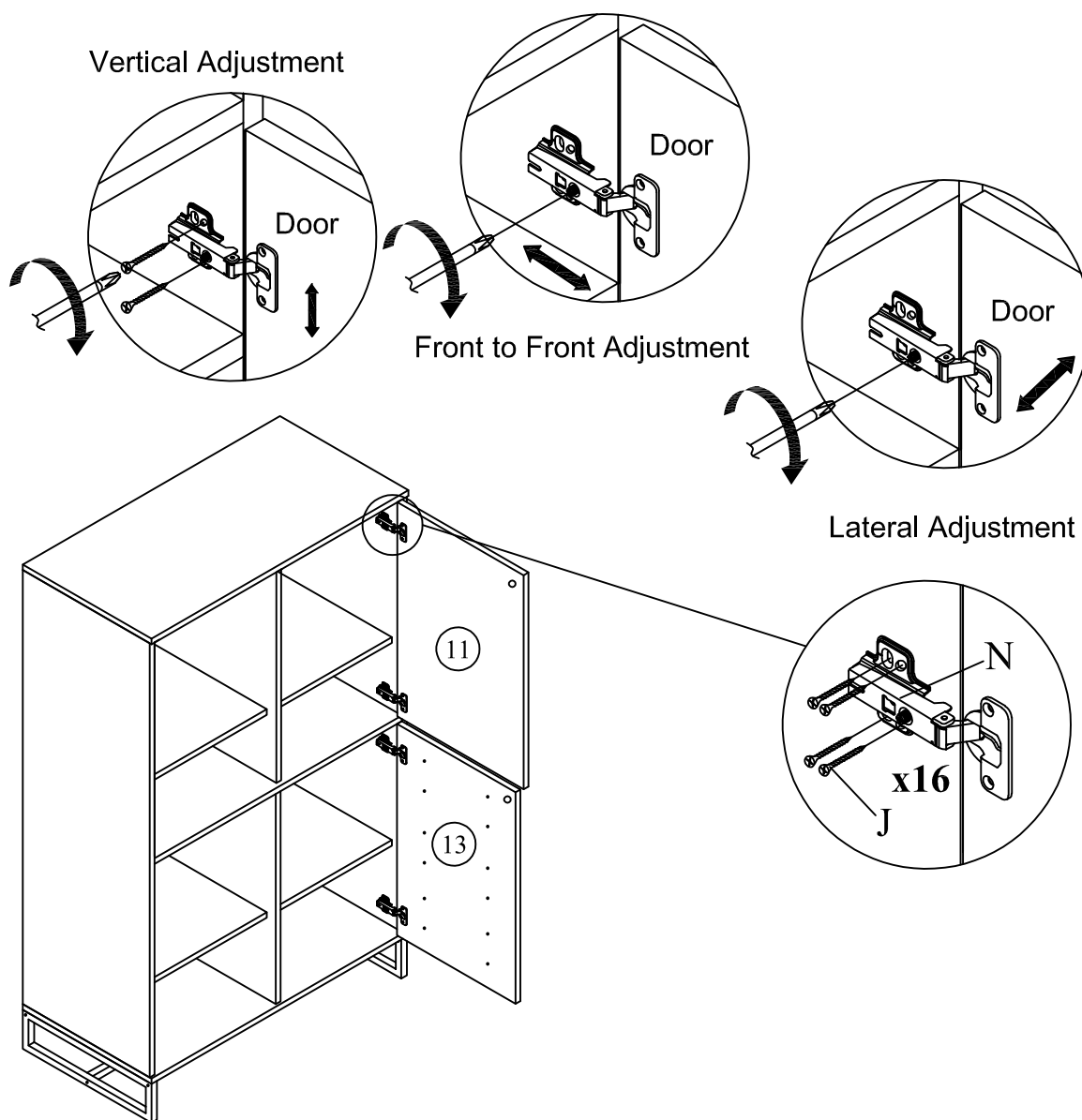




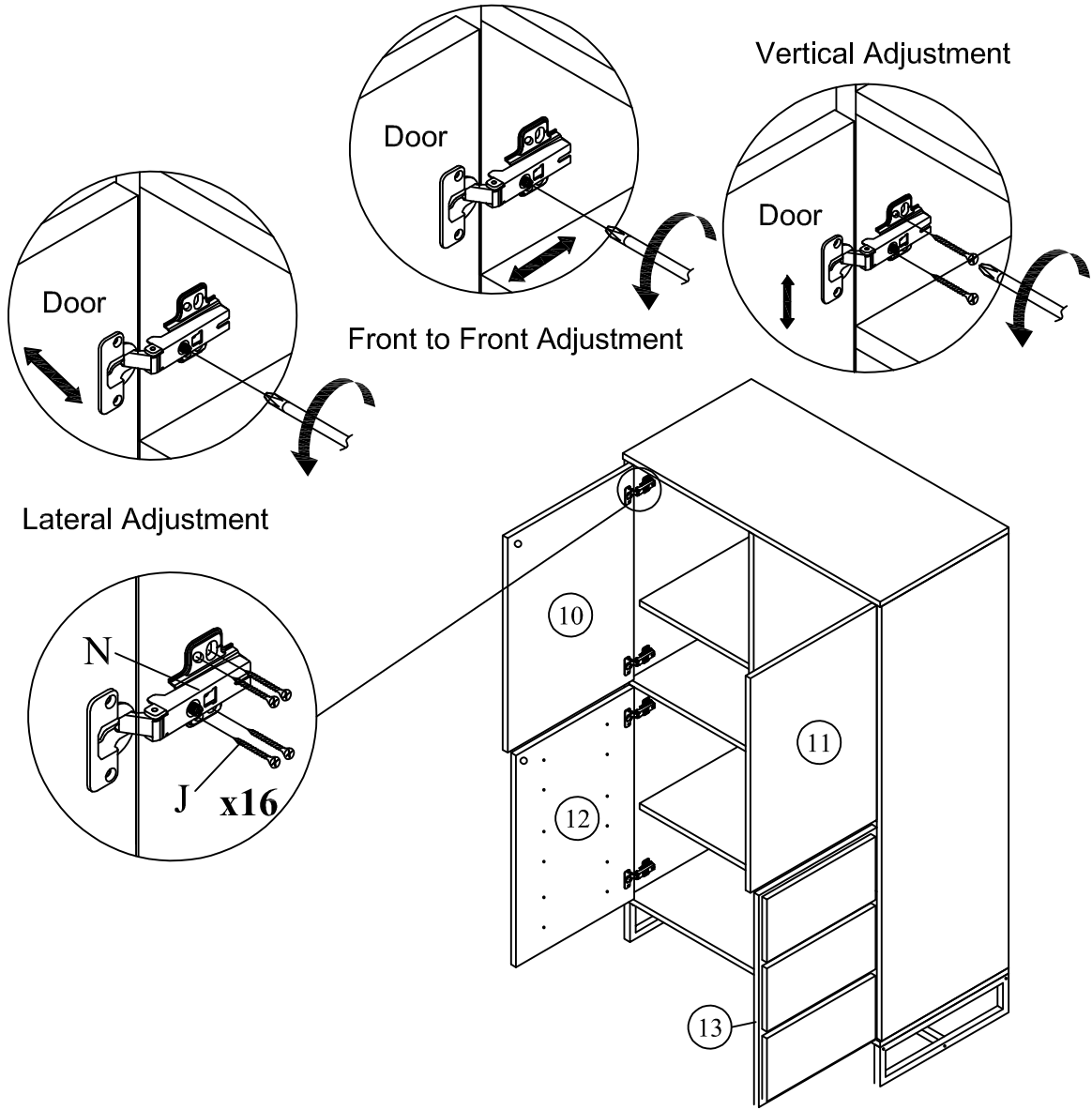
# Step 15



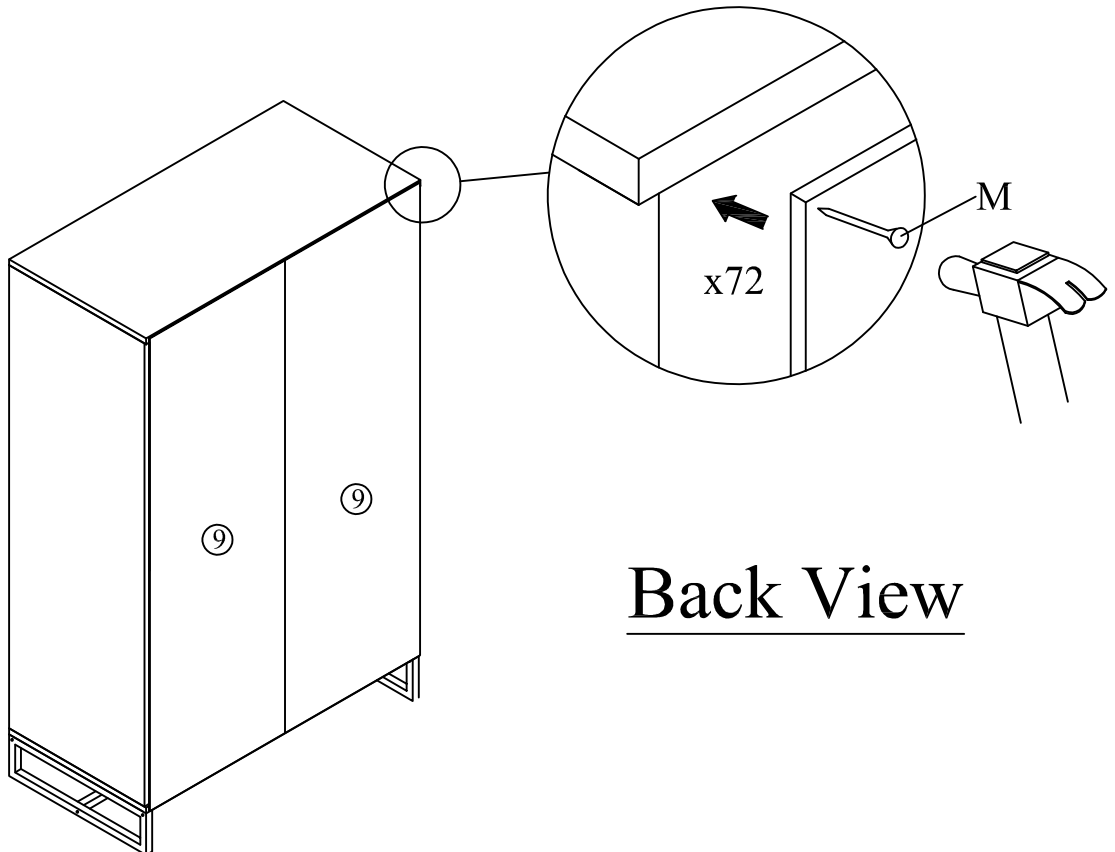
# Step 16



# Step 17



# Step 18



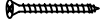
Anti -  
Tipping

(A)



CSK Screw  
M3.5x16mm  
1PC

(B)



CSK Screw  
M4x50mm  
1PC

(C)

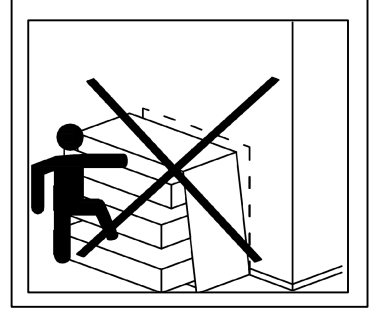
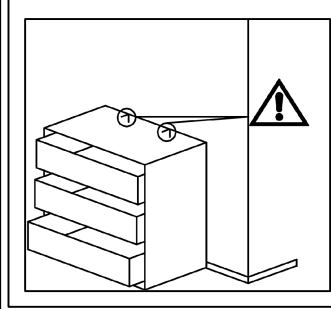


L BRACKET  
2PCS

(D)



CABLE TIE  
1PC



BACK VIEW

