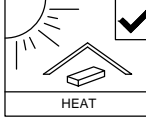




SOFT, DRY CLOTH



CHEMICAL



HEAT



KEEP DRY



HANDLE WITH CARE



DO NOT USE KNIFE

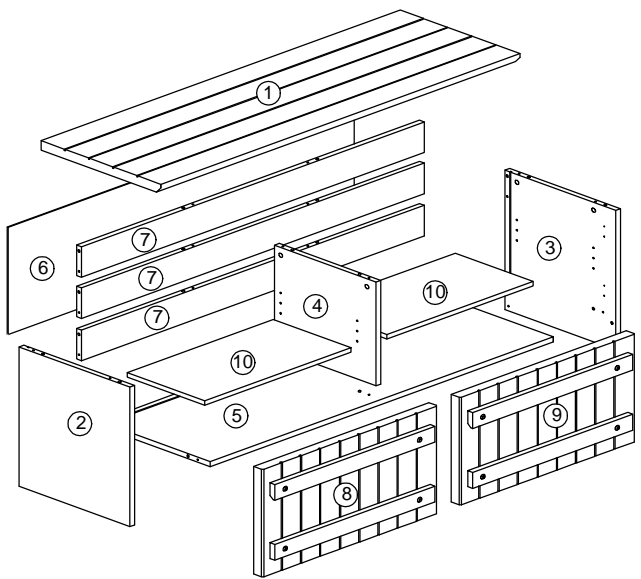
ASSEMBLY INSTRUCTION

MODEL : PL-BC1240

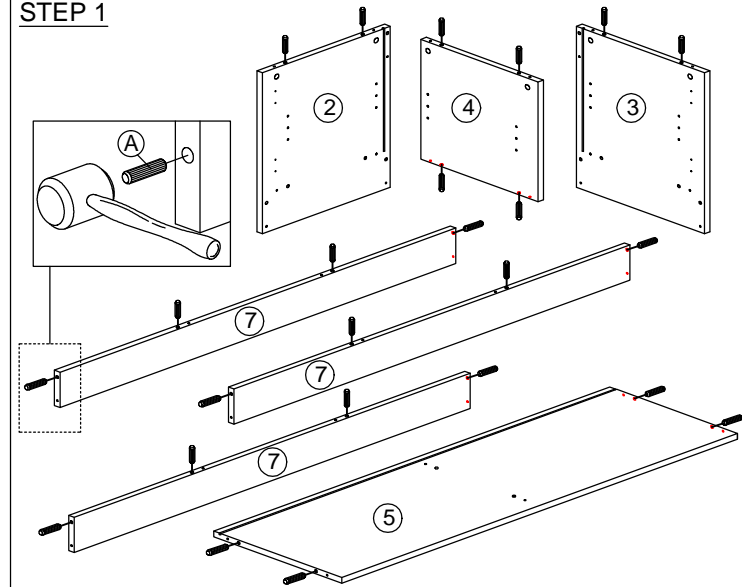
DESCRIPTION : STORAGE BENCH

HARDWARE

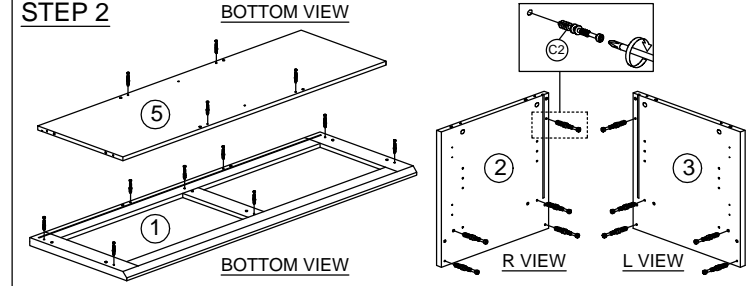
A WOOD DOWEL M8 X 25MM 24	B CB SCREW M3.5X16MM 16	C C1 MINIFIX 5654+5546 22 SETS	C2 MINIFIX CAP 22	C3 MINIFIX CAP 22	D CSK CAP WOOD M6X40MM 2	E PVC NAIL WITH PIN 5/8 6	F L KEY M4 1	G HINGES 5/8 4	H SHELF SUPPORT 8
---	---	--	------------------------------------	------------------------------------	--	--	-------------------------------	---------------------------------	------------------------------------



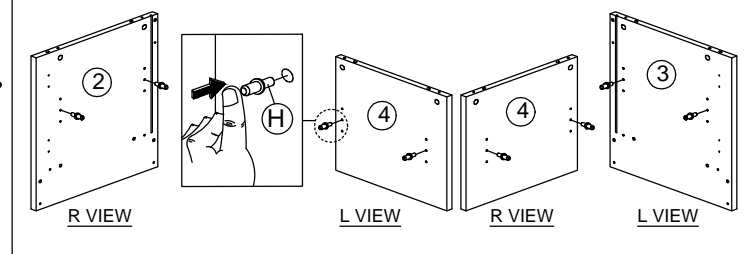
STEP 1



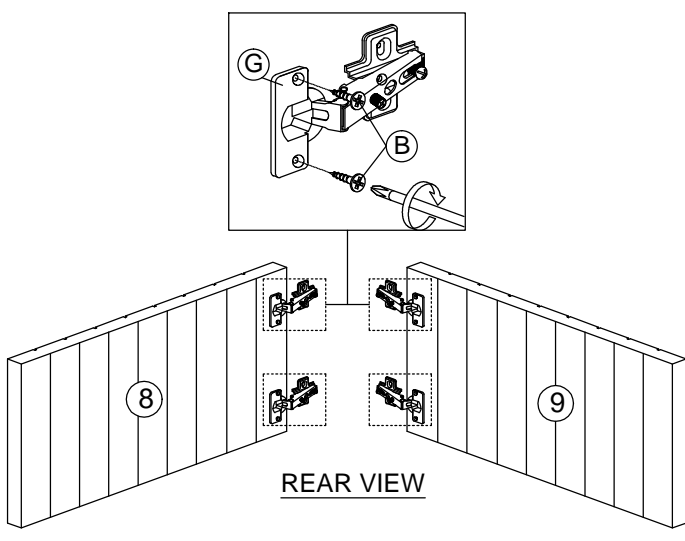
STEP 2



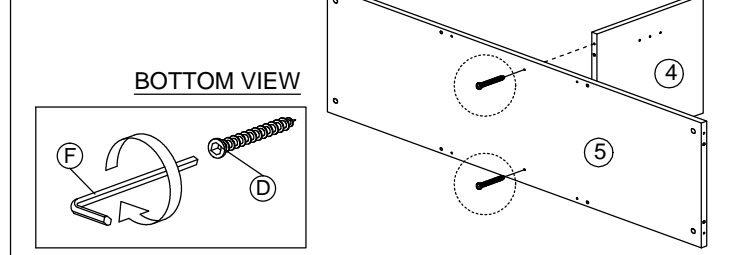
STEP 3



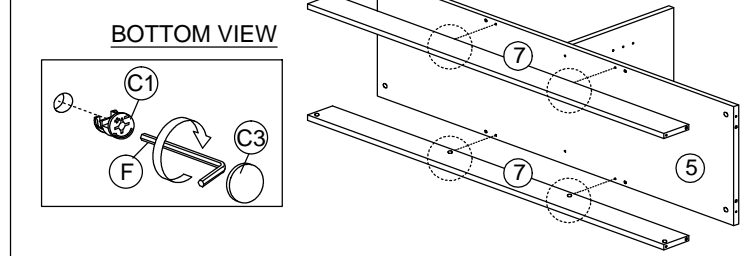
STEP 4



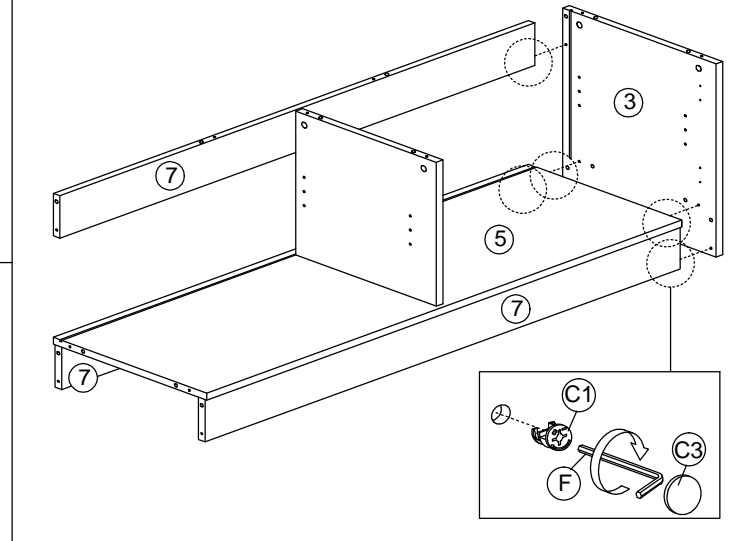
STEP 5



STEP 6

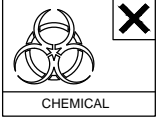


STEP 7

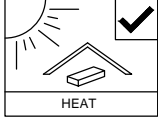




SOFT, DRY CLOTH



CHEMICAL



HEAT



KEEP DRY



HANDLE WITH CARE



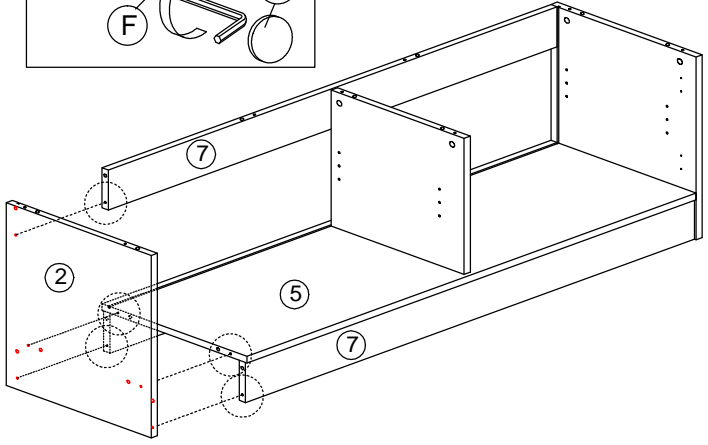
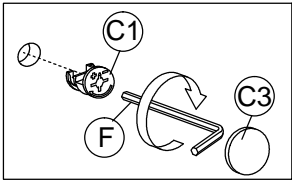
DO NOT USE KNIFE

ASSEMBLY INSTRUCTION

MODEL : PL-BC1240

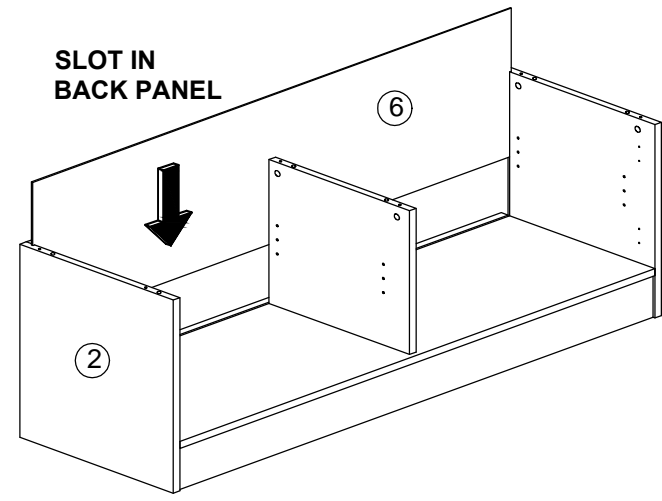
DESCRIPTION : STORAGE BENCH

STEP 8

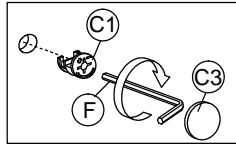
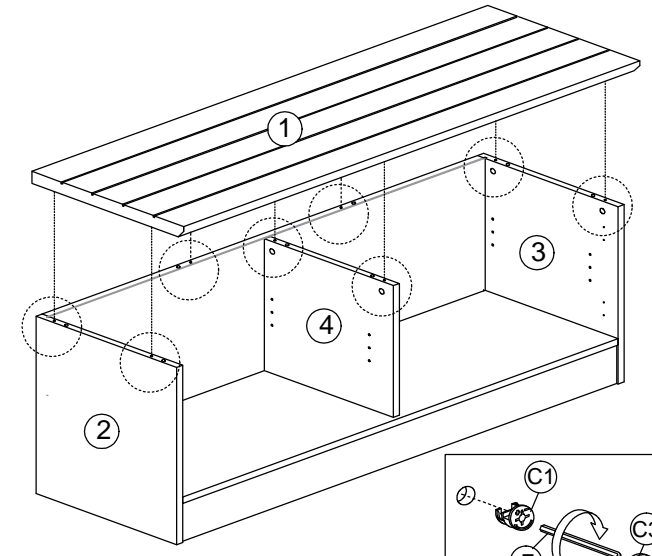


STEP 9

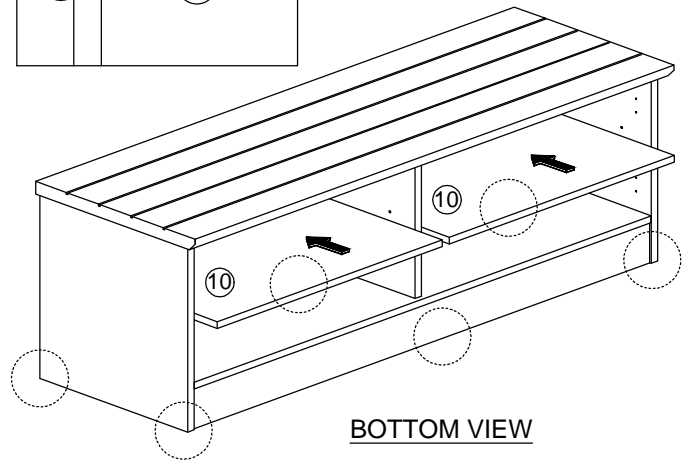
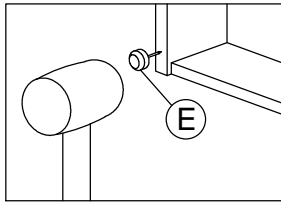
SLOT IN
BACK PANEL



STEP 10

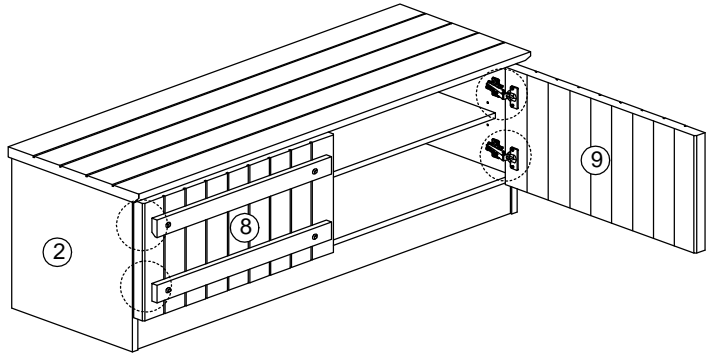
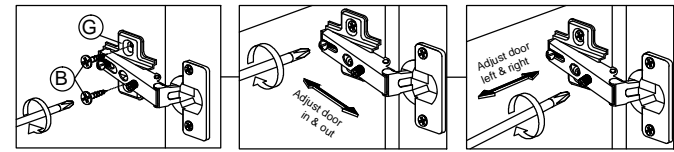


STEP 11



BOTTOM VIEW

STEP 12



COMPLETED

