






ASSEMBLY INSTRUCTION

Read this instruction carefully. Remove all wrapping material, staples and straps from the carton.
See hardware and furniture part list
For guidance. Be sure you have all wooden furniture parts on a clean and flat soft surface, such as a carpet or rug, to prevent from being scratched. Follow the figure to start assembling.

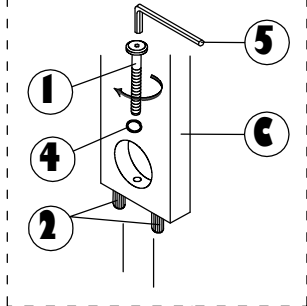
CAUTION :

1. Do not FULLY - TIGHTEN the nut or screw until all is ready to assemble.
2. Do not OVER - TIGHTEN the nut or screw to avoid causing damages to the thread.
3. Keep all hardware part out reach of children.

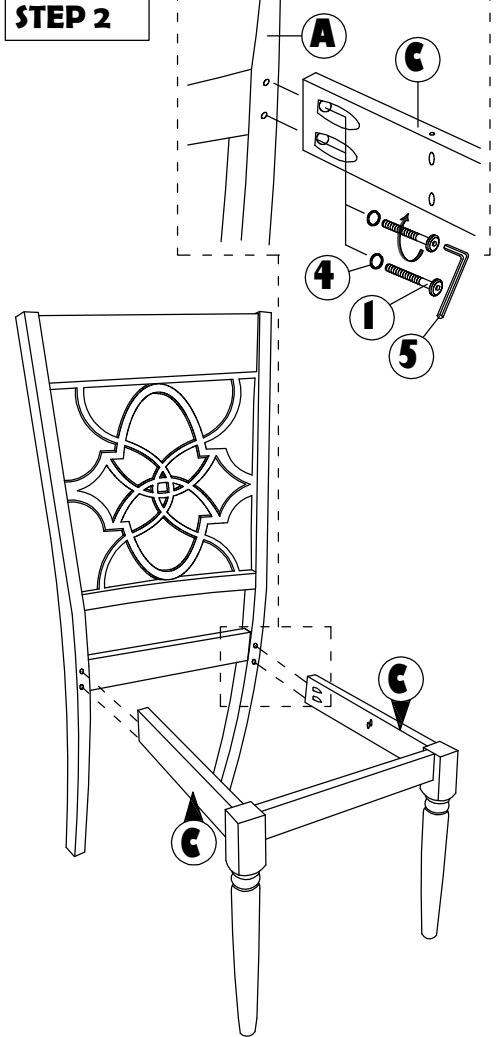
| NO | PART LIST | QTY |
|----|--------------|-------|
| A | BACK REST | 1 PC |
| B | FRONT LEG | 1 PC |
| C | SIDE RAIL | 2 PCS |
| D | CUSHION SEAT | 1 PC |

| NO | DESCRIPTION | QTY |
|----|--|-------|
| 1 | JCBC SCREW M6 X 50MM  | 6 PCS |
| 2 | WOOD DOWEL Ø8 x 30MM  | 4 PCS |
| 3 | CSK SCREW M4 x 30MM  | 3 PCS |
| 4 | SPRNG WASHER M6  | 6 PCS |
| 5 | M4 ALLEN KEY  | 1 PC |

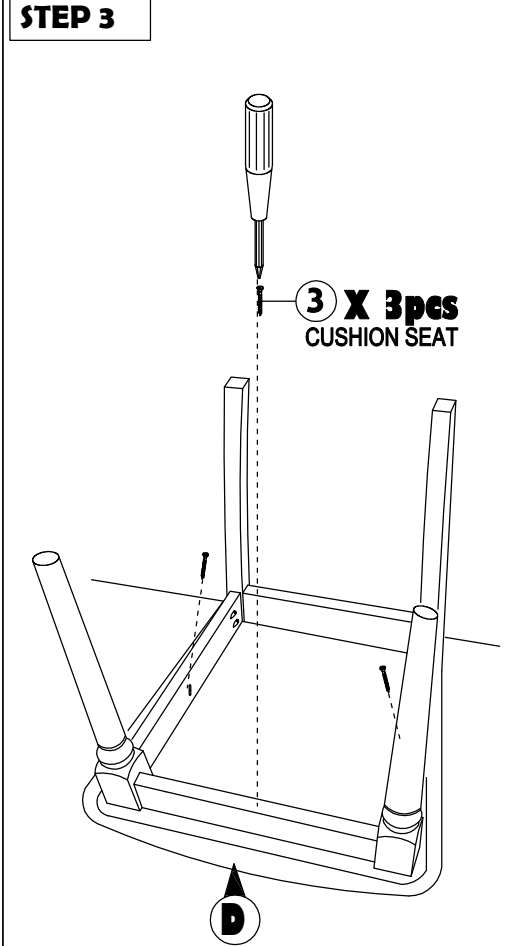
STEP 1



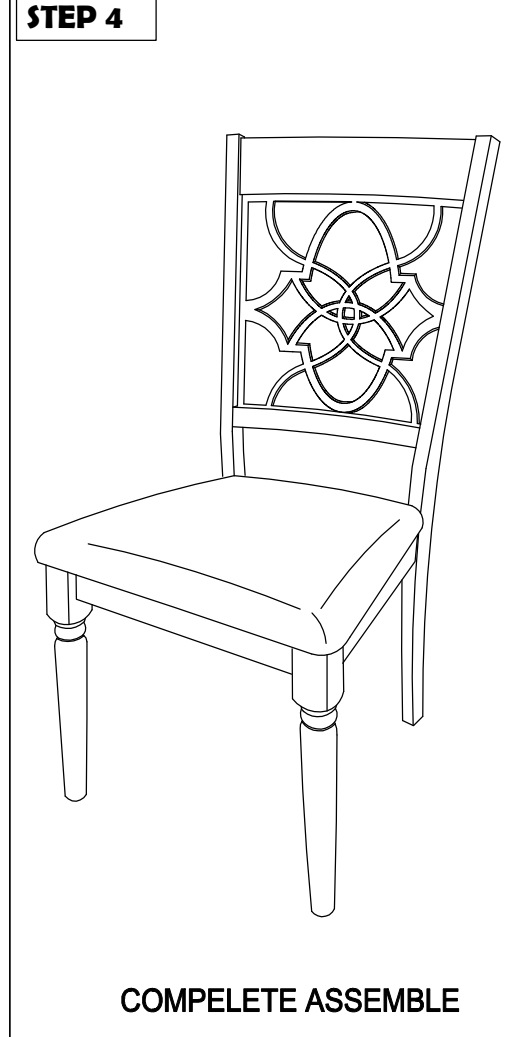
STEP 2



STEP 3



STEP 4



ASSEMBLY INSTRUCTION






MODEL : 7028T / 7028-1T

Read this instruction carefully. Remove all wrapping material, staples and straps from the carton. See hardware and furniture part list For guidance. Be sure you have all wooden furniture parts on a clean and flat soft surface, such as a carpet or rug, to prevent from being scratched. Follow the figure to start assembling.

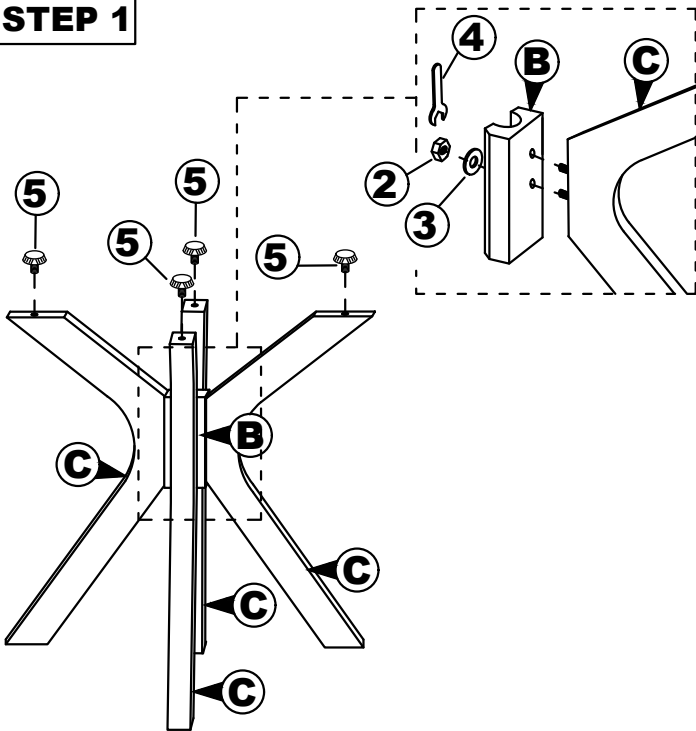
CAUTION :

1. Do not FULLY - TIGHTEN the nut or screw until all is ready to assemble.
2. Do not OVER - TIGHTEN the nut or screw to avoid causing damages to the thread.
3. Keep all hardware part out reach of children.

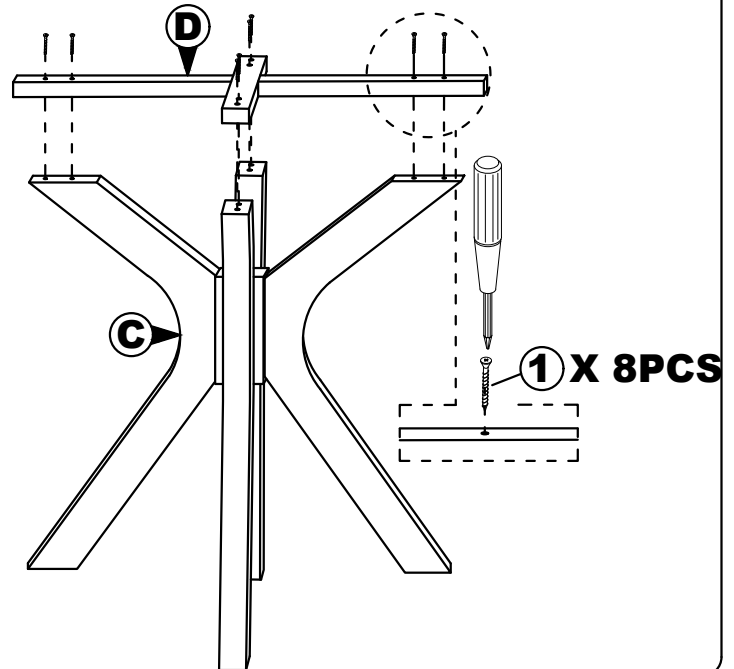
| NO | PART LIST | QTY |
|----|-----------------------|-------|
| A | TABLE TOP | 1 PC |
| B | PEDESTAL TABLE CENTER | 1 PC |
| C | PEDESTAL LEGS | 4 PCS |
| D | CROSS BAR 'X' | 2 PCS |

| NO | DESCRIPTION | QTY |
|----|---|--------|
| 1 | CSK SCREW M4 X 30MM  | 16 PCS |
| 2 | HEX. NUT  | 8 PCS |
| 3 | FLAT WASHER  | 8 PCS |
| 4 | SPANNAR  | 1 PC |
| 5 | ADJUSTER  | 4 PCS |

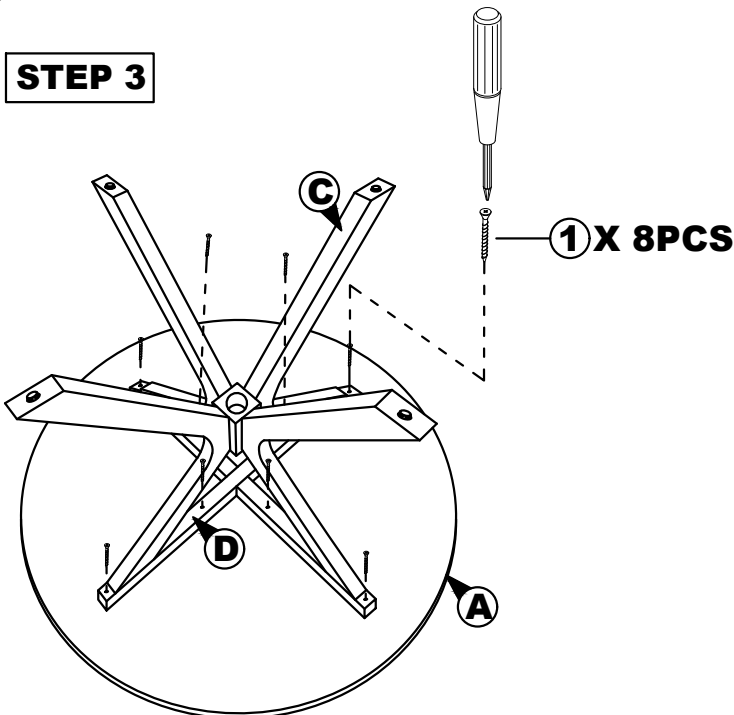
STEP 1



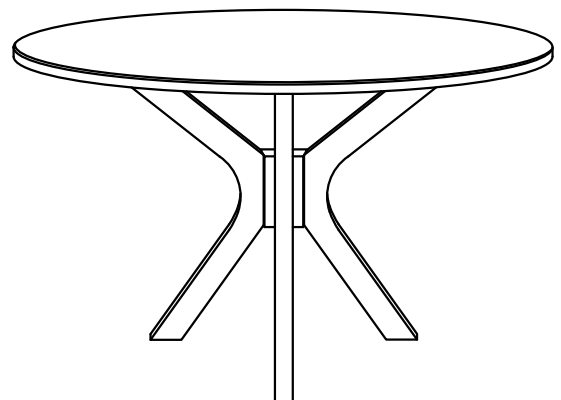
STEP 2



STEP 3



STEP 4



COMPELETE
ASSEMBLE