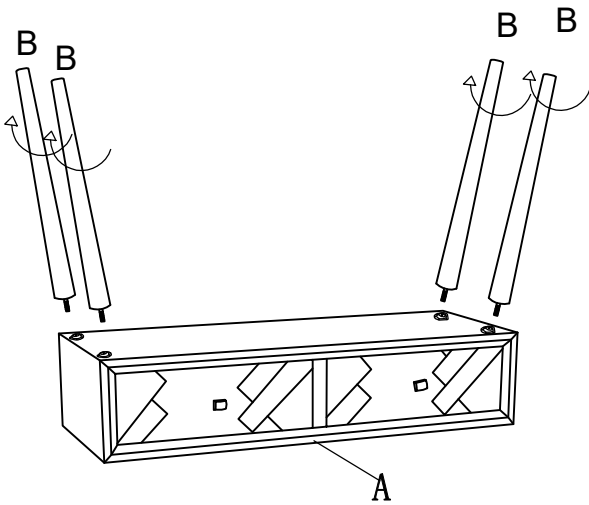


Assembly Manual

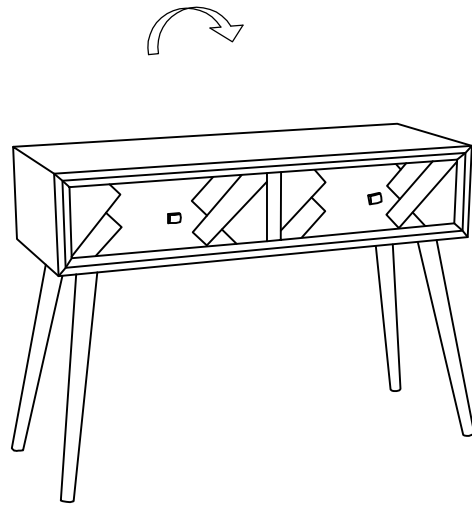
PART LIST

				
A	B			
1 PC	4 PC			

1



2



3

