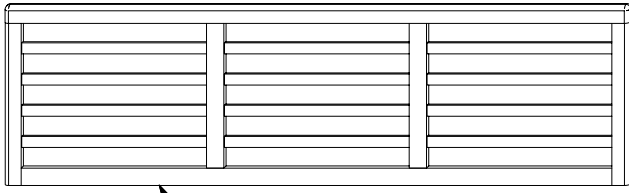


97063 King Headboard

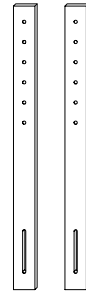
Assembly Instructions

0818

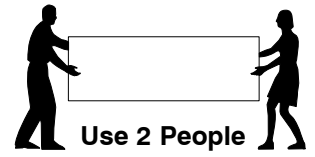
1 Parts List



A Headboard Panel x 1



B Support Bars x 2



2 Hardware List



1 M6 x 35mm JCB x 4



2 Spring Washer x 4



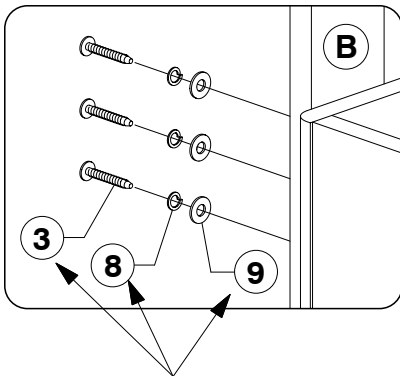
3 Flat Washer x 4



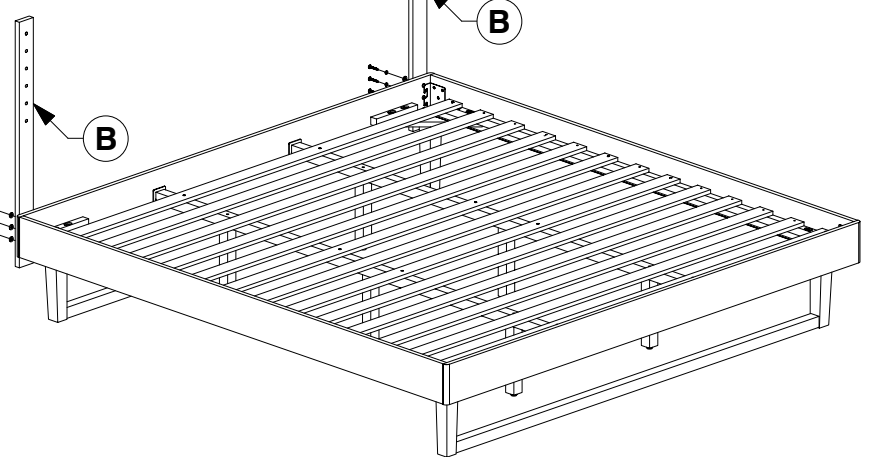
4 Allen Key x 1

Note: Do not assemble using power tools. This can cause the bolts to be overtightened

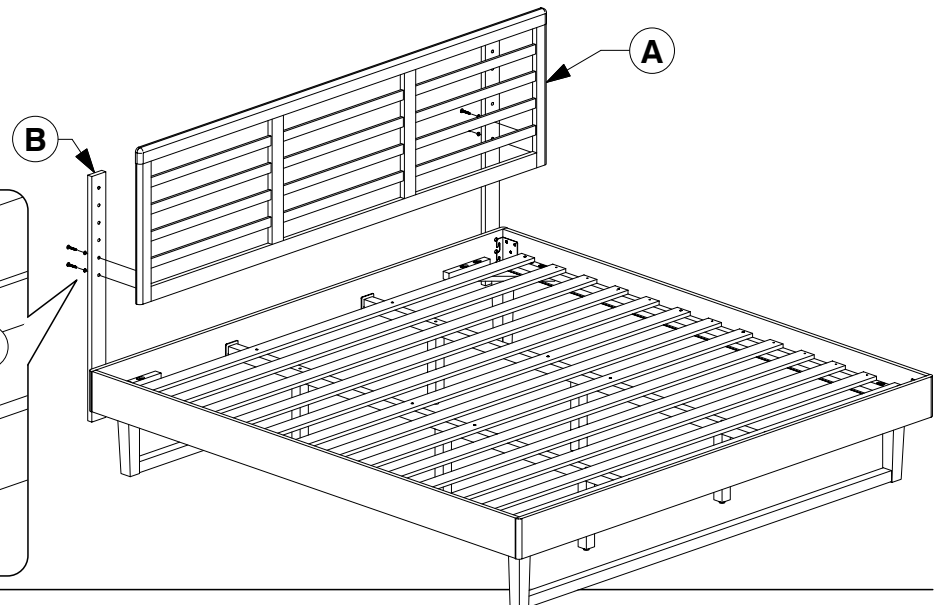
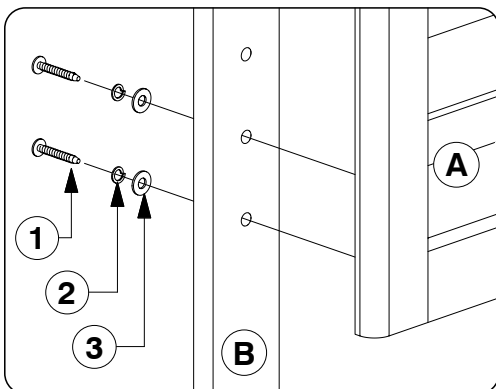
3 Assemble the Support Bars (B) to the Headboard Panel.



Note: Bolts & Washers from Footboard, Rails & Slats Box.



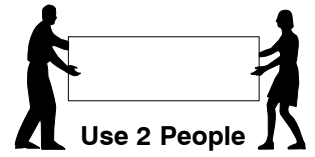
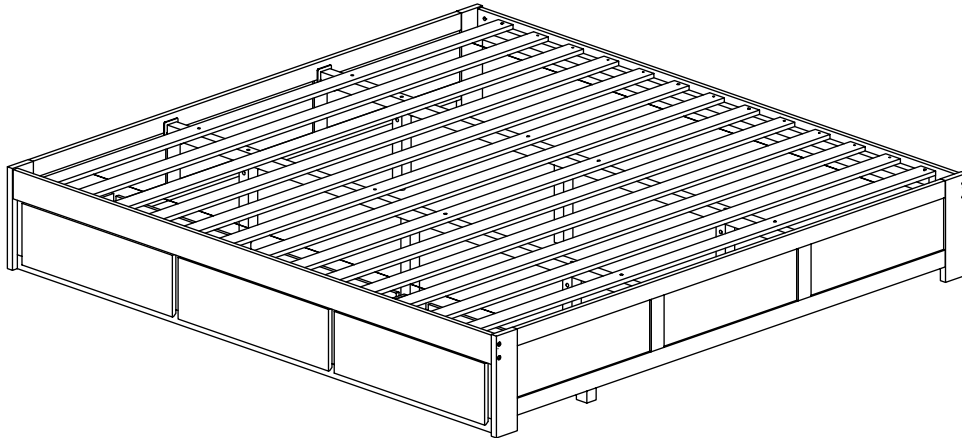
4 Assemble the Headboard Panel (A) to the Support Bars (B).



King Bed

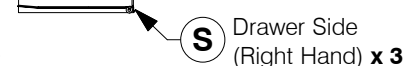
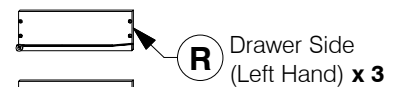
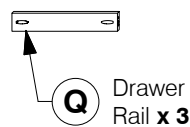
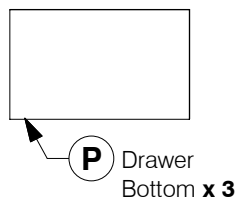
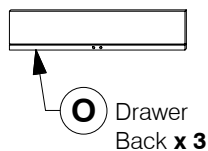
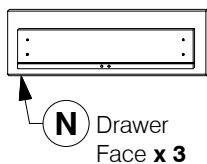
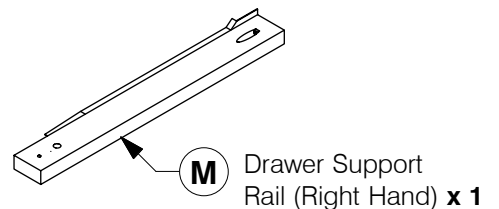
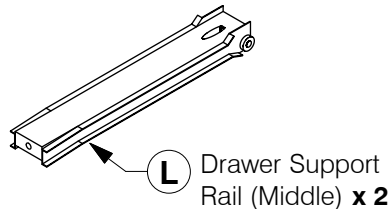
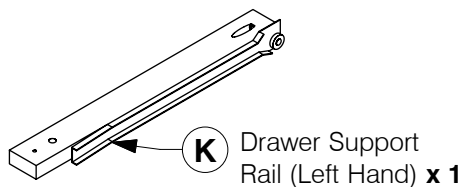
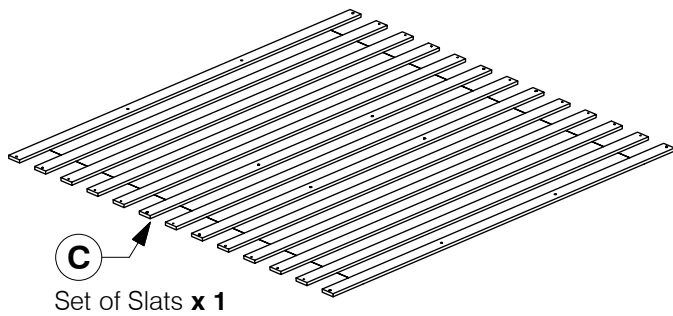
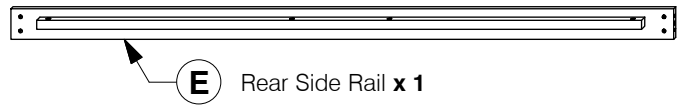
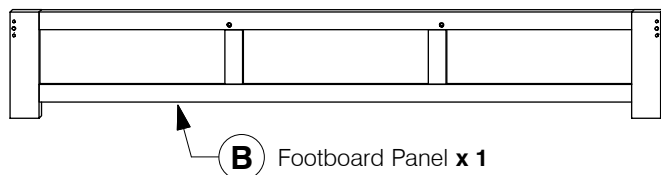
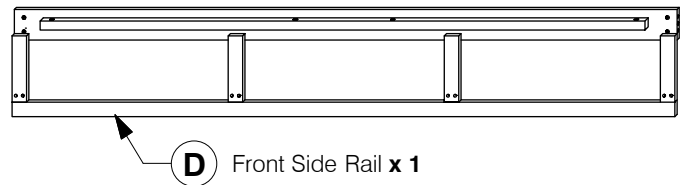
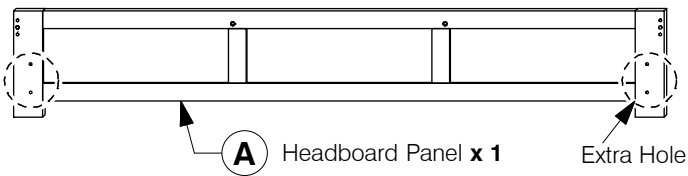
Assembly Instructions

1 Assembled View



Note: Do not assemble using power tools. This can cause the bolts to be overtightened

2 Parts List



King Bed

Assembly Instructions

3 Hardware List



1 M6 x 90mm JCB
x 6



2 M6 x 70mm JCB
x 8



3 M6 x 40mm JCB
x 24



4 M6 x 15mm JCB
x 8



5 Wood Dowel
(10 x 40mm) x 4



6 Wood Dowel
(8 x 30mm) x 8



7 Wood Dowel
(6 x 25mm) x 12



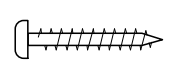
8 Barrel Nut
x 14



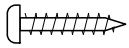
9 Spring
Washer x 4



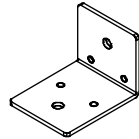
10 Flat Washer
x 4



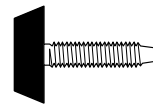
11 Wood Screw
(M4 x 32mm) x 4



12 Wood Screw
(M4 x 25mm) x 30



13 Center Rail
Bracket x 4

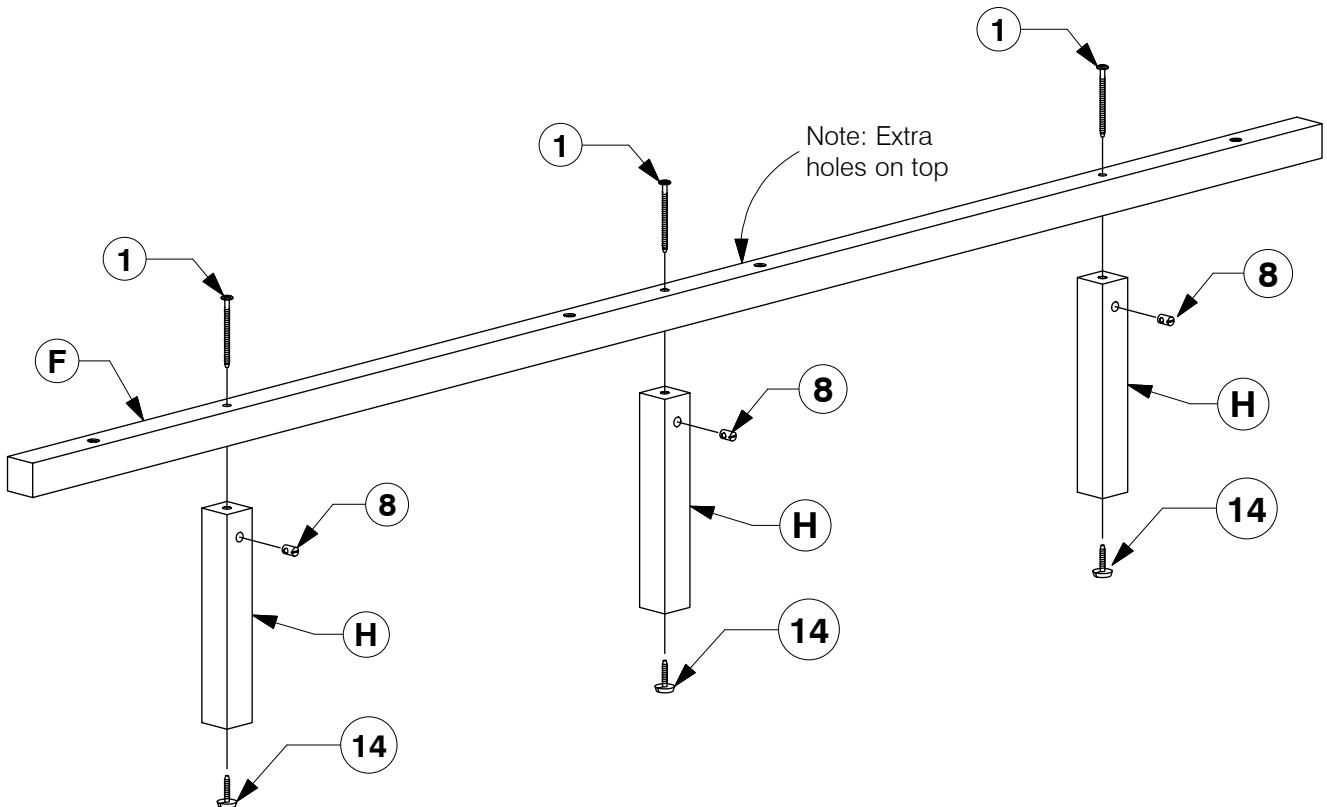


14 Adjustable
Foot x 6



15 Allen Key
x 1

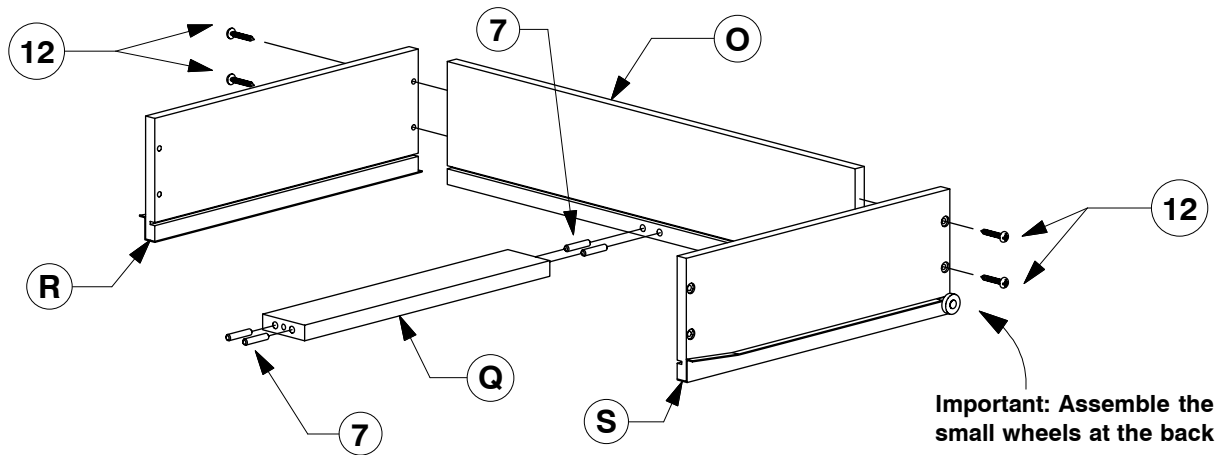
4 Assembled the Support Legs (H) to the Long Support (F).



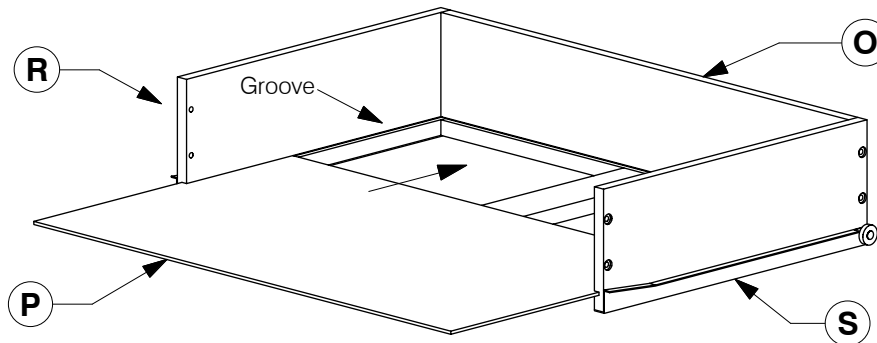
King Bed

Assembly Instructions

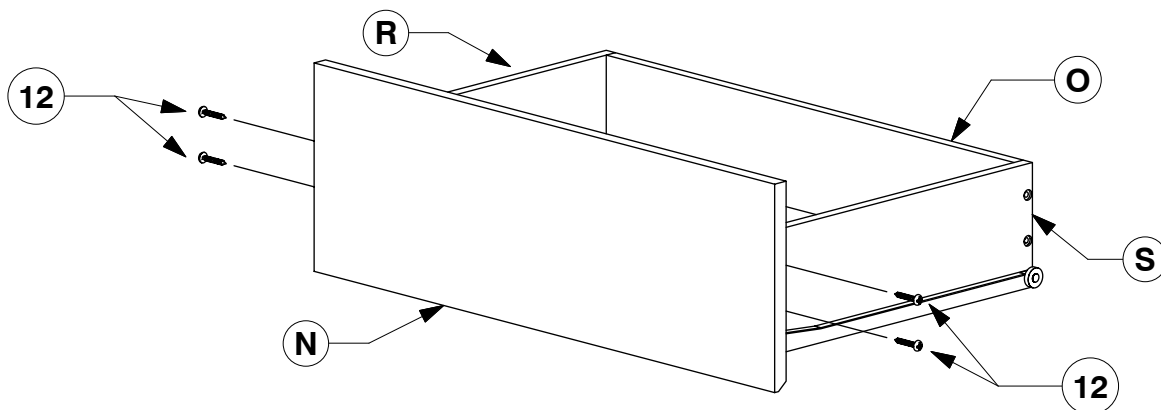
- 5** Assemble the Drawer Sides (R & S) and Drawer Rail (Q) to the Drawer Back (O). Make sure the small wheels on the Drawer Sides (R & S) are next to the Drawer Back (O).



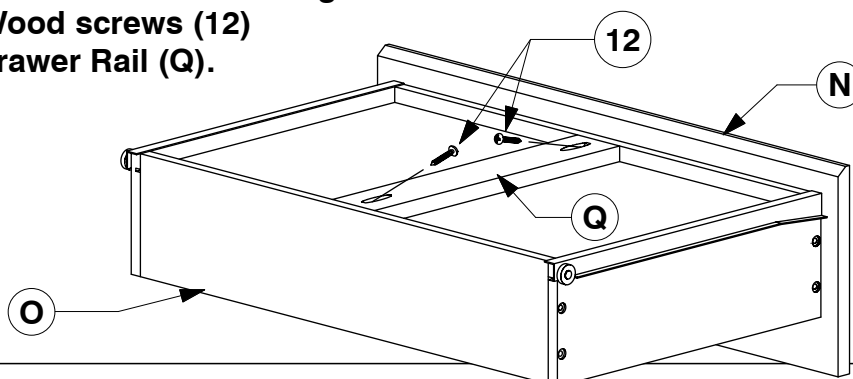
- 6** Slide the Drawer Bottom (P) into the groove on the Drawer Sides (R & S).



- 7** Assemble the Drawer Face (N) to the Drawer Sides (R & S).



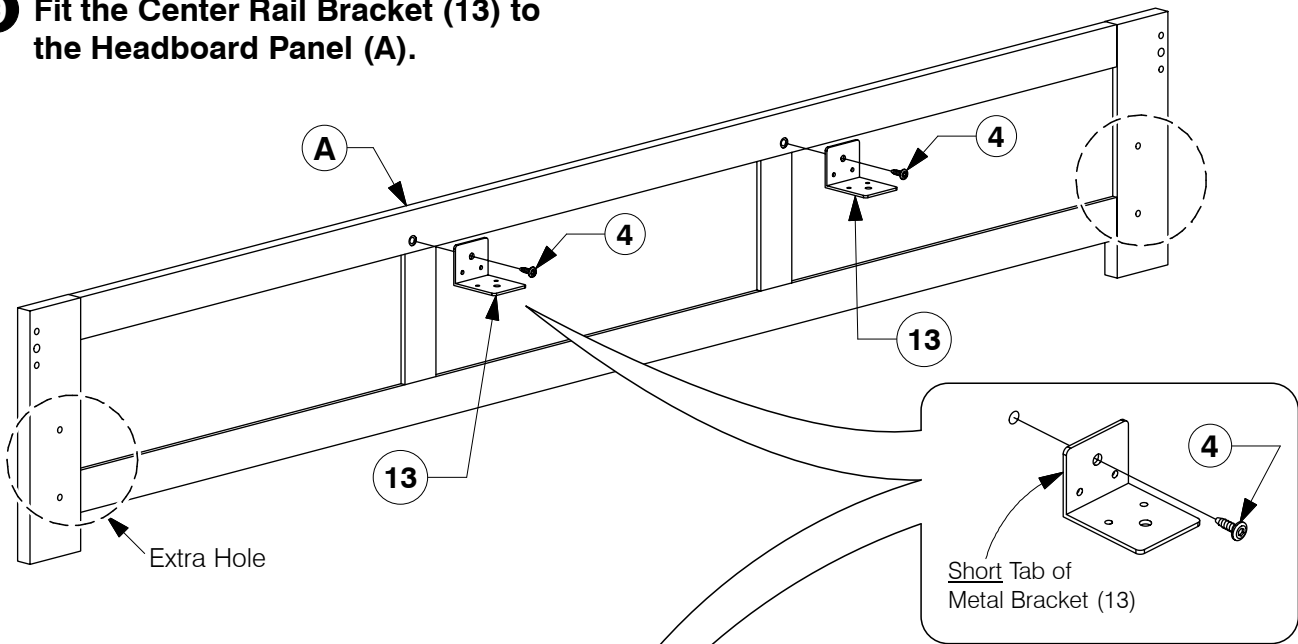
- 8** Turn the Drawer over to fit angled 25mm Wood screws (12) to the Drawer Rail (Q).



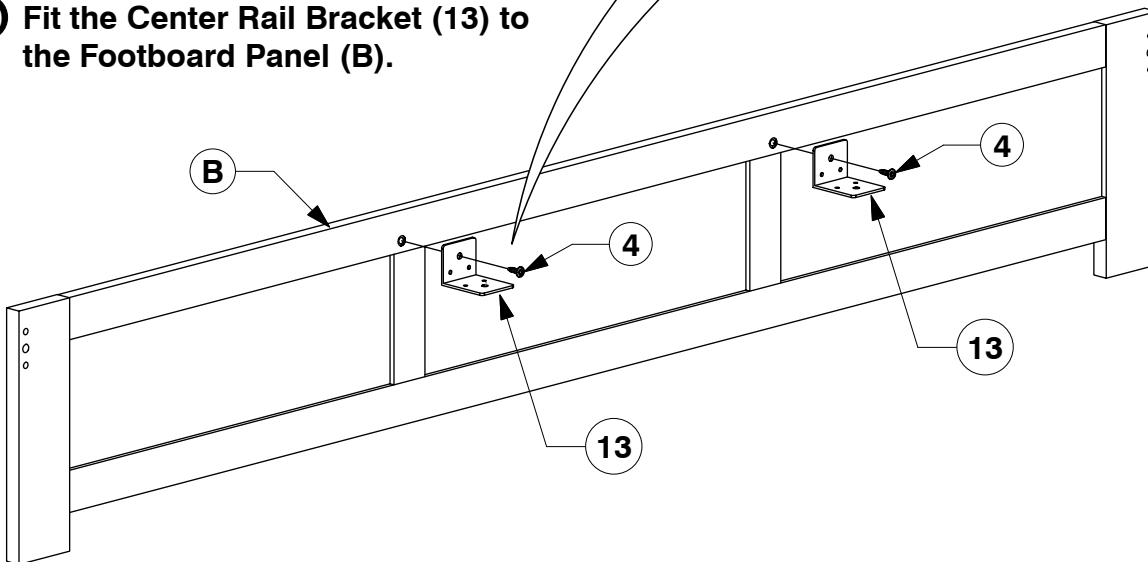
King Bed

Assembly Instructions

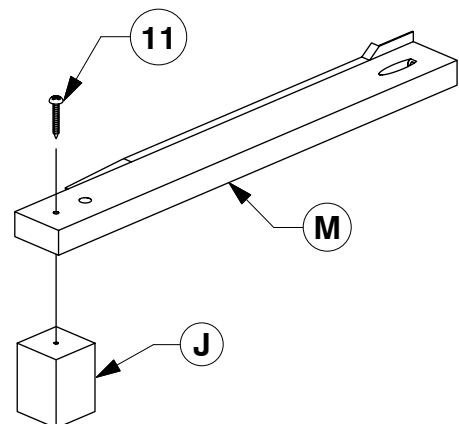
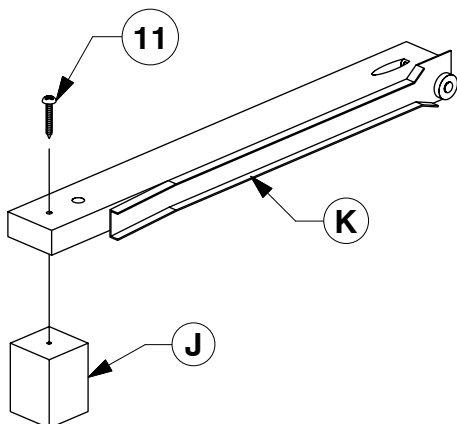
- 9** Fit the Center Rail Bracket (13) to the Headboard Panel (A).



- 10** Fit the Center Rail Bracket (13) to the Footboard Panel (B).



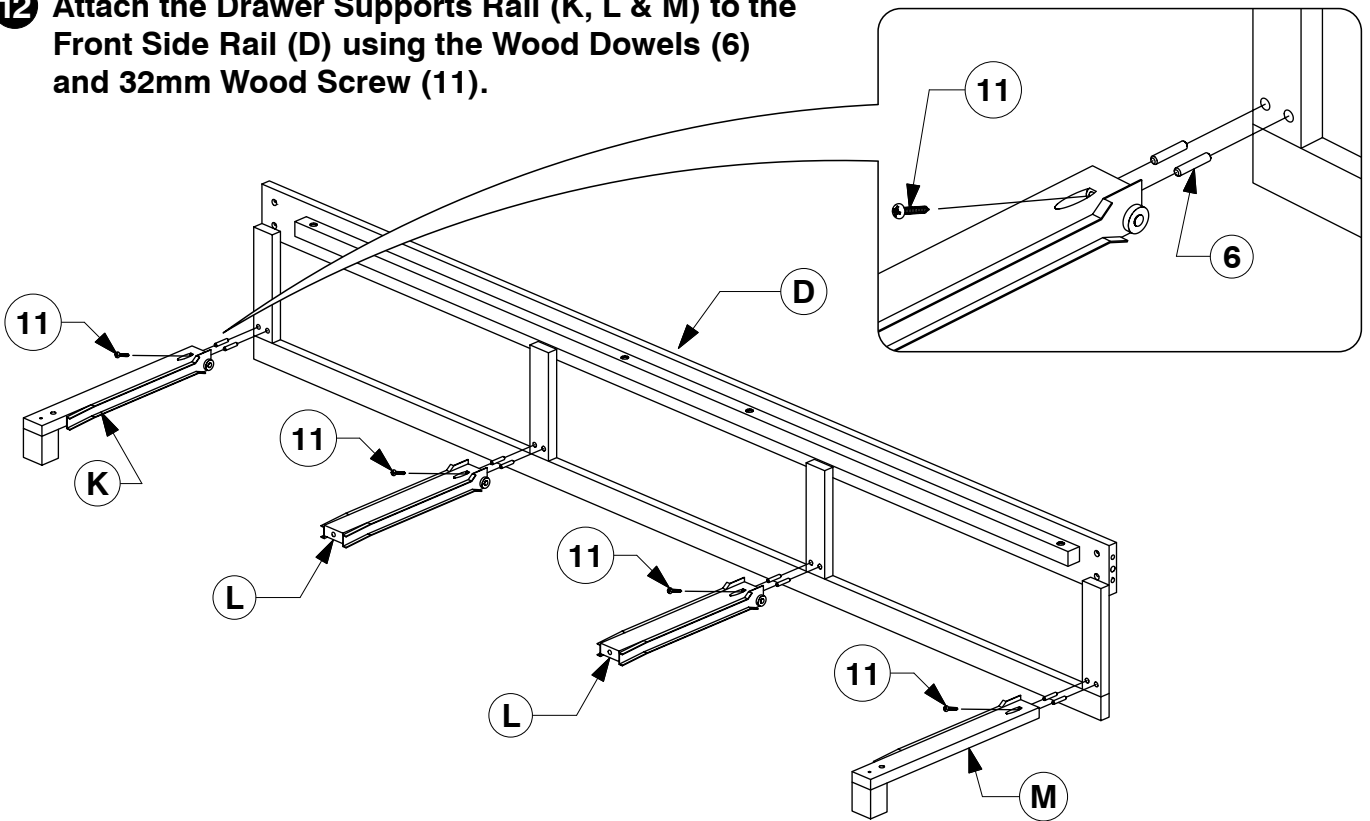
- 11** Assemble the Drawer Support Leg (J) to the Drawer Support Rail (K & M).



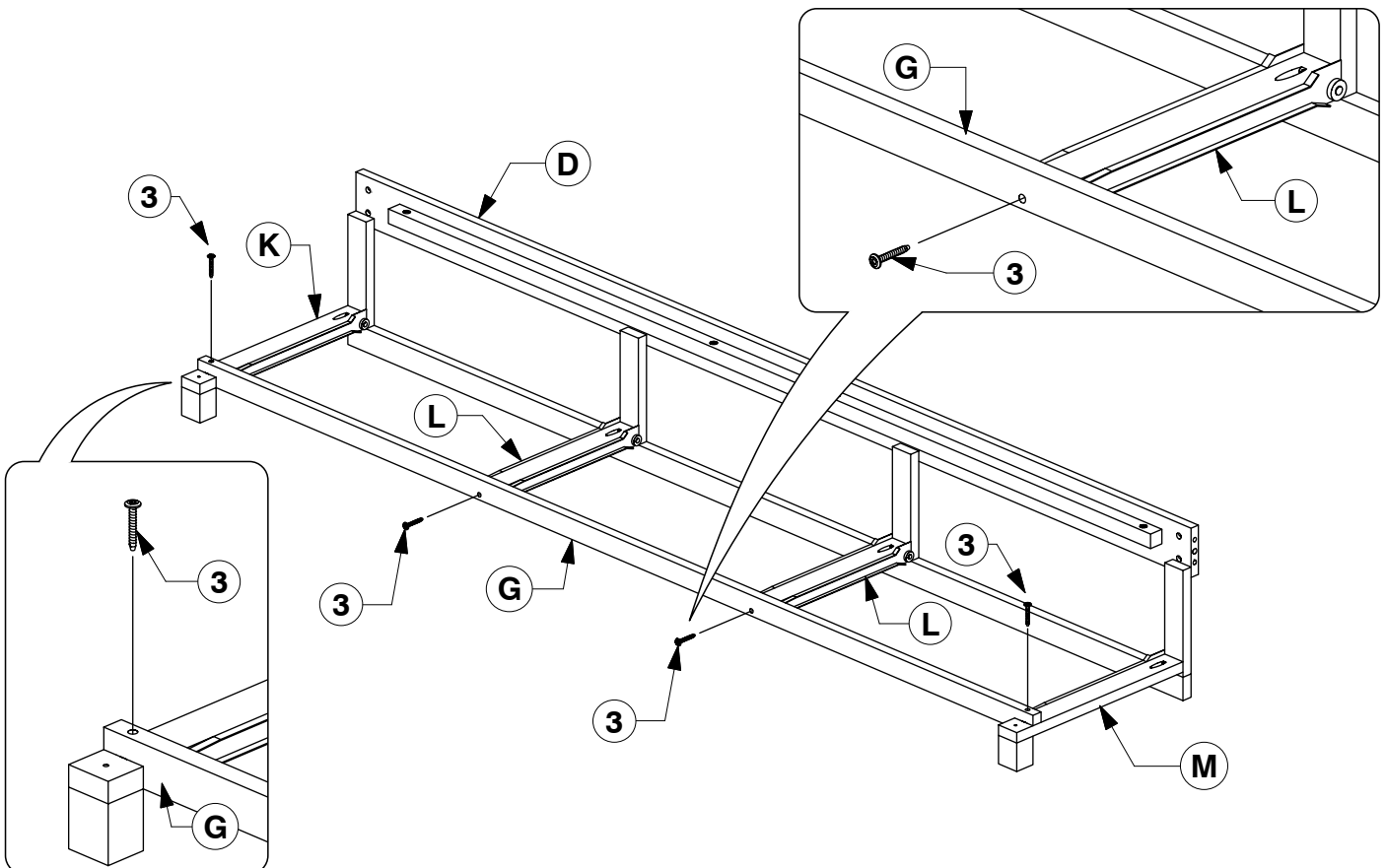
King Bed

Assembly Instructions

- 12** Attach the Drawer Supports Rail (K, L & M) to the Front Side Rail (D) using the Wood Dowels (6) and 32mm Wood Screw (11).



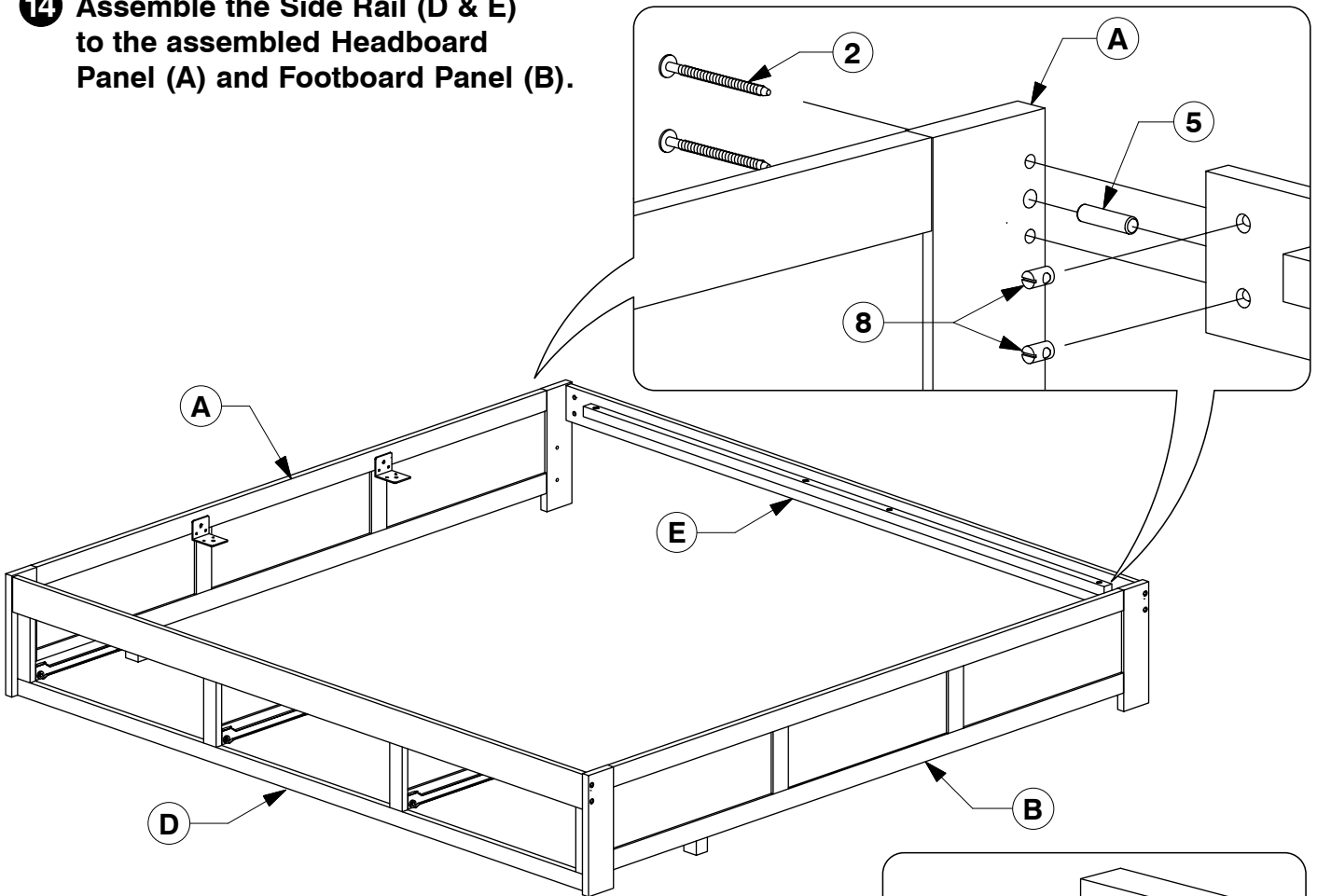
- 13** Bolt the Center Drawer Support (G) to the Drawer Support Rail (K, L & M).



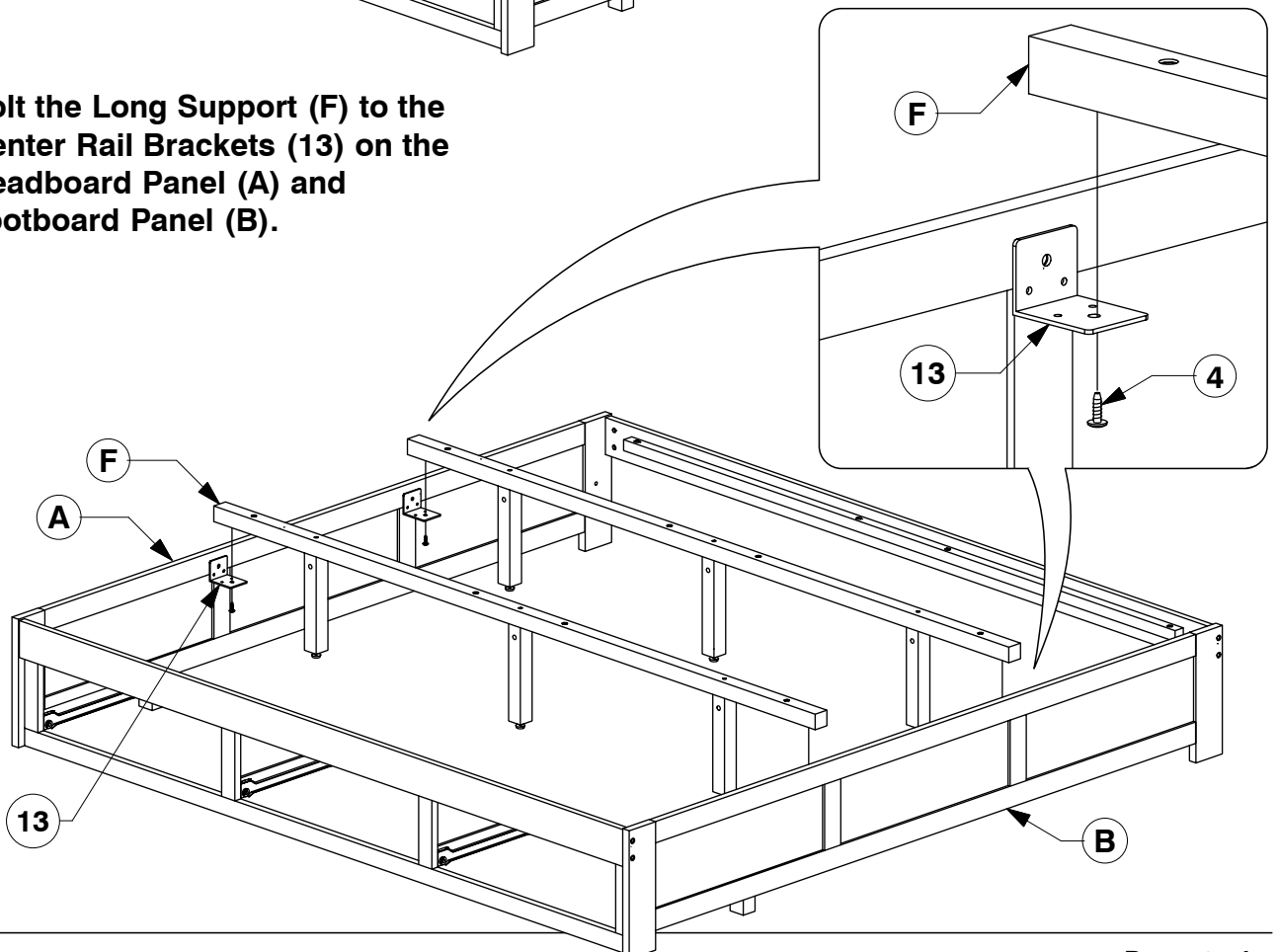
King Bed

Assembly Instructions

- 14** Assemble the Side Rail (D & E) to the assembled Headboard Panel (A) and Footboard Panel (B).



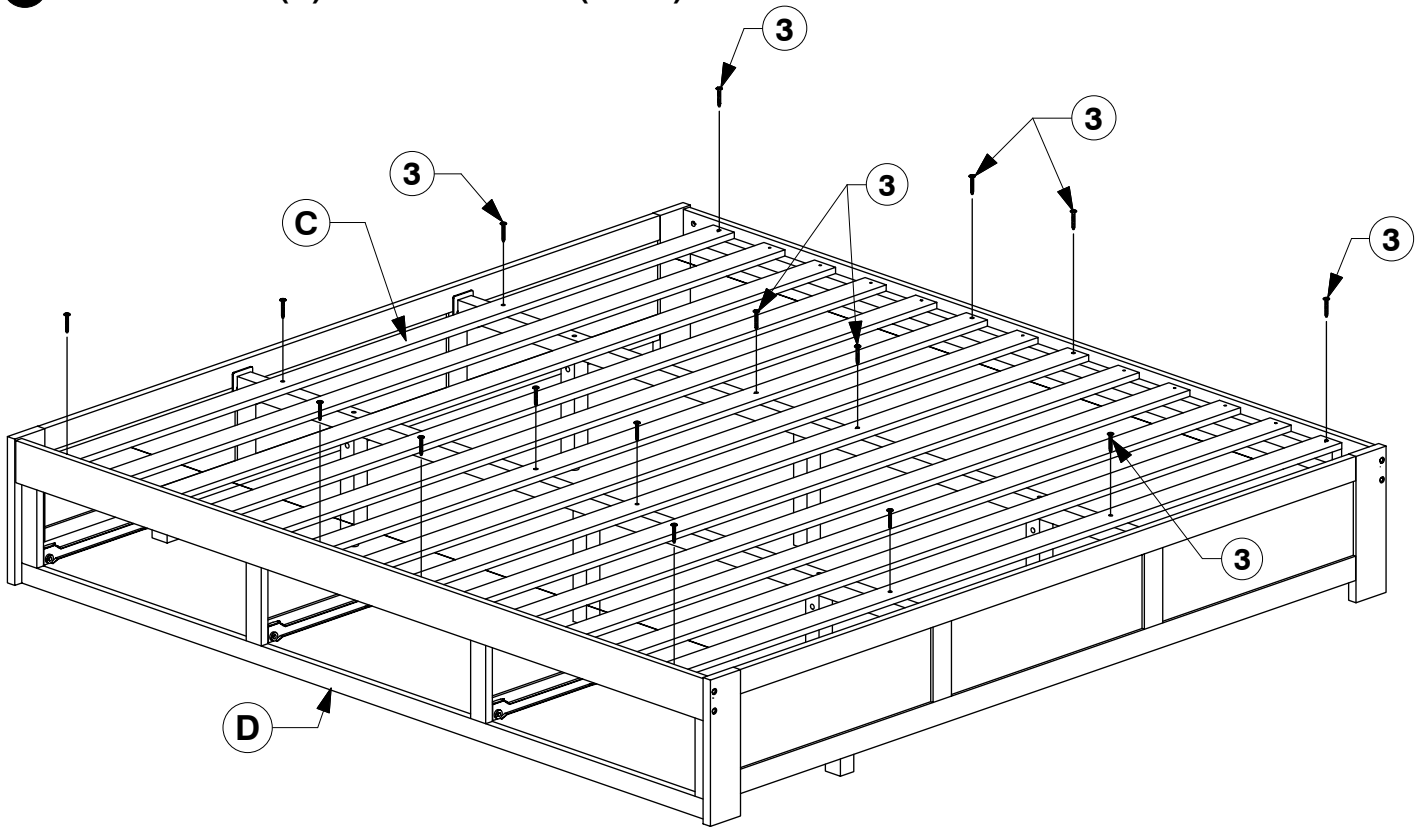
- 15** Bolt the Long Support (F) to the Center Rail Brackets (13) on the Headboard Panel (A) and Footboard Panel (B).



King Bed

Assembly Instructions

16 Bolt the Slats (C) to the Side Rail (D & E).



17 Screw the Slats (C) to the Side Rail (D & E).

Finally fit the assembled Drawers.

