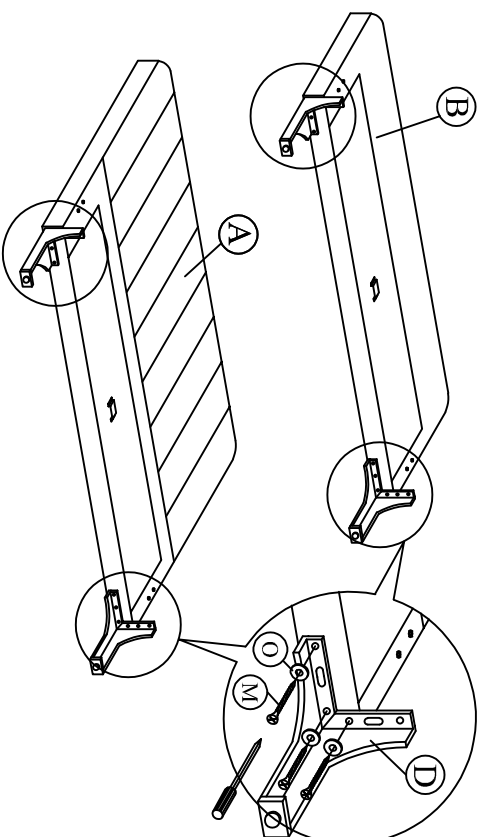


# ASSEMBLY INSTRUCTION

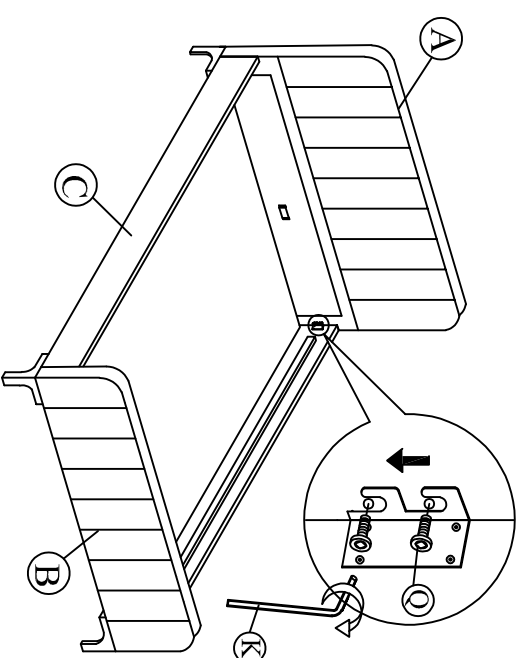
MODEL : CF 9198 (4'6")

|   |               |        |
|---|---------------|--------|
| A | Headboard     | 1 pc   |
| B | Footboard     | 1 pc   |
| C | Side Rail     | 2 pcs  |
| D | Leg           | 4 pcs  |
| E | Center Rail   | 1 pc   |
| F | Support Leg   | 2 pcs  |
| G | Slat          | 26 pcs |
| H | Middle Holder | 13 pcs |
| I | End Holder    | 26 pcs |
| J | JCBC M6 X 40  | 2 pcs  |
| K | M5 x 70mm     | 1 pc   |
| L | M4 x 65mm     | 1 pc   |
| M | CSK M4 x 25mm | 14 pcs |
| N | CSK M4 x 16mm | 4 pcs  |
| O | Flat Washers  | 12 pcs |
| P | Adjuster      | 2 pcs  |
| Q | JCBB NR X 20  | 8 pcs  |

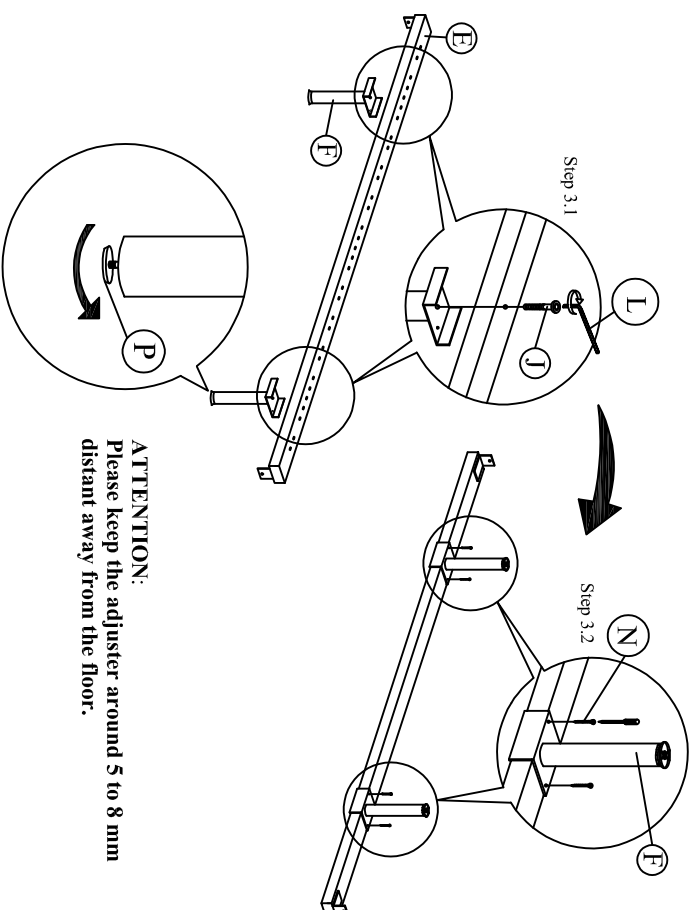
Step 1 : Tighten the legs (D) to both headboard (A) and footboard (B) as shown.



Step 2 : Attach side rail (C) to headboard (A) and footboard (B) by pushing the bracket down to fit it.

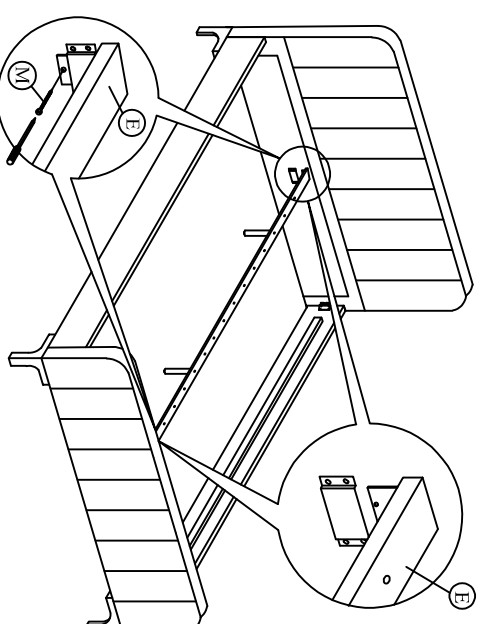


Step 3 : Attach the support legs (F) to the center rail (E) of the bed as shown.



**ATTENTION:**  
Please keep the adjuster around 5 to 8 mm distant away from the floor.

Step 4 : Slide the center rail (E) to the headboard (A) and footboard (B). Tighten screws (M) using screw driver (not included) to the headboard (A) and footboard (B).



**Attention :** Please ensure that (M) screw is being attach as per the A.1 shown to avoid base being collapse.

Step 5 : Tighten all the 4 corner, follow by assembly of the slat holders with L VL slats as shown.

