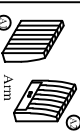
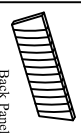
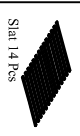




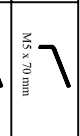
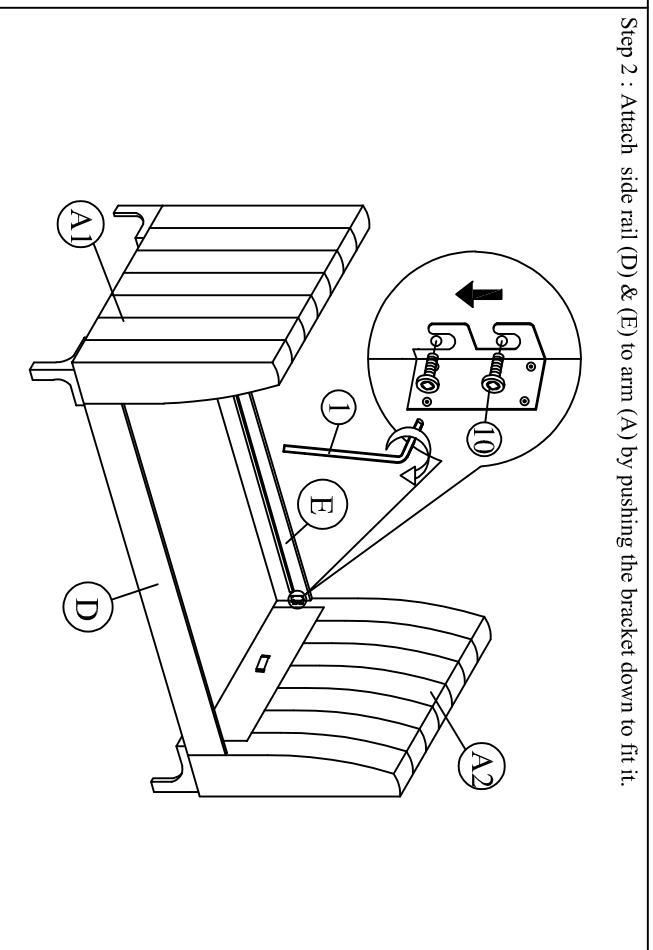
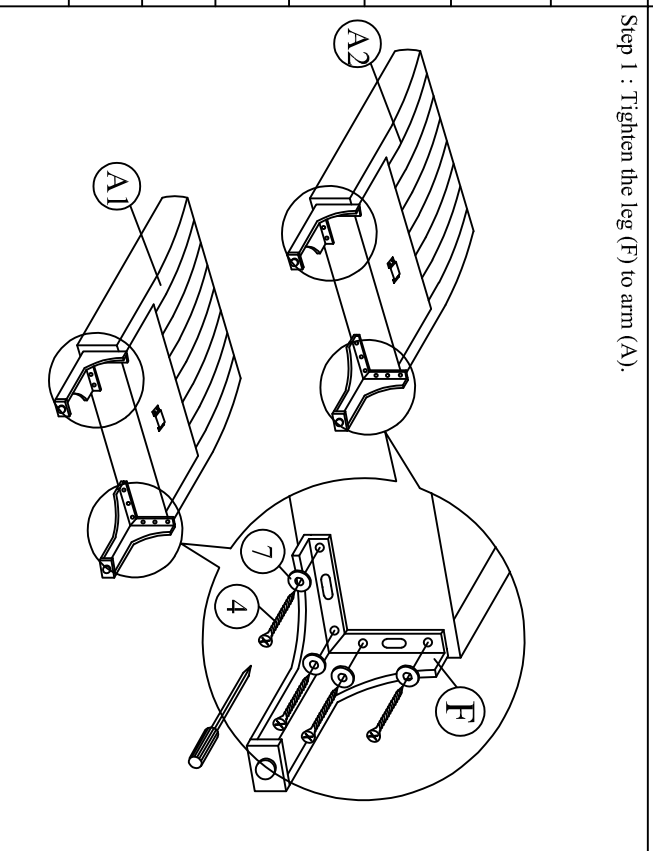
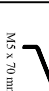
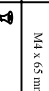

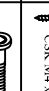

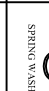

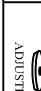





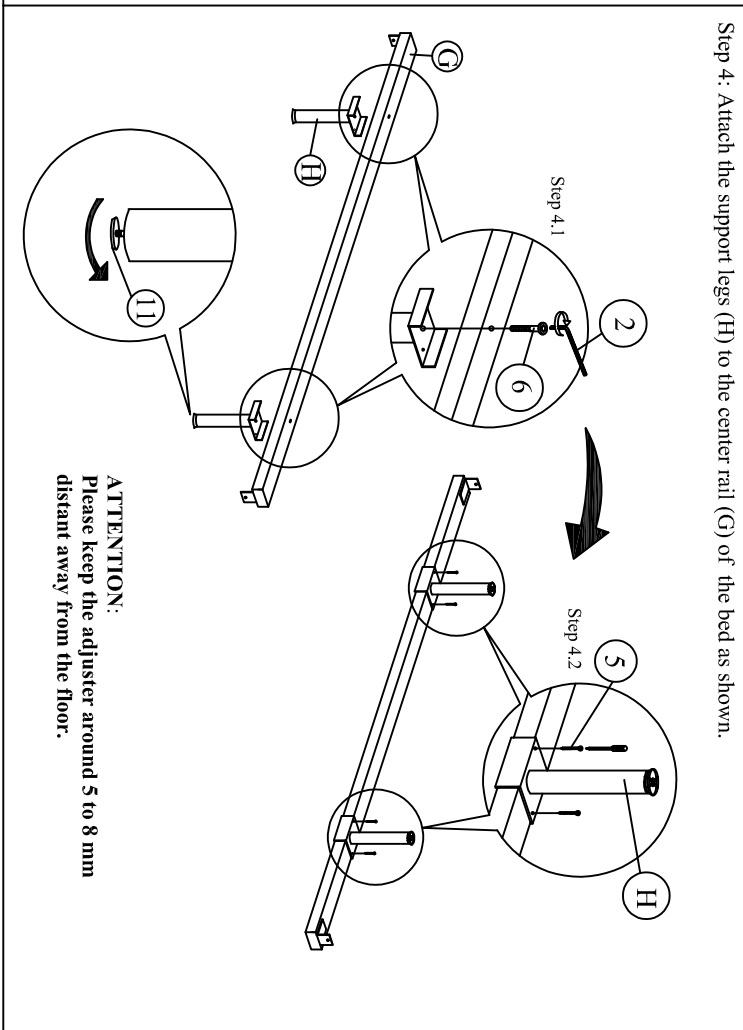
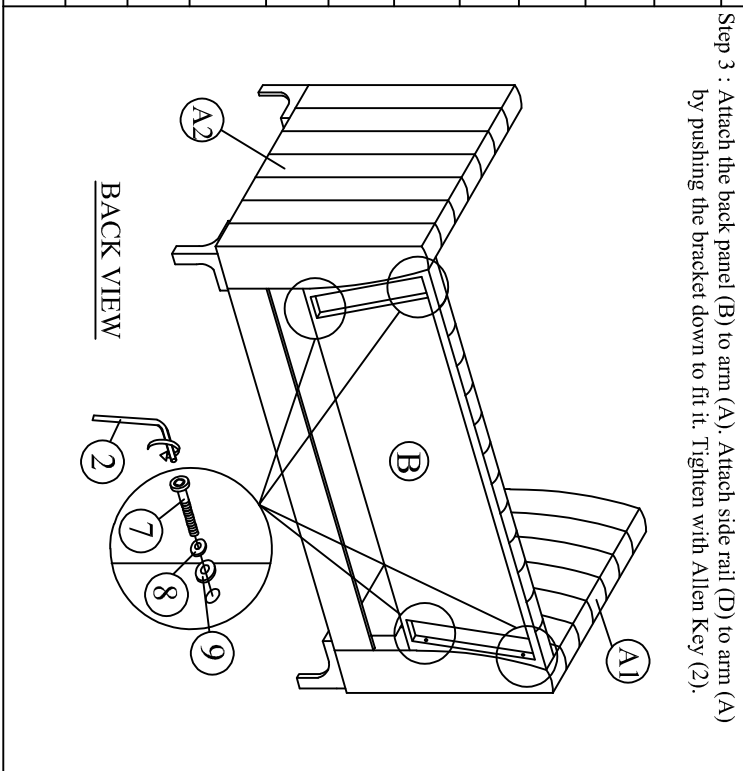
MODEL : CF 9191 (5)

ASSEMBLY INSTRUCTION

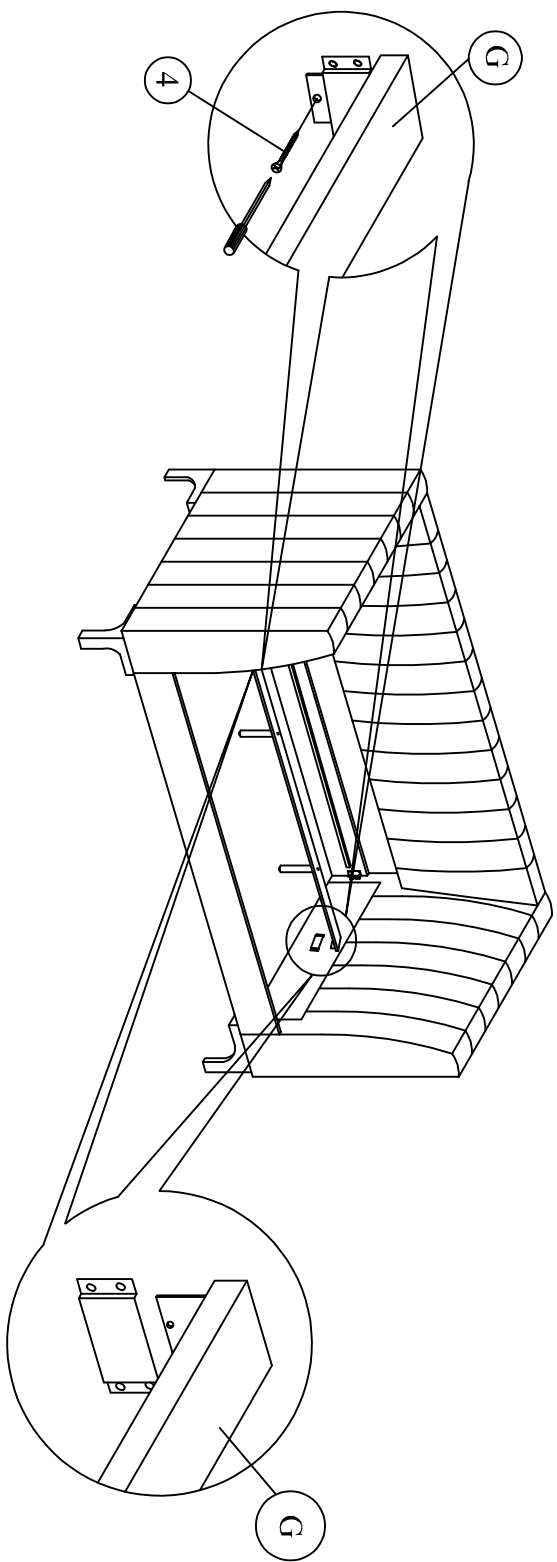
A		1 pc
B		1 pc
C		1 pc
D		1 pc
E		1 pc
F		4 pcs
G		1 pc
H		2 pcs



Packing Hardware		
1		1 pc
2		1 pc
3		31 pcs
4		18 pcs
5		4 pcs
6		2 pcs
7		4 pcs
8		4 pcs
9		20 pcs
10		8 pcs
11		2 pcs



Step 5 : Slide the center rail (G) to the arm (A). Tighten screws (4) using screw driver (not included) to the arm (A).



Step 6 : Tighten the slats with CSK screw (3). The distance of the slats should be sufficient to obtain desirable bed stability. Tighten all the 4 corner.

